



CONTACT US @ 855-355-2724

E-Mail: Sales@brahelectric.com

www.Brahelectric.com

PRODUCT DATA SHEET



BUS PLUGS

Picture is for reference only,
Actual Kit may vary slightly

PART NUMBER- GECLIP:

BRAH Electric direct replacement Hardware Parts, bus plug hardware, door latch assembly kit, suitable for direct fit and function with a variety of OEM General Electric low voltage enclosed switches from 30 amp up to 1200 amp, including all GE fusible and breaker type bus plugs, fusible panel board switches, disconnect safety switches and MCC buckets, additionally this latch kit is used with all BRAH Electric bus plug models, designed to latch the door into closed and locked position, assembly comes complete with door latch, tension spring and washers, depending on application may require additional riveting or mounting bolt for installation, this assembly is a direct substitute for OEM GE Industrial door latch kits.

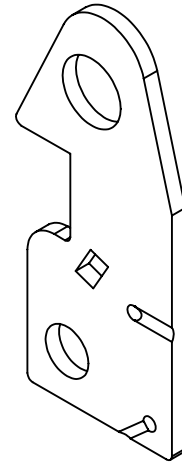
PRODUCT SPECIFICATIONS

Manufacturer	BRAH Electric
Sub-Category	Bus Plug Parts
Family	Universal
Type	GE
Type For	FVK, DH, DE, AC, SB, SL, BEK, BEH, BEE, BEC, BEB, BEL
Group	Hardware Parts
OEM Manufacturer	General Electric
Amperage Min	30
Amperage Max	1200

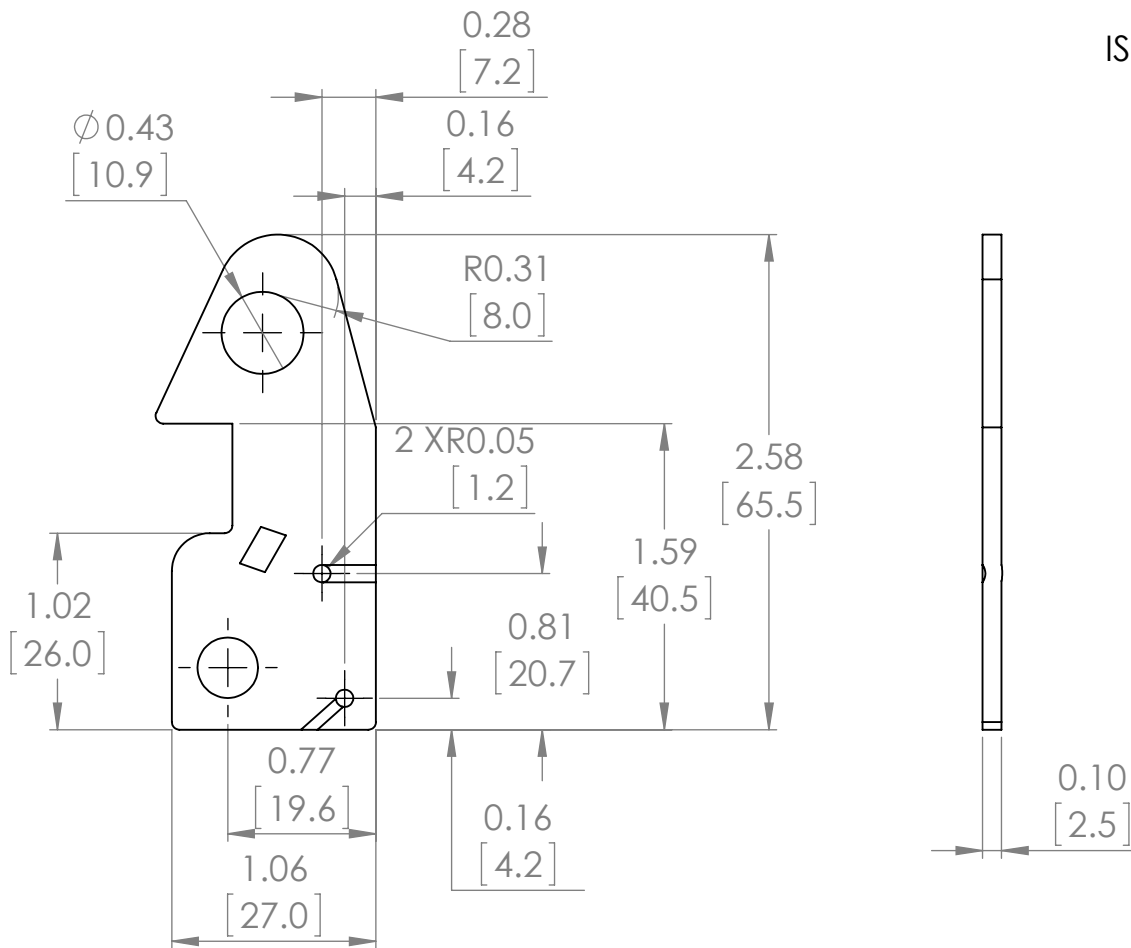
Warranty: All Products sold by BRAH Electric are guaranteed to be free of defect for a period of two years, under the condition that the product has been installed and operated properly. All items proven defective within the one year period will be replaced by BRAH Electric. In the event that we cannot provide a direct replacement, your monies will be refunded in full. We are not responsible for any consequential losses or damages outside of the defective product as well as any replacements or repairs performed by another party without our written authorization from BRAH Electric.

REVISIONS

ZONE	REV.	DESCRIPTION	DATE	APPROVED
------	------	-------------	------	----------



ISO VIEW

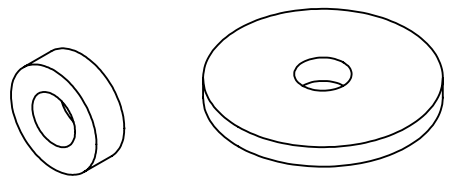


* NOTE: BRAH ELECTRIC BUS PLUG PARTS ARE A DIRECT REPLACEMENT FOR DOOR LATCH ASSEMBLY KIT FOR GENERAL ELECTRIC SWITCHES, SUITABLE FOR USE WITH ALL GE FUSIBLE AND BREAKER TYPE BUS PLUGS OR FUSIBLE PANEL BOARD SWITCHES

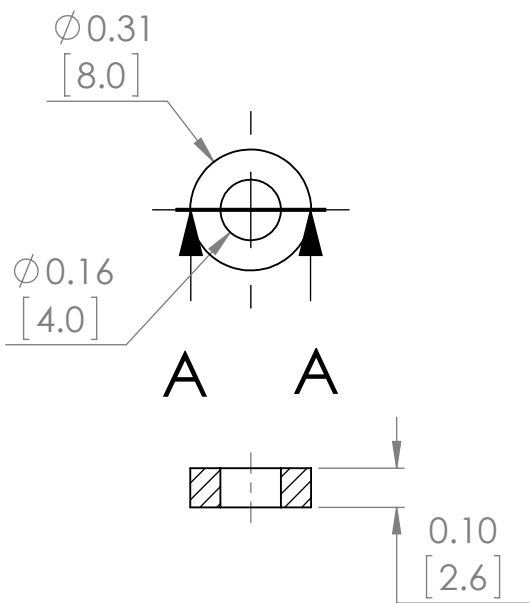
WWW.BRAHELECTRIC.COM, 855-355-2724

<p>THIRD ANGLE PROJECTION</p>	UNLESS OTHERWISE NOTED ALL DIMENSIONS ARE IN INCHES METRIC UNITS ARE DISPLAYED BENEATH IN [MM.]				
	PROPRIETARY AND CONFIDENTIAL THE INFORMATION CONTAINED IN THIS DRAWING IS THE SOLE PROPERTY OF BRAH ELECTRIC. ANY REPRODUCTION IN PART OR AS A WHOLE WITHOUT THE WRITTEN PERMISSION OF BRAH ELECTRIC IS PROHIBITED.				NEUTRAL KITS
MATERIAL		FINISH		SIZE A	DWG. NO.
DO NOT SCALE DRAWING		N/A		GECLIP	REV. A
SCALE: 1:1		WEIGHT:		SHEET 1 OF 3	

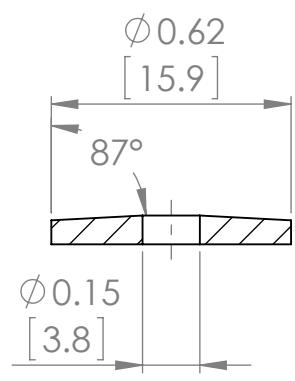
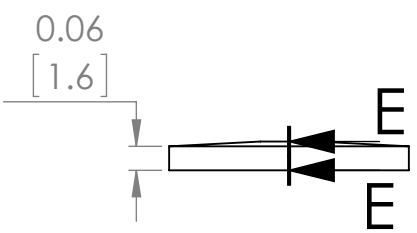
REVISIONS				
ZONE	REV.	DESCRIPTION	DATE	APPROVED



ISO VIEW



SECTION A-A
SCALE 2 : 1



SECTION E-E

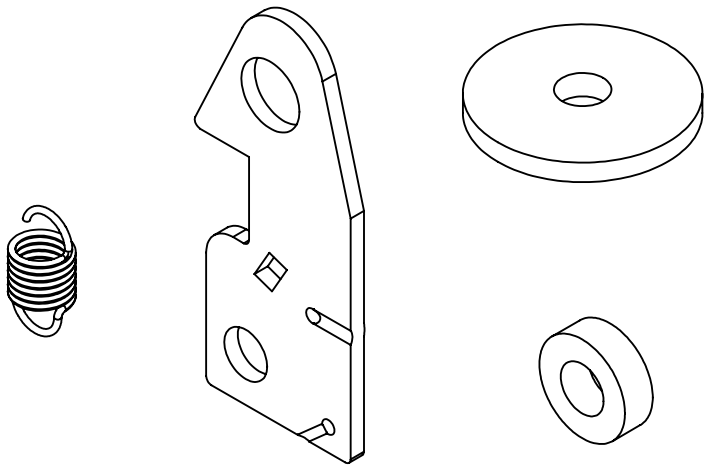
* NOTE: BRAH ELECTRIC BUS PLUG PARTS ARE A DIRECT REPLACEMENT FOR DOOR LATCH ASSEMBLY KIT FOR GENERAL ELECTRIC SWITCHES, SUITABLE FOR USE WITH ALL GE FUSIBLE AND BREAKER TYPE BUS PLUGS OR FUSIBLE PANEL BOARD SWITCHES

WWW.BRAHELECTRIC.COM, 855-355-2724

 THIRD ANGLE PROJECTION	UNLESS OTHERWISE NOTED	 NEUTRAL KITS
	ALL DIMENSIONS ARE IN INCHES METRIC UNITS ARE DISPLAYED BENEATH IN [MM.]	
PROPRIETARY AND CONFIDENTIAL THE INFORMATION CONTAINED IN THIS DRAWING IS THE SOLE PROPERTY OF BRAH ELECTRIC. ANY REPRODUCTION IN PART OR AS A WHOLE WITHOUT THE WRITTEN PERMISSION OF BRAH ELECTRIC IS PROHIBITED.	MATERIAL	GECLIP
	FINISH N/A	
	DO NOT SCALE DRAWING	SIZE A DWG. NO. REV. A SCALE:2:1 WEIGHT: SHEET 2 OF 3

REVISIONS

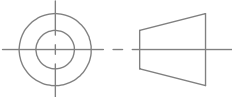

ZONE	REV.	DESCRIPTION	DATE	APPROVED
------	------	-------------	------	----------



ISO VIEW

* NOTE: BRAH ELECTRIC BUS PLUG PARTS ARE A DIRECT REPLACEMENT FOR DOOR LATCH ASSEMBLY KIT FOR GENERAL ELECTRIC SWITCHES, SUITABLE FOR USE WITH ALL GE FUSIBLE AND BREAKER TYPE BUS PLUGS OR FUSIBLE PANEL BOARD SWITCHES

WWW.BRAHELECTRIC.COM, 855-355-2724

 <p>THIRD ANGLE PROJECTION</p>	<p>UNLESS OTHERWISE NOTED ALL DIMENSIONS ARE IN INCHES METRIC UNITS ARE DISPLAYED BENEATH IN [MM.]</p>		 <p>BRAH Electric</p>		
	<p>PROPRIETARY AND CONFIDENTIAL THE INFORMATION CONTAINED IN THIS DRAWING IS THE SOLE PROPERTY OF BRAH ELECTRIC. ANY REPRODUCTION IN PART OR AS A WHOLE WITHOUT THE WRITTEN PERMISSION OF BRAH ELECTRIC IS PROHIBITED.</p>				<p>NEUTRAL KITS</p>
<p>MATERIAL</p>		<p>FINISH</p> <p>N/A</p>		<p>SIZE A DWG. NO. GECLIP REV. A</p>	
<p>DO NOT SCALE DRAWING</p>		<p>SCALE:2:1</p>	<p>WEIGHT:</p>	<p>SHEET 3 OF 3</p>	