

PRODUCT DATA SHEET



Definite Purpose Contactor



ANSI/UL 508 Recognized component

UL File : E486769

ELITE SERIES

PART NUMBER – BDP2P20AXX(X)V

BRAH Electric UL approved, Definite purpose contactor, type BDP, Single phase, 2 Pole, 20 amp, screw style terminal connection, complete with AC 50/60Hz coil; auxiliary contacts and selector switches sold separately.

PART NUMBER LEGEND

BDP2P20AXX(X)V

XX(X) V – Represents coil Voltage Rating
24 V
120 V
240 V
277 V
380 V
480 V

(i.e. BDP2P20A120V)

Mechanical Data

Contact Termination:

20 FLA (Full Load Ampere) Models

Type: #10-32 Screw with quad 0.250" (6.35mm) quick connects

Wire Size: 16-8 AWG (Stranding must be split for 8AWG wire)

Tightening Torque: 25 in.-lbs.

NOTE: Contactor with terminals of two-piece design are shipped with terminal screws left "up" to facilitate customer wiring. The customer must tighten the screws to the specified torque to achieve a reliable electric connection.

Contact Ratings

FULL LOAD AMPS	NUMBER OF POLES	LINE VOLTAGE	LOCKED ROTOR AMPS	RESISTIVE AMPS RATING	MAXIMUM HORSEPOWER	
					VOLTAGE	SINGLE PHASE
20	2	240/277	120	30	120	2
		480	100	30	240	3
		600	80	30		

Coil Data

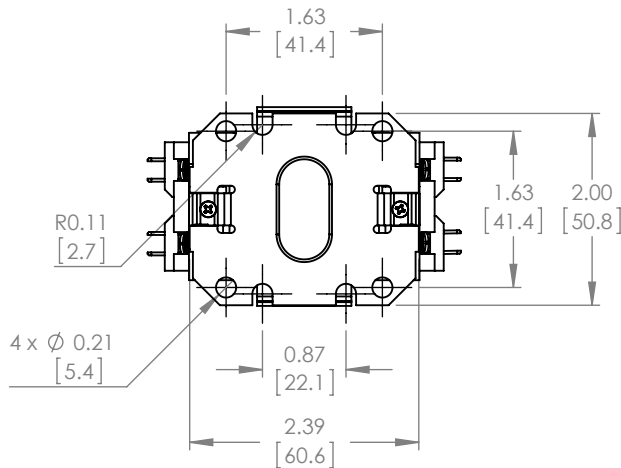
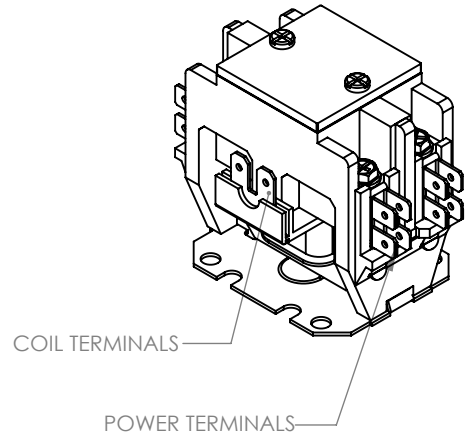
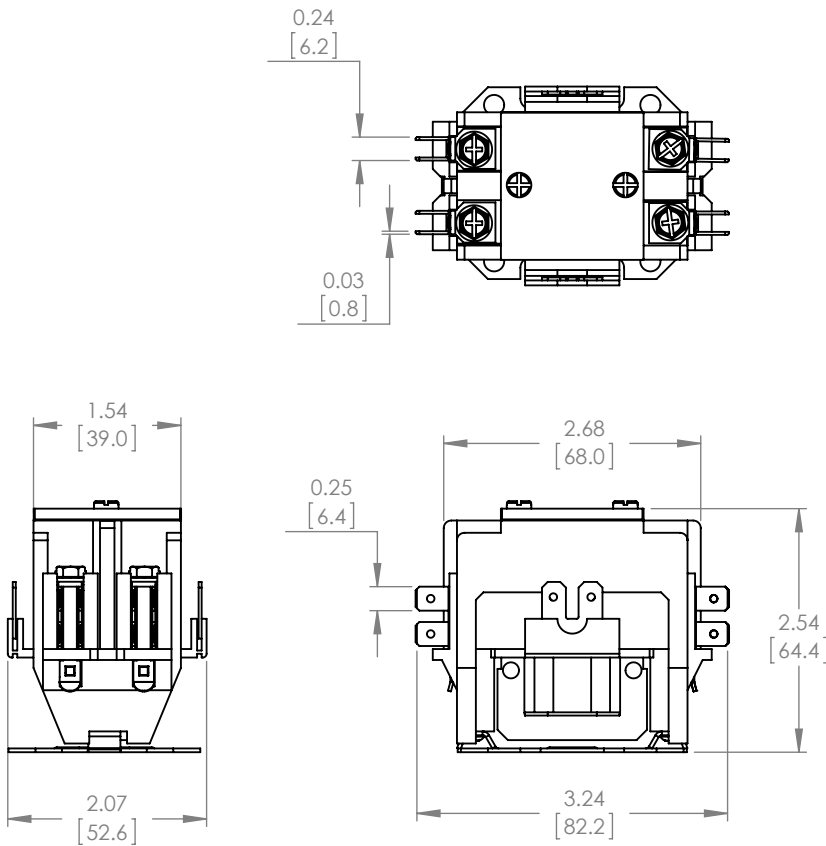
	2-POLE MODELS					
Nominal Coil Voltage	24	120	208/240	277	380	480
Maximum Pickup Volts	18	88	177	221	-	-
Drop-Out Volts Range	6-15	20-70	40-140	50-165	-	-
Nominal Inrush VA@50 Hz	37	37	37	37	-	-
Nominal Inrush VA@60 Hz	35	35	35	35	-	-
Nominal Sealed VA@50 Hz	8	8	8	8	-	-
Nominal Sealed VA@60 Hz	7	7	7	7	-	-
Nominal DC Resistance-Ohms	11	250	1000	1600	-	-

Warranty: All Products sold by BRAH Electric are guaranteed to be free of defect for a period of two years, under the condition that the product has been installed and operated properly. All items proven defective within the two year period will be replaced by BRAH Electric. We are not responsible for any consequential losses or damages outside of defective product as well as any replacements or repairs performed by another party without a written authorization from BRAH Electric.

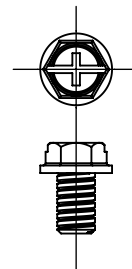
PRODUCT DIMENSIONS

REVISIONS

ZONE	REV.	DESCRIPTION	DATE	APPROVED
------	------	-------------	------	----------



Termination



Standard on 20 FLA
#10-32 Combination Phillips,
slotted & 5/16 Hex Head
#12 Washer

WWW.BRAHELECTRIC.COM, 855-355-2724

<p>THIRD ANGLE PROJECTION</p>	<p>UNLESS OTHERWISE NOTED ALL DIMENSIONS ARE IN INCHES METRIC UNITS ARE DISPLAYED BENEATH IN [MM.]</p>		
	<p>MATERIAL MOLDED PLASTIC CASE</p>		
<p>PROPRIETARY AND CONFIDENTIAL THE INFORMATION CONTAINED IN THIS DRAWING IS THE SOLE PROPERTY OF BRAH ELECTRIC. ANY REPRODUCTION IN PART OR AS A WHOLE WITHOUT THE WRITTEN PERMISSION OF BRAH ELECTRIC IS PROHIBITED.</p>	<p>FINISH</p>	<p>SIZE A DWG. NO. BDP2P20AXX(X)V</p>	<p>REV. A</p>
<p>DO NOT SCALE DRAWING</p>	<p>SCALE: 1:2</p>	<p>WEIGHT:</p>	<p>SHEET 1 OF 1</p>