

PRODUCT DATA SHEET



Definite Purpose Contactor



ANSI/UL 508 Recognized component

UL File : E486769

**Mechanical Data**

**Contact Termination:**

60 FLA (Full Load Ampere) Models

**Type:** Box lug with dual 0.250" (6.35mm) quick connects

**Wire Size:** 14-2 Cu/Al AWG

**Tightening Torque:** 50 in.- lbs.

**NOTE:** Contactor with terminals of two-piece design are shipped with terminal screws left "up" to facilitate customer wiring. The customer must tighten the screws to the specified torque to achieve a reliable electric connection.

**Contact Ratings**

FULL LOAD AMPS	NUMBER OF POLES	LINE VOLTAGE	LOCKED ROTOR AMPS	RESISTIVE AMPS RATING	MAXIMUM HORSEPOWER		
					VOLTAGE	SINGLE PHASE	THREE PHASE
60	3	240	360	75	-	110/120	5
		480	300	75	53	200/208	7.5
		600	240	75	-	240/277	10
						480	-
						600	-

**Coil Data**

	3-POLE MODELS					
Nominal Coil Voltage	24	120	208/240	277	380	480
Maximum Pickup Volts	182	93	177	235	-	374
Drop-Out Volts Range	6-15	20-70	40-135	50-180	-	120-286
Nominal Inrush VA@50 Hz	140	140	140	140	-	140
Nominal Inrush VA@60 Hz	132	132	132	132	-	132
Nominal Sealed VA@50 Hz	20	20	20	20	-	20
Nominal Sealed VA@60 Hz	14	14	14	14	-	14
Nominal DC Resistance-Ohms	2.4	45	180	280	-	852

**Warranty:** All Products sold by BRAH Electric are guaranteed to be free of defect for a period of two years, under the condition that the product has been installed and operated properly. All items proven defective within the two year period will be replaced by BRAH Electric. We are not responsible for any consequential losses or damages outside of defective product as well as any replacements or repairs performed by another party without a written authorization from BRAH Electric.

**ELITE SERIES**

**PART NUMBER – BDP3P60AXX(X)V**

BRAH Electric UL approved, Definite purpose contactor, type BDP, Three phase, 3 Pole, 60 amp, Lug style terminal connection, complete with AC 50/60Hz coil; auxiliary contacts and selector switches sold separately.

**PART NUMBER LEGEND**

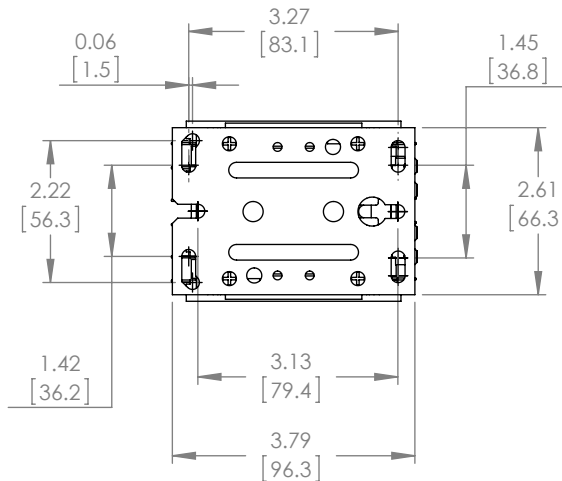
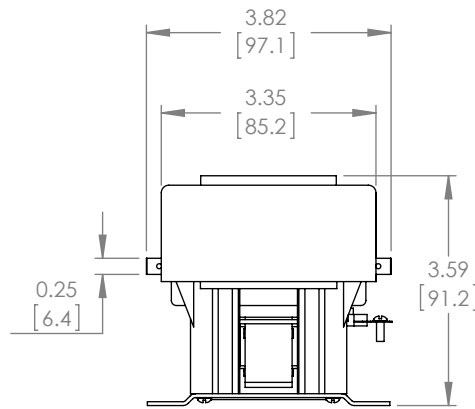
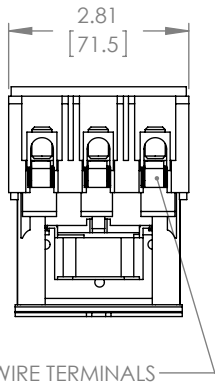
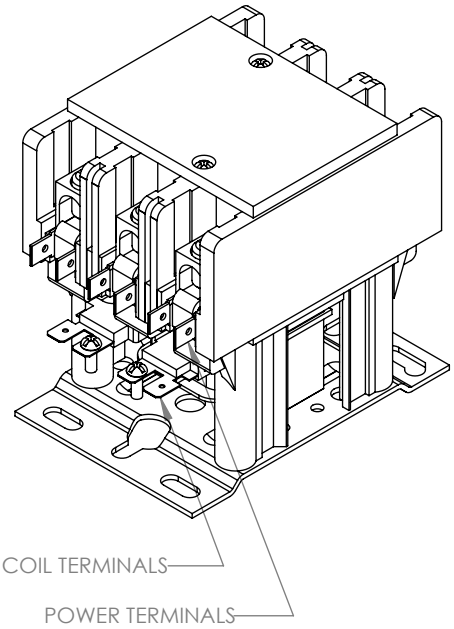
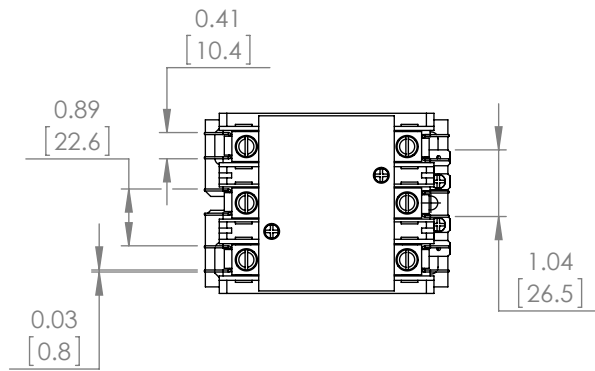
**BDP3P60AXX(X)V**

XX(X) V – Represents coil Voltage Rating
24 V
120 V
240 V
277 V
380 V
480 V

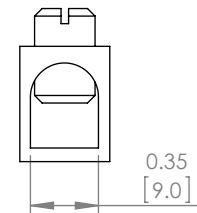
(i.e. BDP3P60A120V)

PRODUCT DIMENSIONS

REVISIONS				
ZONE	REV.	DESCRIPTION	DATE	APPROVED



Termination



Standard on 60 FLA  
Lug accepts 14-2  
Cu/Al AWG

[WWW.BRAHELECTRIC.COM](http://WWW.BRAHELECTRIC.COM), 855-355-2724

<p>THIRD ANGLE PROJECTION</p>	<p>UNLESS OTHERWISE NOTED ALL DIMENSIONS ARE IN INCHES METRIC UNITS ARE DISPLAYED BENEATH IN [ MM. ]</p>			
	<p><b>PROPRIETARY AND CONFIDENTIAL</b> THE INFORMATION CONTAINED IN THIS DRAWING IS THE SOLE PROPERTY OF BRAH ELECTRIC. ANY REPRODUCTION IN PART OR AS A WHOLE WITHOUT THE WRITTEN PERMISSION OF BRAH ELECTRIC IS PROHIBITED.</p>	<p>MATERIAL MOLDED PLASTIC CASE</p>	<p>DEFINITE PURPOSE CONTACTOR</p>	
	<p>FINISH N/A</p>	<p>SIZE <b>A</b></p>	<p>DWG. NO. BDP3P60AXX(X)V</p>	<p>REV. <b>A</b></p>
	<p>DO NOT SCALE DRAWING</p>	<p>SCALE:1:2</p>	<p>WEIGHT:</p>	<p>SHEET 1 OF 1</p>