

PRODUCT DATA SHEET



Definite Purpose Contactor



ANSI/UL 508 Recognized component

UL File : E486769

Mechanical Data

Contact Termination:

40 FLA (Full Load Ampere) Models

Type: Box Lug with dual 0.250" (6.35mm) quick connects

Wire Size: 14-4 Cu/Al AWG

Tightening Torque: 40 in.- lbs.

NOTE: Contactor with terminals of two-piece design are shipped with terminal screws left "up" to facilitate customer wiring. The customer must tighten the screws to the specified torque to achieve a reliable electric connection.

Contact Ratings

FULL LOAD AMPS	NUMBER OF POLES	LINE VOLTAGE	LOCKED ROTOR AMPS	RESISTIVE AMPS RATING	MAXIMUM HORSEPOWER		
					VOLTAGE	SINGLE PHASE	THREE PHASE
40	4	240/277	240	50	110/120	3	-
		480	200	50	200/208	-	10
		600	160	50	240/277	7.5	10
					480	-	20

Coil Data

	4-POLE MODELS					
Nominal Coil Voltage	24	120	208/240	277	380	480
Maximum Pickup Volts	19.2	93	177	220	-	384
Drop-Out Volts Range	6-15	20-70	40-140	50-185	-	150-270
Nominal Inrush VA@50 Hz	68	68	68	58	-	48
Nominal Inrush VA@60 Hz	60	60	60	52	-	52
Nominal Sealed VA@50 Hz	14	14	14	11	-	11
Nominal Sealed VA@60 Hz	9	9	9.5	9.5	-	9
Nominal DC Resistance-Ohms	5	148	520	750	-	2700

Warranty: All Products sold by BRAH Electric are guaranteed to be free of defect for a period of two years, under the condition that the product has been installed and operated properly. All items proven defective within the two year period will be replaced by BRAH Electric. We are not responsible for any consequential losses or damages outside of defective product as well as any replacements or repairs performed by another party without a written authorization from BRAH Electric.

ELITE SERIES

PART NUMBER – BDP4P40AXX(X)V

BRAH Electric UL approved, Definite purpose contactor, type BDP, Three phase, 4 Pole, 40 amp, Lug style terminal connection, complete with AC 50/60Hz coil; auxiliary contacts and selector switches sold separately.

PART NUMBER LEGEND

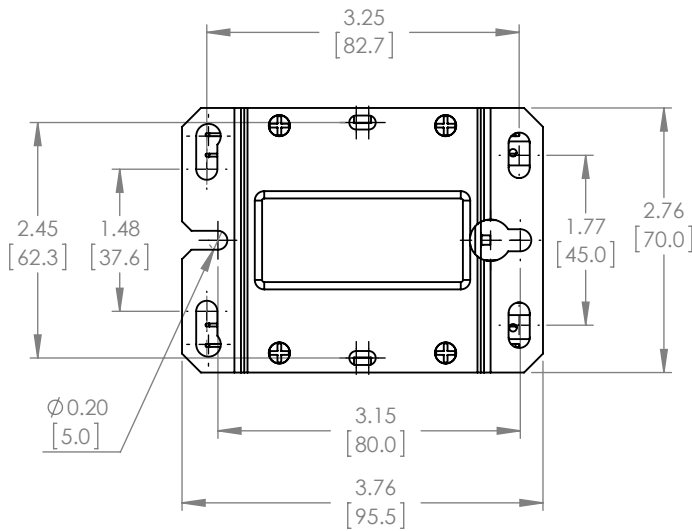
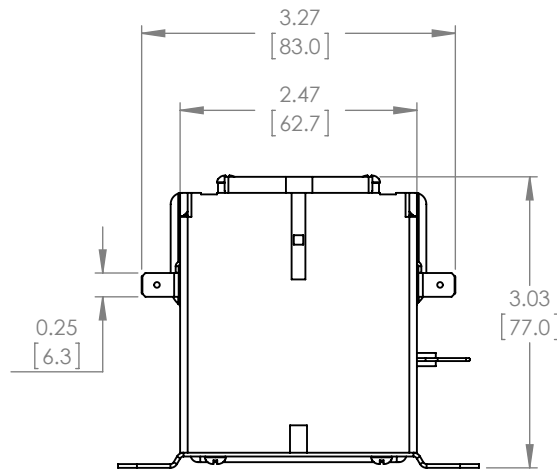
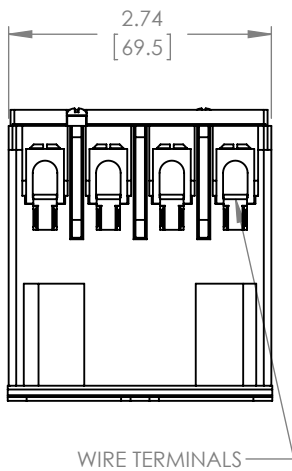
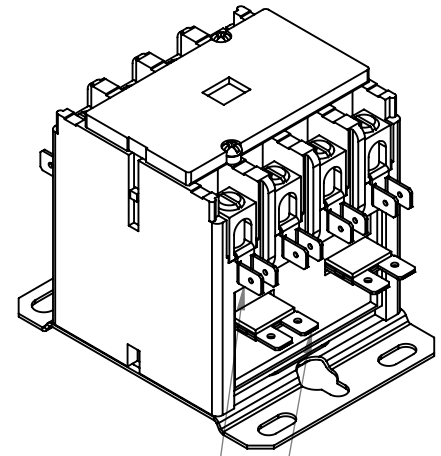
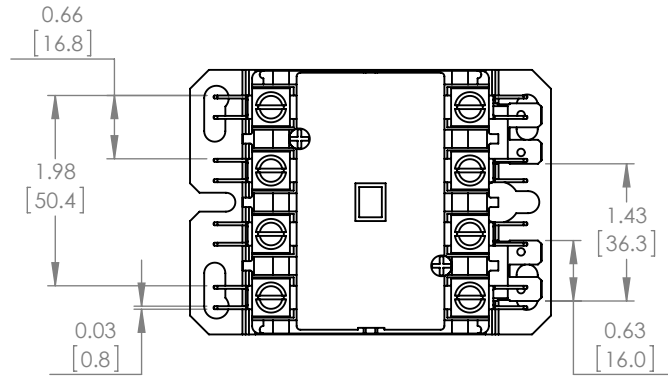
BDP4P40AXX(X)V

XX(X) V – Represents coil Voltage Rating
24 V
120 V
240 V
277 V
380 V
480 V

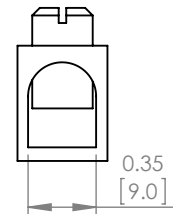
(i.e. BDP4P40A120V)

PRODUCT DIMENSIONS

REVISIONS				
ZONE	REV.	DESCRIPTION	DATE	APPROVED



Termination



Standard on 40 FLA
Lug accepts 14-4
Cu/Al AWG

WWW.BRAHELECTRIC.COM, 855-355-2724

<p>THIRD ANGLE PROJECTION</p>	<p>UNLESS OTHERWISE NOTED ALL DIMENSIONS ARE IN INCHES METRIC UNITS ARE DISPLAYED BENEATH IN [MM.]</p>			
	<p>PROPRIETARY AND CONFIDENTIAL THE INFORMATION CONTAINED IN THIS DRAWING IS THE SOLE PROPERTY OF BRAH ELECTRIC. ANY REPRODUCTION IN PART OR AS A WHOLE WITHOUT THE WRITTEN PERMISSION OF BRAH ELECTRIC IS PROHIBITED.</p>			<p>MATERIAL MOLDED PLASTIC CASE</p> <p>FINISH N/A</p> <p>DO NOT SCALE DRAWING</p>
<p>SIZE A DWG. NO. BDP4P40AXX(X)V</p>		<p>SCALE:1:2</p>	<p>WEIGHT:</p>	<p>REV. A</p> <p>SHEET 1 OF 1</p>