



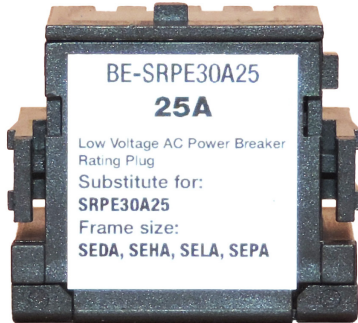
CONTACT US

855.355.2724

E-Mail: sales@brahelectric.com

[www.brahelectric.com](http://www.brahelectric.com)

## PRODUCT DATA SHEET



### PART NUMBER – BE-SRPE30A25

BE-SRPE30A25, 25A rating plug, type SRPE for use with 30A CT sensor rating. Direct substitute for General Electric Spectra Series interchangeable rating plug element SRPE30A25. Suitable for use with Spectra RMS trip devices. Compatible with SEDA, SEHA, SELA, SEPA circuit breaker frame types.

#### RATING PLUGS

PART NO. BE-SRPE30A25

#### RATING PLUG INST. ADJUST RANGE

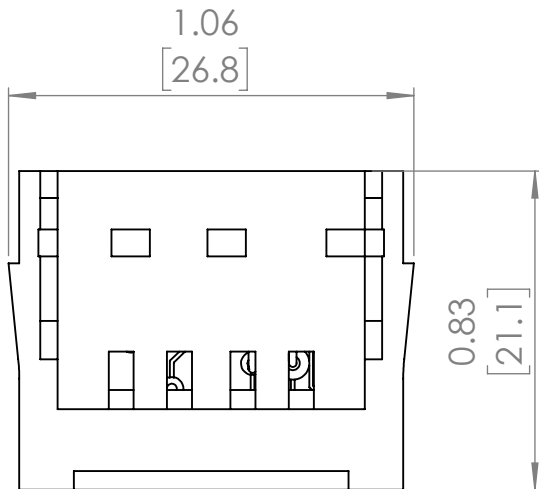
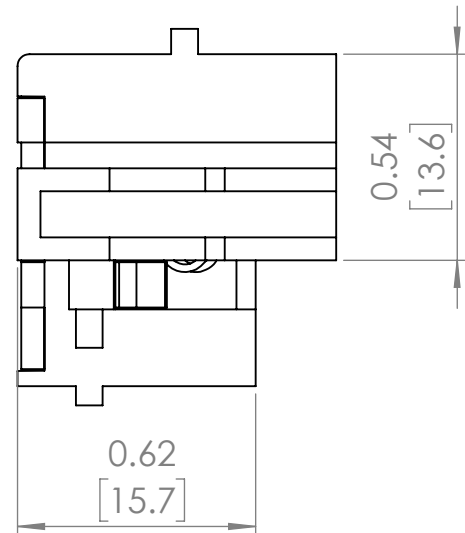
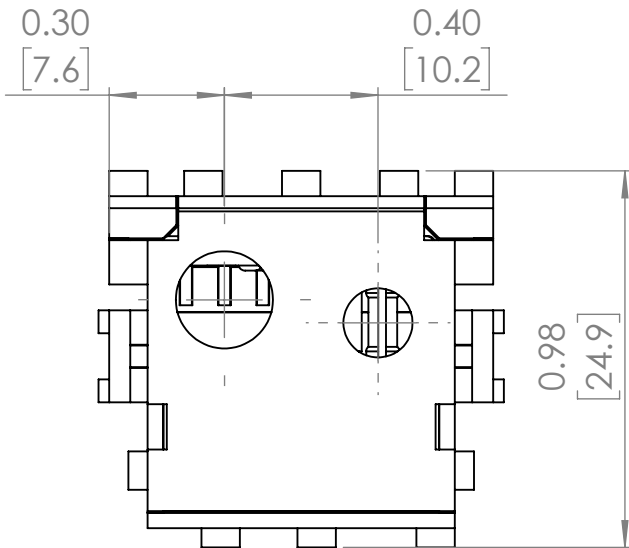
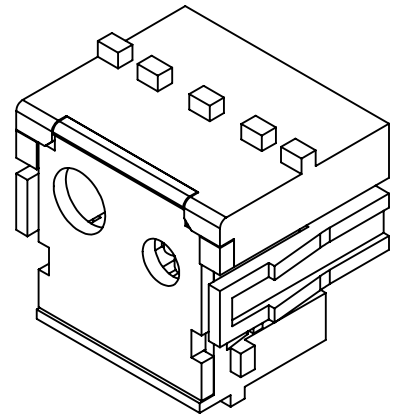
LOW – 73A	193A
93A	253A
117A	HI – 332A
147A	

#### PRODUCT SPECIFICATIONS

Manufacturer	BRAH Electric
Sub-Category	Rating Plugs
Family	Spectra Series
Type	SRPE
For Frame Size	SEDA, SEHA, SELA, SEPA
OEM Manufacturer	General Electric
OEM Part No.	SRPE30A25
Amperage Max	25
Trip Type	Spectra RMS
SAmp	30
PAmp	25

**Warranty:** All Products sold by BRAH Electric are guaranteed to be free of defect for a period of two years, under the condition that the product has been installed and operated properly. All items proven defective within the one year period will be replaced by BRAH Electric. In the event that we cannot provide a direct replacement, your monies will be refunded in full. We are not responsible for any consequential losses or damages outside of the defective product as well as any replacements or repairs performed by another party without our written authorization from BRAH Electric.

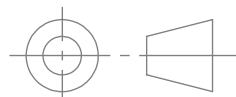
REVISIONS				
ZONE	REV.	DESCRIPTION	DATE	APPROVED



[WWW.BRAHELECTRIC.COM](http://WWW.BRAHELECTRIC.COM), 855-355-2724

Drawing diagrams are for reference only.

Actual Kit may vary slightly



THIRD ANGLE PROJECTION

**PROPRIETARY AND CONFIDENTIAL**

THE INFORMATION CONTAINED IN THIS DRAWING IS THE SOLE PROPERTY OF BRAH ELECTRIC. ANY REPRODUCTION IN PART OR AS A WHOLE WITHOUT THE WRITTEN PERMISSION OF BRAH ELECTRIC IS PROHIBITED.

UNLESS OTHERWISE NOTED  
ALL DIMENSIONS ARE IN INCHES  
METRIC UNITS ARE DISPLAYED  
BENEATH IN [ MM. ]

MATERIAL

FINISH

DO NOT SCALE DRAWING



**RATING PLUGS**

SIZE	DWG. NO.	REV.
<b>A</b>	BE-SRPE30A25	<b>A</b>
SCALE: 2:1	WEIGHT: 3.2 LBS	SHEET 1 OF 1