



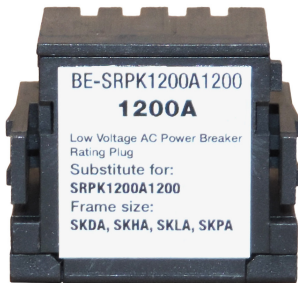
CONTACT US

855.355.2724

E-Mail: sales@brahelectric.com

www.brahelectric.com

PRODUCT DATA SHEET



PART NUMBER – BE-SRPK1200A1200

BE-SRPK1200A1200, 1200A rating plug, type SRPK for use with 1200A CT sensor rating. Direct substitute for General Electric Spectra Series interchangeable rating plug element SRPK1200A1200. Suitable for use with Spectra RMS trip devices. Compatible with SKDA, SKHA, SKLA, SKPA circuit breaker frame types.

RATING PLUGS

PART NO. BE-SRPK1200A1200

RATING PLUG INST. ADJUST RANGE

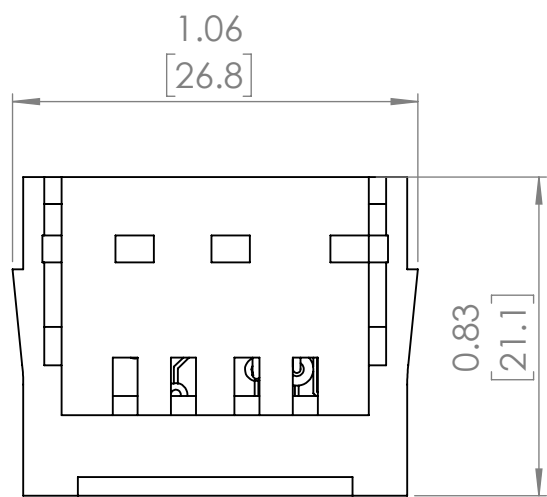
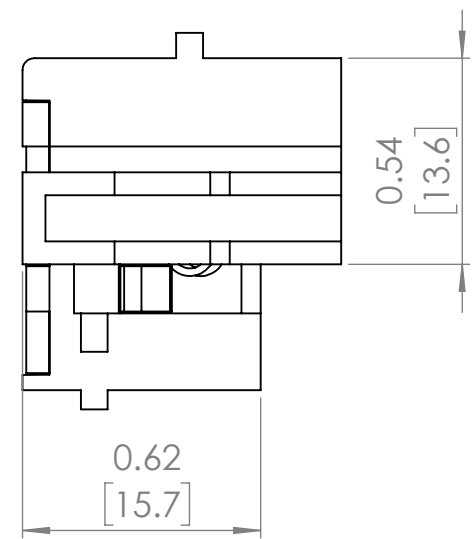
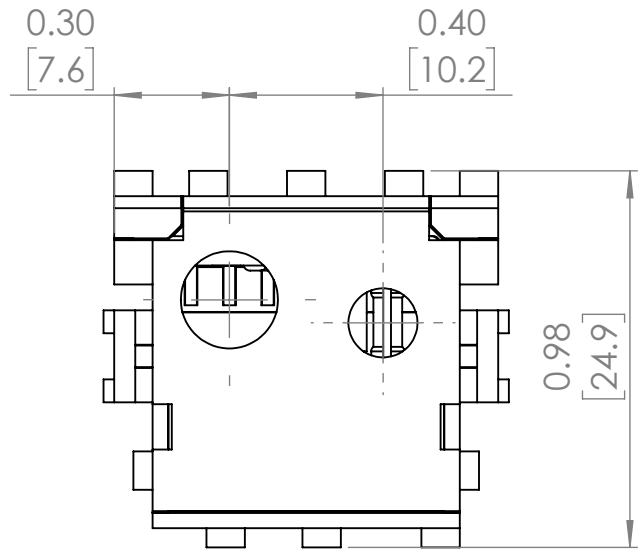
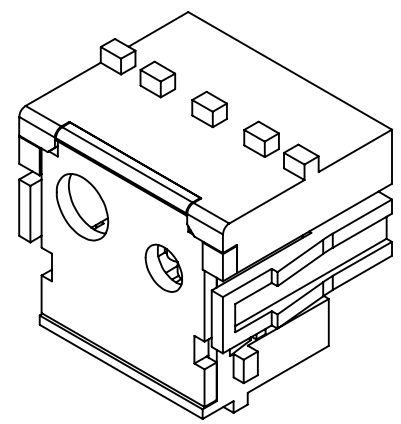
LOW – 3650A	7370A
4620A	9455A
5805A	HI – 12215A

PRODUCT SPECIFICATIONS

Manufacturer	BRAH Electric
Sub-Category	Rating Plugs
Family	Spectra Series
Type	SRPK
For Frame Size	SKDA, SKHA, SKLA, SKPA
OEM Manufacturer	General Electric
OEM Part No.	SRPK1200A1200
Amperage Max	1200
Trip Type	Spectra RMS
SAmp	1200
PAmp	1200

Warranty: All Products sold by BRAH Electric are guaranteed to be free of defect for a period of two years, under the condition that the product has been installed and operated properly. All items proven defective within the one year period will be replaced by BRAH Electric. In the event that we cannot provide a direct replacement, your monies will be refunded in full. We are not responsible for any consequential losses or damages outside of the defective product as well as any replacements or repairs performed by another party without our written authorization from BRAH Electric.

REVISIONS				
ZONE	REV.	DESCRIPTION	DATE	APPROVED



WWW.BRAHELECTRIC.COM, 855-355-2724

Drawing diagrams are for reference only.
Actual Kit may vary slightly

 THIRD ANGLE PROJECTION	UNLESS OTHERWISE NOTED ALL DIMENSIONS ARE IN INCHES METRIC UNITS ARE DISPLAYED BENEATH IN [MM.]			
	PROPRIETARY AND CONFIDENTIAL THE INFORMATION CONTAINED IN THIS DRAWING IS THE SOLE PROPERTY OF BRAH ELECTRIC. ANY REPRODUCTION IN PART OR AS A WHOLE WITHOUT THE WRITTEN PERMISSION OF BRAH ELECTRIC IS PROHIBITED.			MATERIAL FINISH DO NOT SCALE DRAWING
SIZE A DWG. NO. BE-SRPK1200A1200 REV. A		SCALE: 2:1	WEIGHT: 3.2 LBS	SHEET 1 OF 1