



CONTACT US

855.355.2724

E-Mail: sales@brahelectric.com

www.brahelectric.com

PRODUCT DATA SHEET



BUS PLUGS

PART NO. BEB3206



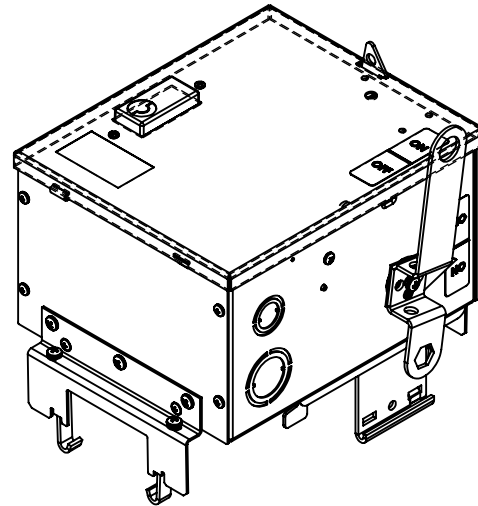
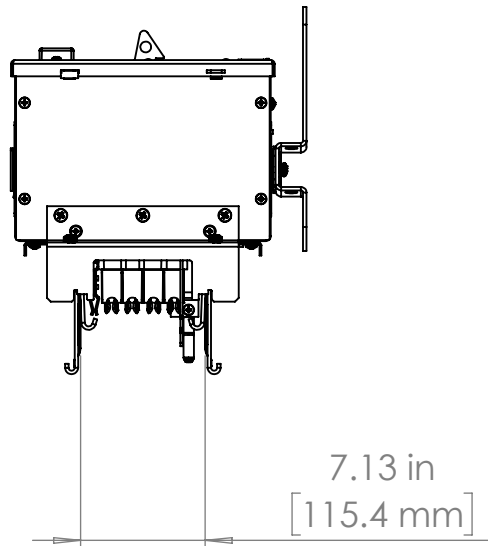
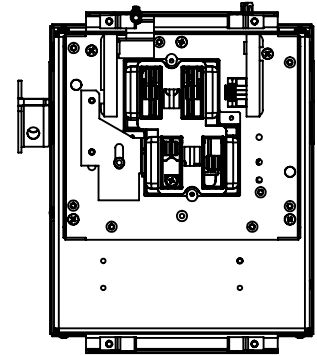
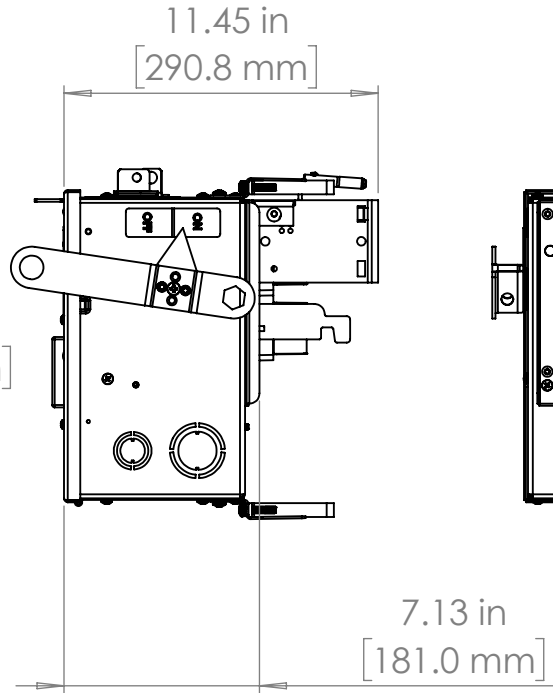
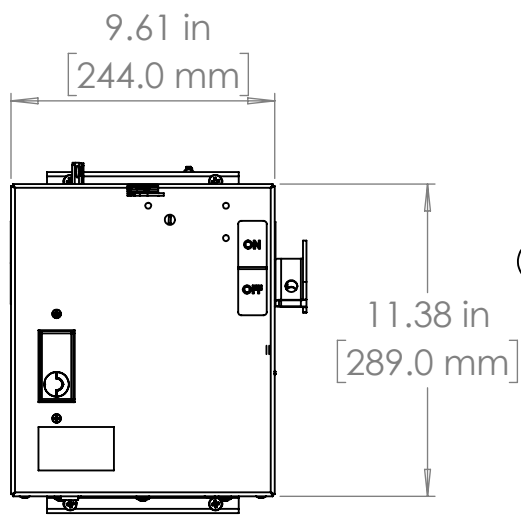
PART NUMBER – BEB3206

BRAH Electric aftermarket direct SB322R, 60amp, 240volt, 3 phase, 3 wire, fusible style bus plug, type BEB / SB, UL Listed assembly, complete with UL Recognized internal switch and components, suitable for use with OEM General Electric / ABB Spectra Series industrial busway systems, accepts Class H, R and J fuse types, direct substitute, fit and function for GE OEM SB322R, SB322RJ

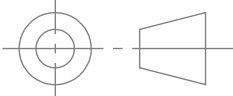

PRODUCT SPECIFICATIONS

Manufacturer	BRAH Electric
Sub-Category	Fusible
Type	SB, BEB
Wire	3
Voltage	240V
Amperage	60A
Suitable Fuse	H, J, R
A/C Rating	200 kA@240V
Phase	3

Warranty: All Products sold by BRAH Electric are guaranteed to be free of defect for a period of two years, under the condition that the product has been installed and operated properly. All items proven defective within the one year period will be replaced by BRAH Electric. In the event that we cannot provide a direct replacement, your monies will be refunded in full. We are not responsible for any consequential losses or damages outside of the defective product as well as any replacements or repairs performed by another party without our written authorization from BRAH Electric.



* NOTE: BRAH Electric aftermarket direct SB322R, 60amp, 240volt, 3 phase, 3 wire, fusible style bus plug, type BEB / SB, UL Listed assembly, complete with UL Recognized internal switch and components.

 THIRD ANGLE PROJECTION	UNLESS OTHERWISE NOTED ALL DIMENSIONS ARE IN INCHES METRIC UNITS ARE DISPLAYED BENEATH IN [MM.]			
	PROPRIETARY AND CONFIDENTIAL THE INFORMATION CONTAINED IN THIS DRAWING IS THE SOLE PROPERTY OF BRAH ELECTRIC. ANY REPRODUCTION IN PART OR AS A WHOLE WITHOUT THE WRITTEN PERMISSION OF BRAH ELECTRIC IS PROHIBITED.			
MATERIAL		FINISH		SIZE A
DO NOT SCALE DRAWING		N/A		DWG. NO. BEB3206
		SCALE: 1:10		WEIGHT:
		SHEET 1 OF 1		REV. A