



CONTACT US

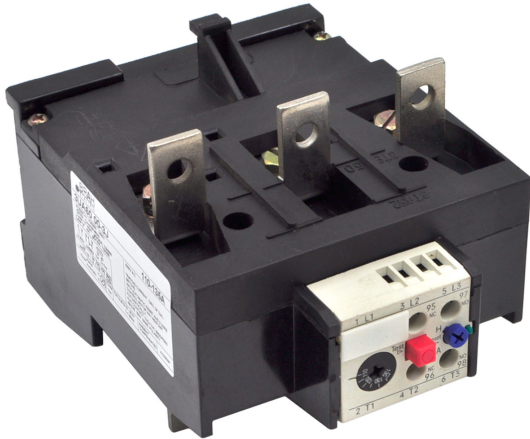
855.355.2724

E-Mail: sales@brahelectric.com

[www.brahelectric.com](http://www.brahelectric.com)

## PRODUCT DATA SHEET

---



*MOTOR CONTROLS*

*PART NO. B3UA60-00-2X*

### **PART NUMBER – B3UA60-00-2X**

3UA60-00-2X, 80 - 110 amperage range, solid state overload relay, type 3UA, suitable for use with Siemens World Series contactors and motor starter model types 3TF49, 3TF50, 3TB50, assembled unit features manual reset button and is complete with wiring connectors and terminals, direct substitute for Siemens 3UA60-00-2X

### **PRODUCT SPECIFICATIONS**

Manufacturer	BRAH Electric
Sub-Category	Overload Relays
Type	B3UA, 3UA
Family	World Series
OEM Manufacturer	Siemens
Amperage	80 – 110

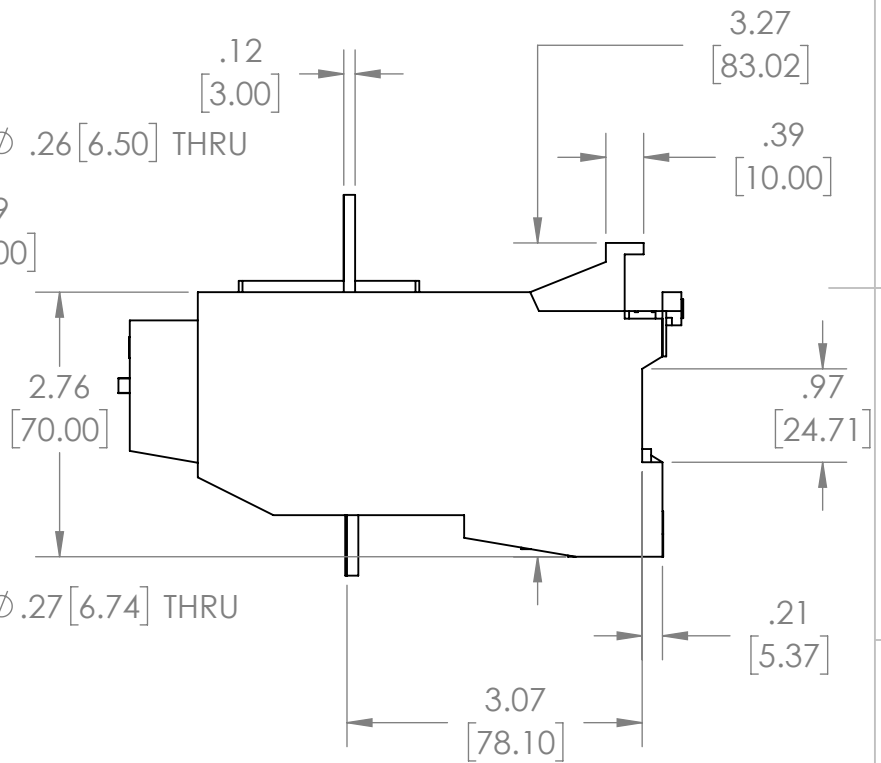
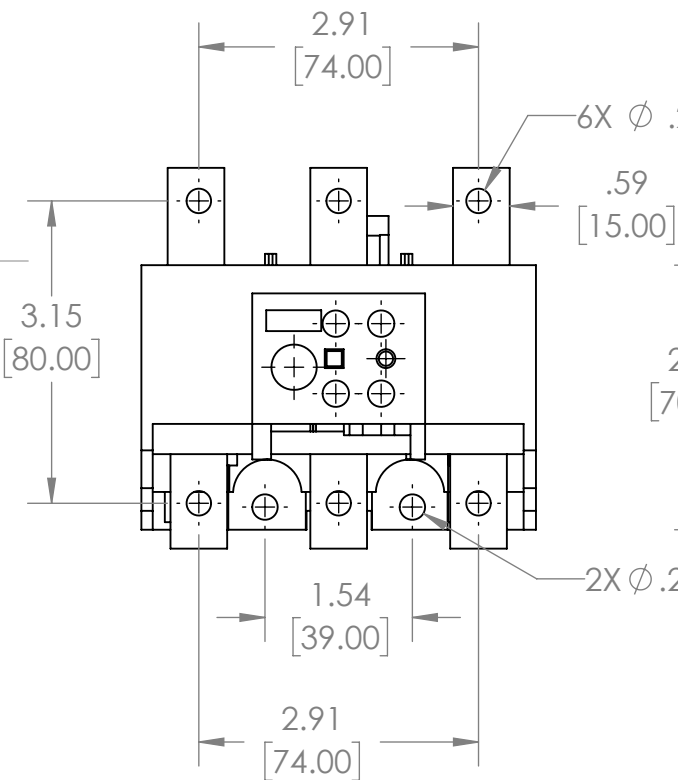
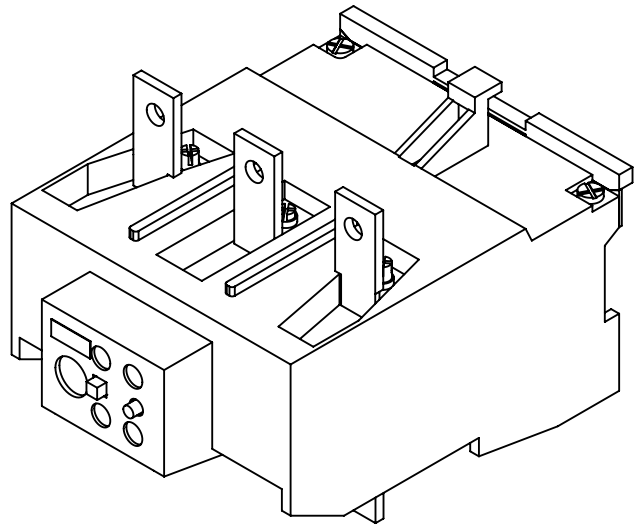
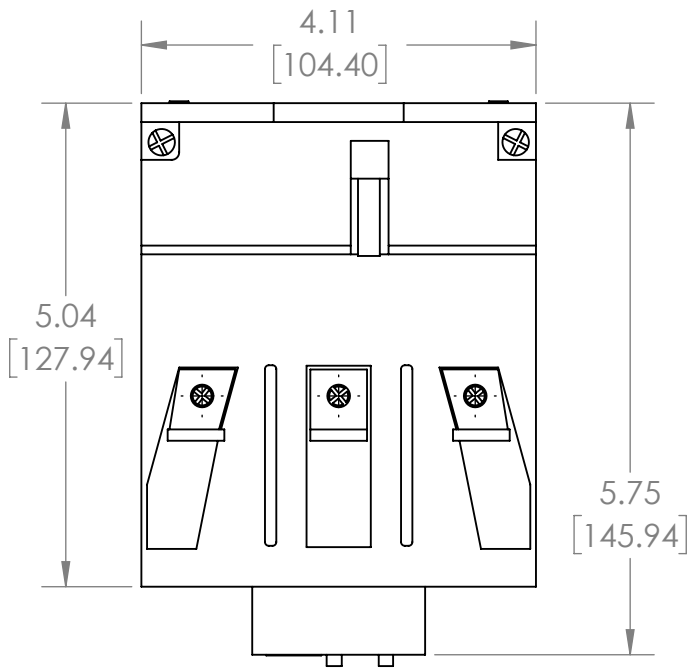
**Warranty:** All Products sold by BRAH Electric are guaranteed to be free of defect for a period of two years, under the condition that the product has been installed and operated properly. All items proven defective within the one year period will be replaced by BRAH Electric. In the event that we cannot provide a direct replacement, your monies will be refunded in full. We are not responsible for any consequential losses or damages outside of the defective product as well as any replacements or repairs performed by another party without our written authorization from BRAH Electric.

4

3

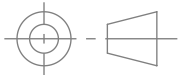
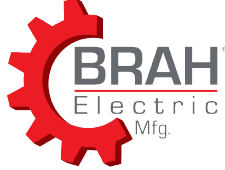
2

1



\*NOTE: BRAH ELECTRIC OVERLOAD RELAY B3UA60-00-\* IS AN AFTERMARKET DIRECT REPLACEMENT FOR SIEMENS 3UA60-00-\*. SUITABLE FOR USE WITH 3TF49, 3TF50 & 3TB50 MOTOR CONTROL SYSTEMS

[WWW.BRAHELECTRIC.COM](http://WWW.BRAHELECTRIC.COM), 855-355-2724

 THIRD ANGLE PROJECTION	TOLERANCES ANGULAR MACH ± .5°  LINEAR X: ± .02 [.5] X.X: ± .01 [.25] X.XX: ± .005 [.13]	UNLESS OTHERWISE NOTED ALL DIMENSIONS ARE IN INCHES METRIC UNITS ARE DISPLAYED BENEATH IN [ MM. ]	 <b>Overload Relay</b>
	PROPRIETARY AND CONFIDENTIAL THE INFORMATION CONTAINED IN THIS DRAWING IS THE SOLE PROPERTY OF BRAH ELECTRIC. ANY REPRODUCTION IN PART OR AS A WHOLE WITHOUT THE WRITTEN PERMISSION OF BRAH ELECTRIC IS PROHIBITED.	GENERAL TOLERANCE ASME Y14.5M-1994	
DO NOT SCALE DRAWING	DRAWN BY MHENRY	DATE 11/5/2024	SIZE <b>A</b>
			DWG. NO. <b>B3UA60-00-*</b>
			REV. <b>A</b>
			SCALE:1:2
			SHEET 1 OF 1

4

3

2

1