



CONTACT US

855.355.2724

E-Mail: sales@brahelectric.com

www.brahelectric.com

PRODUCT DATA SHEET



OVERLOAD RELAYS

PART NO. B3UA62-00-3M

PART NUMBER – B3UA62-00-3M

B3UA62-00-3M, 150 – 180 Amp, solid state overload relay, type 3UA, suitable for use with Siemens World Series contactors and motor starter model types 3TF52, 3TF53, 3TB52, assembled unit features manual reset button and is complete with wiring connectors and terminals, direct substitute for Siemens 3UA62-00-3M.

PRODUCT SPECIFICATIONS

Manufacturer	BRAH Electric
Sub-Category	MOTOR CONTROLS
Family	World Series
Type	B3UA, 3UA
OEM Manufacturer	Siemens
Amperage	150 – 180

Warranty: All Products sold by BRAH Electric are guaranteed to be free of defect for a period of two years, under the condition that the product has been installed and operated properly. All items proven defective within the one year period will be replaced by BRAH Electric. In the event that we cannot provide a direct replacement, your monies will be refunded in full. We are not responsible for any consequential losses or damages outside of the defective product as well as any replacements or repairs performed by another party without our written authorization from BRAH Electric.

4

3

2

1

F

F

E

E

D

D

C

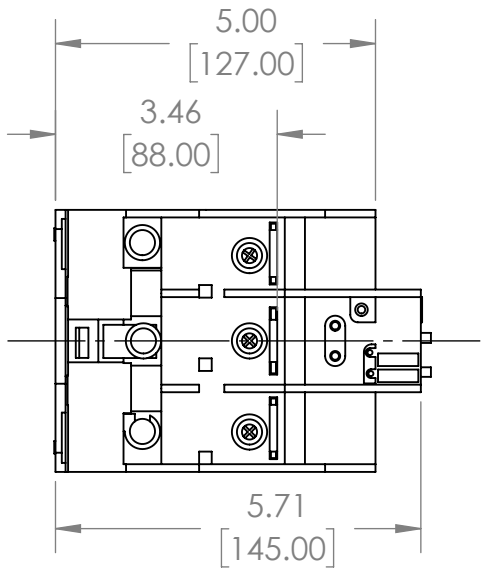
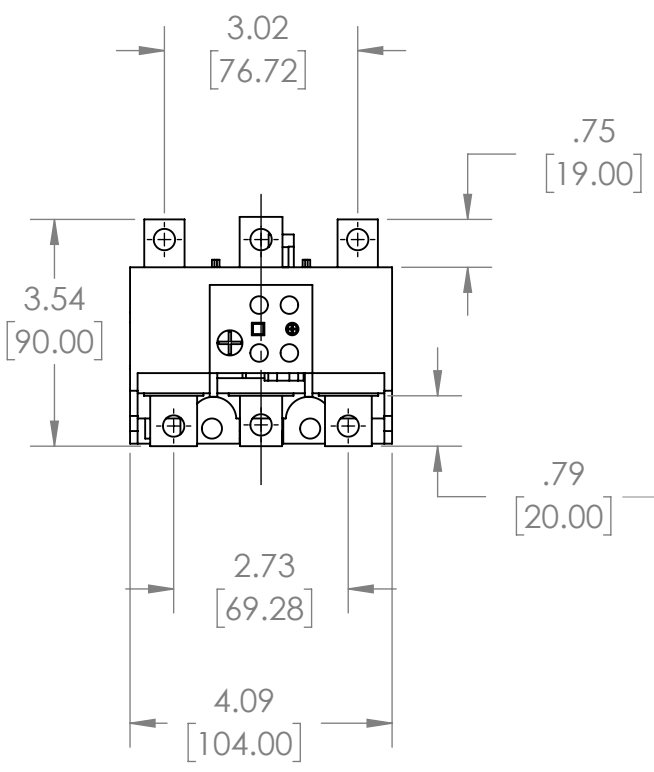
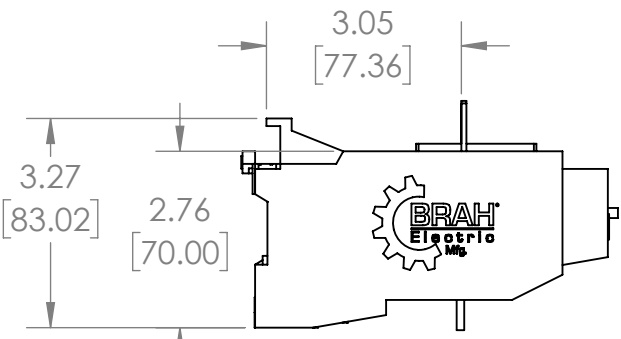
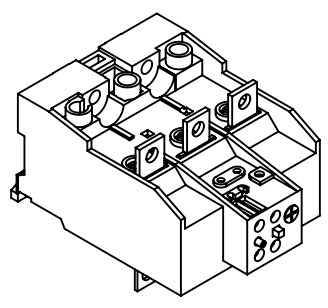
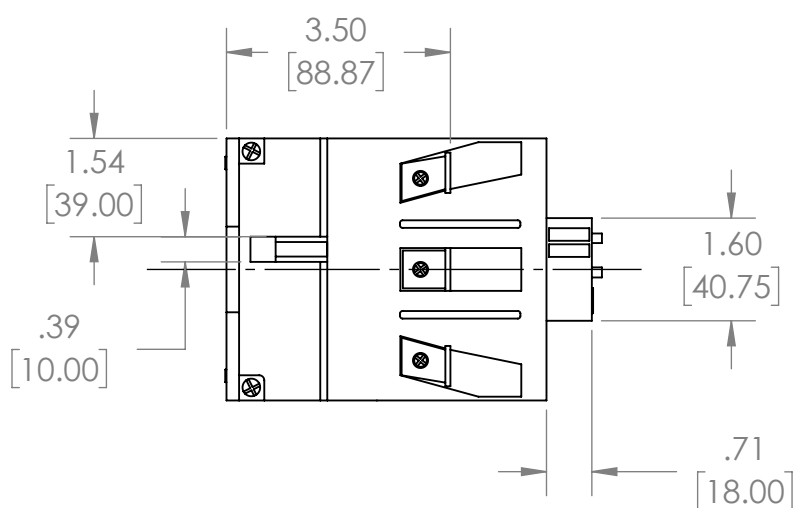
C

B

B

A

A



WWW.BRAHELECTRIC.COM, 855-355-2724

*NOTE: THIS BRAH ELECTRIC OVERLOAD RELAY B3UA62-00-3M IS AN AFTERMARKET DIRECT REPLACEMENT FOR SIEMENS 3UA62-00-3M. SUITABLE FOR USE WITH SIEMENS WORLD SERIES MOTOR CONTROL SYSTEMS.

<p>THIRD ANGLE PROJECTION</p>	<p>TOLERANCES</p> <p>ANGULAR MACH ± .5°</p> <p>LINEAR</p> <p>X: ± .02 [.5]</p> <p>X.X: ± .01 [.25]</p> <p>X.XX: ± .005 [.13]</p>	<p>UNLESS OTHERWISE NOTED</p> <p>ALL DIMENSIONS ARE IN INCHES</p> <p>METRIC UNITS ARE DISPLAYED</p> <p>BENEATH IN [MM.]</p>	<p>OVERLOAD RELAY</p>
	<p>GENERAL TOLERANCE</p> <p>ASME Y14.5M-1994</p>	<p>MATERIAL</p> <p>N/A</p> <p>FINISH</p> <p>N/A</p> <p>DRAWN BY</p> <p>MHENRY</p> <p>DATE</p> <p>3/18/2025</p>	
<p>PROPRIETARY AND CONFIDENTIAL</p> <p>THE INFORMATION CONTAINED IN THIS DRAWING IS THE SOLE PROPERTY OF BRAH ELECTRIC. ANY REPRODUCTION IN PART OR AS A WHOLE WITHOUT THE WRITTEN PERMISSION OF BRAH ELECTRIC IS PROHIBITED.</p>		<p>SCALE:1:3</p>	<p>REV.</p> <p>A</p>
<p>DO NOT SCALE DRAWING</p>		<p>DWG. NO.</p> <p>A</p>	<p>DWG. NO.</p> <p>B3UA62-00-3M</p>
		<p>SHEET 1 OF 1</p>	

4

3

2

1