



CONTACT US

855.355.2724

E-Mail: sales@brahelectric.com

[www.brahelectric.com](http://www.brahelectric.com)

## PRODUCT DATA SHEET



### *BUS PLUGS*

*PART NO. BPQ3610G*

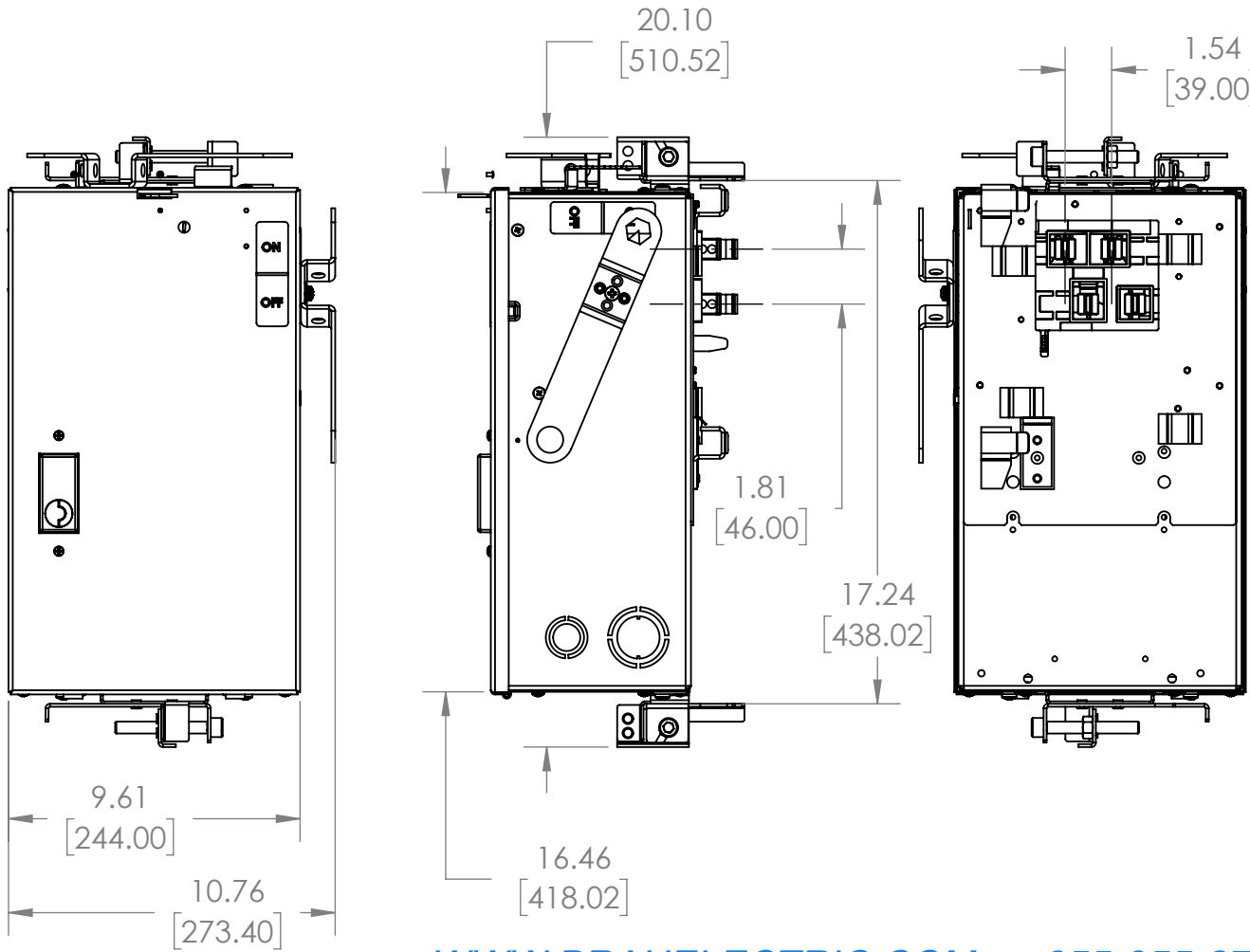
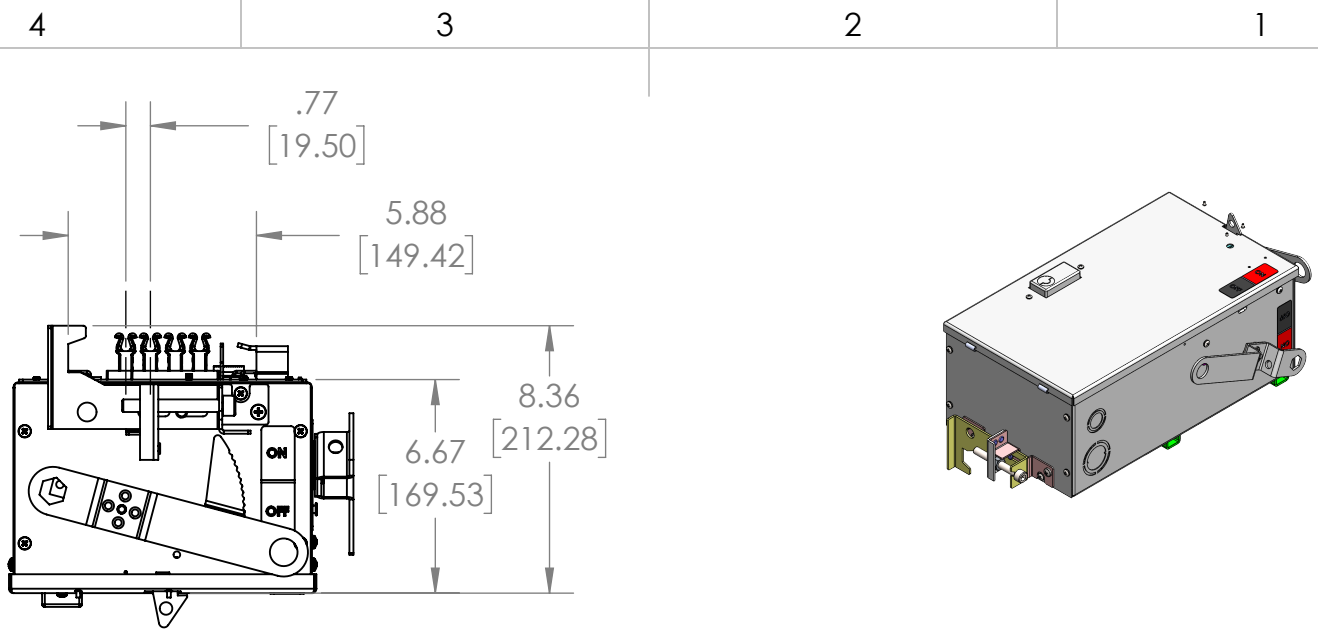
### **PART NUMBER – BPQ3610G**

BRAH Electric aftermarket direct replacement PQ3610G, 100A, 600V, 3 phase, 3 wire, fusible style bus plug, type PQ, BPQ. Suitable for use with OEM Square D I-Line I & II industrial busway systems. Accepts Class H, R and J fuse types. Direct substitute, fit and function, for Square D PQ3610G.

### **PRODUCT SPECIFICATIONS**

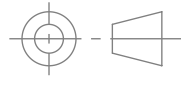

Manufacturer	BRAH Electric
Sub-Category	Fusible
Family	I-Line
Type	PQ, BPQ
Phase	3
Wire	3
Max Voltage	600
Max Amperage	100
Suitable Fuse	H, J, R
A/C Rating	200 kA@480V
Ground	YES
Weatherproof	NO

**Warranty:** All Products sold by BRAH Electric are guaranteed to be free of defect for a period of two years, under the condition that the product has been installed and operated properly. All items proven defective within the one year period will be replaced by BRAH Electric. In the event that we cannot provide a direct replacement, your monies will be refunded in full. We are not responsible for any consequential losses or damages outside of the defective product as well as any replacements or repairs performed by another party without our written authorization from BRAH Electric.



[WWW.BRAHELECTRIC.COM](http://WWW.BRAHELECTRIC.COM), 855-355-2724

BRAH Electric  
 aftermarket direct  
 replacement for  
 PQ3610G. 100A, 600V,  
 3 phase, 3, wire, fusible  
 style bus plug, type PQ,  
 BPQ.

 THIRD ANGLE PROJECTION	<b>TOLERANCES</b> ANGULAR MACH ± .5°  LINEAR X: ± .02 [.5] X.X: ± .01 [.25] X.XX: ± .005 [.13]	UNLESS OTHERWISE NOTED ALL DIMENSIONS ARE IN INCHES METRIC UNITS ARE DISPLAYED BENEATH IN [ MM. ]	 <b>Fusible Bus Plug</b>
	<b>PROPRIETARY AND CONFIDENTIAL</b> THE INFORMATION CONTAINED IN THIS DRAWING IS THE SOLE PROPERTY OF BRAH ELECTRIC. ANY REPRODUCTION IN PART OR AS A WHOLE WITHOUT THE WRITTEN PERMISSION OF BRAH ELECTRIC IS PROHIBITED.	GENERAL TOLERANCE ASME Y14.5M-1994	
DO NOT SCALE DRAWING	DATE 3/20/2025	DRAWN BY MHENRY	FINISH N/A
		SIZE <b>A</b>	DWG. NO. <b>BPQ3610G</b>
		SCALE:1:6	REV. <b>A</b>
		SHEET 1 OF 1	