



CONTACT US

855.355.2724

E-Mail: sales@brahelectric.com

[www.brahelectric.com](http://www.brahelectric.com)

## PRODUCT DATA SHEET



### BUS PLUGS

PART NO. B3F3206NW

### PART NUMBER – B3F3206NW

BRAH Electric aftermarket direct replacement P3F322N, 60A, 240V, 3 phase, 4 wire, fusible style bus plug, type P3F, B3F. Suitable for use with OEM Eaton Cutler-Hammer POW-R-WAY III industrial busway systems. Accepts Class H, R and J fuse types. Direct substitute, fit and function, for Cutler-Hammer P3F322N, P3F322RN, P3F322JN.

### PRODUCT SPECIFICATIONS

Manufacturer	BRAH Electric
Sub-Category	Fusible
Family	POW-R-WAY III
Type	P3F, B3F
Phase	3
Wire	4
Voltage	240
Amperage	60
Suitable Fuse	H, J, R
A/C Rating	200 kA@240V
Ground	NO
Weatherproof	YES

**Warranty:** All Products sold by BRAH Electric are guaranteed to be free of defect for a period of two years, under the condition that the product has been installed and operated properly. All items proven defective within the one year period will be replaced by BRAH Electric. In the event that we cannot provide a direct replacement, your monies will be refunded in full. We are not responsible for any consequential losses or damages outside of the defective product as well as any replacements or repairs performed by another party without our written authorization from BRAH Electric.

4

3

2

1

F

F

E

E

D

D

C

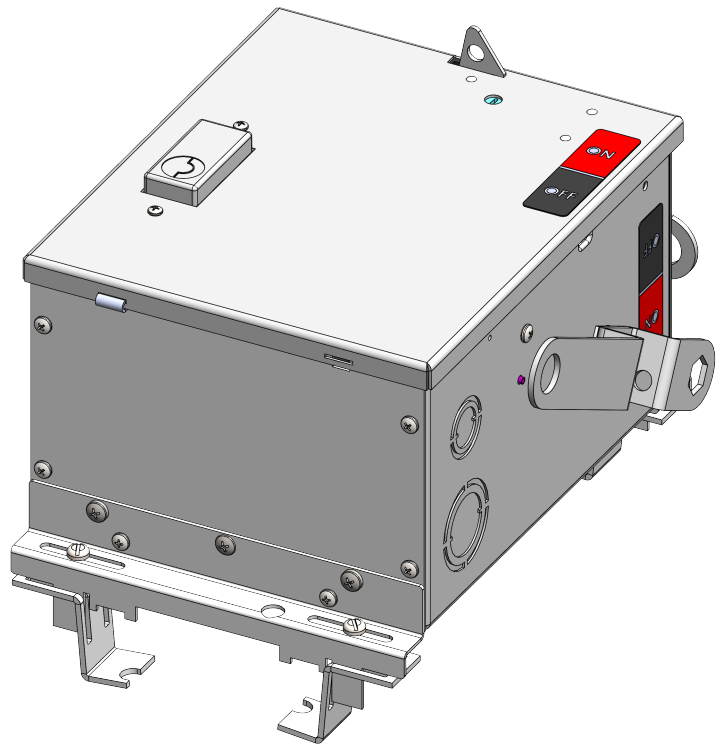
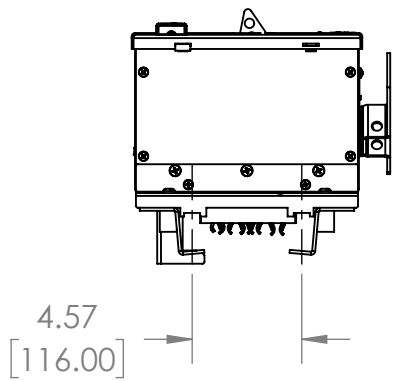
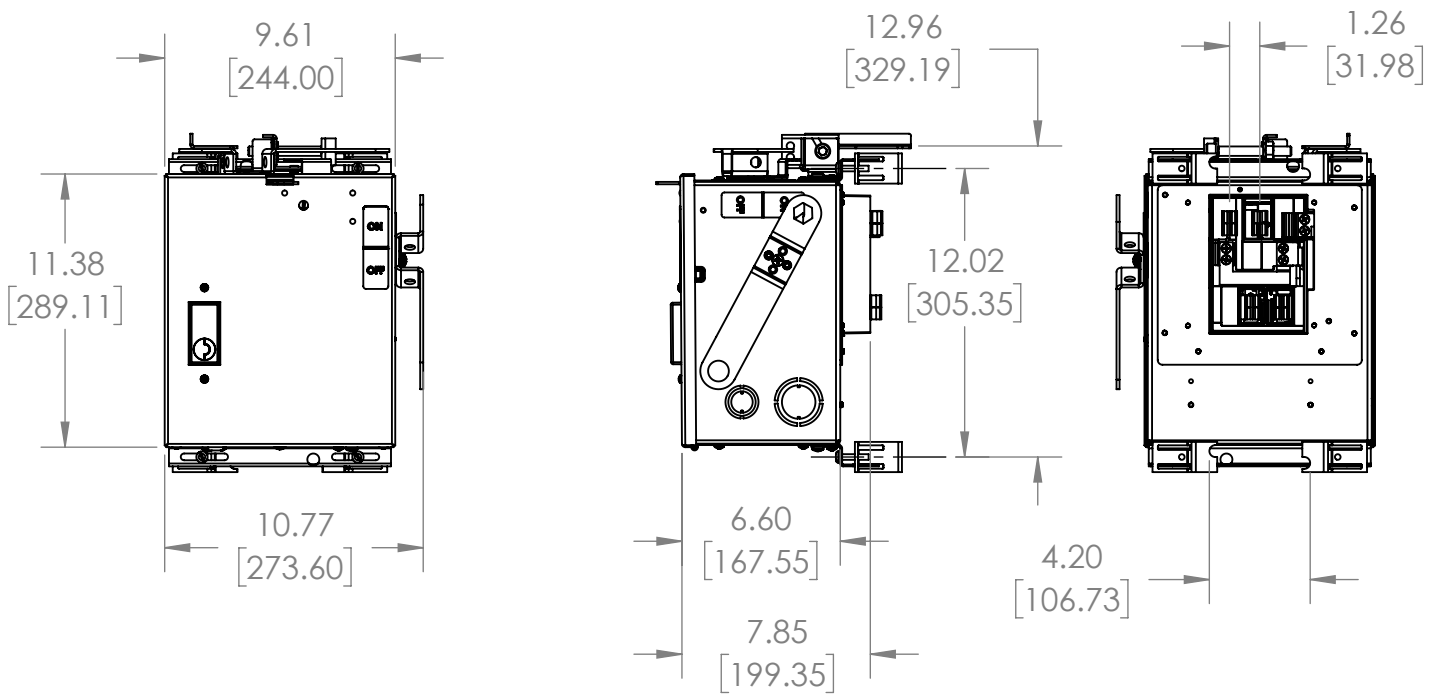
C

B

B

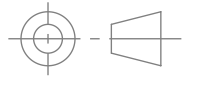

A

A



[WWW.BRAHELECTRIC.COM](http://WWW.BRAHELECTRIC.COM), 855-355-2724

BRAH Electric  
 aftermarket direct  
 replacement for  
 P3F322N, P3F322RN,  
 P3F322JN. 60A, 240V,  
 3 phase, 4, wire, fusible  
 style bus plug, type P3F,  
 B3F.

 THIRD ANGLE PROJECTION	TOLERANCES ANGULAR MACH ± .5°  LINEAR X: ± .02 [.5] X.X: ± .01 [.25] X.XX: ± .005 [.13]	UNLESS OTHERWISE NOTED ALL DIMENSIONS ARE IN INCHES METRIC UNITS ARE DISPLAYED BENEATH IN [ MM. ]	 Fusible Bus Plug
	PROPRIETARY AND CONFIDENTIAL THE INFORMATION CONTAINED IN THIS DRAWING IS THE SOLE PROPERTY OF BRAH ELECTRIC. ANY REPRODUCTION IN PART OR AS A WHOLE WITHOUT THE WRITTEN PERMISSION OF BRAH ELECTRIC IS PROHIBITED.	GENERAL TOLERANCE ASME Y14.5M-1994	
DO NOT SCALE DRAWING	DATE 3/19/2025	DRAWN BY MHENRY	FINISH N/A
		SIZE <b>A</b>	DWG. NO. B3F3206NW
		SCALE:1:8	REV. <b>A</b>
			SHEET 1 OF 1

4

3

2

1