



CONTACT US

855.355.2724

E-Mail: sales@brahelectric.com

www.brahelectric.com

PRODUCT DATA SHEET



PART NUMBER – BLC1K1210

BRAH Electric aftermarket direct replacement for Telemecanique LC1K1210 AC magnetic contactor, suitable for use with TeSys K series motor control systems. Type LC1K, 3P, 3PH, 12A, 600V, 4HP @ 220V, 4.5HP @ 380V, 5HP @ 660V, complete with 1 N/C auxiliary contact.

MAGNETIC CONTACTOR

BLC1K1210

COIL VOLTAGE SELECTION CHART BLC1K12**-**

BLC1K12	120V AC
BLC1K1201	120V AC
BLC1K1201-B7	24V AC
BLC1K1201-G7	120V AC
BLC1K1201-U7	240V AC
BLC1K1210	120V AC
BLC1K1210-B7	24V AC
BLC1K1210-G7	120V AC
BLC1K1210-U7	240V AC

PRODUCT SPECIFICATIONS

Manufacturer	BRAH Electric
Sub-Category	Contactors
Family	TeSys K
Type	LC1K
OEM Manufacturer	Telemecanique
OEM Part No.	LC1K1210
Poles	3
Phase	3
Amperage Max	12
Voltage Max	660V AC
Max HP Rating	5

Warranty: All Products sold by BRAH Electric are guaranteed to be free of defect for a period of two years, under the condition that the product has been installed and operated properly. All items proven defective within the one year period will be replaced by BRAH Electric. In the event that we cannot provide a direct replacement, your monies will be refunded in full. We are not responsible for any consequential losses or damages outside of the defective product as well as any replacements or repairs performed by another party without our written authorization from BRAH Electric.

4

3

2

1

F

F

E

E

D

D

C

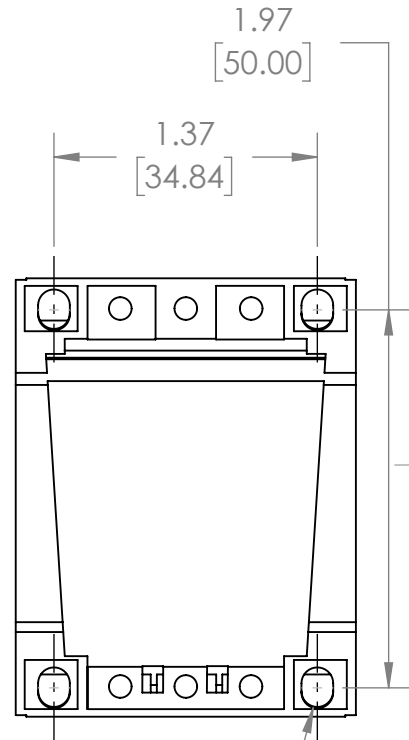
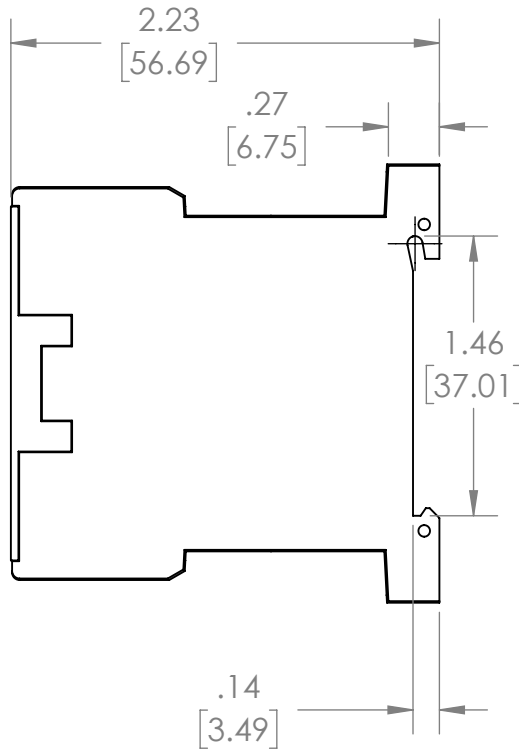
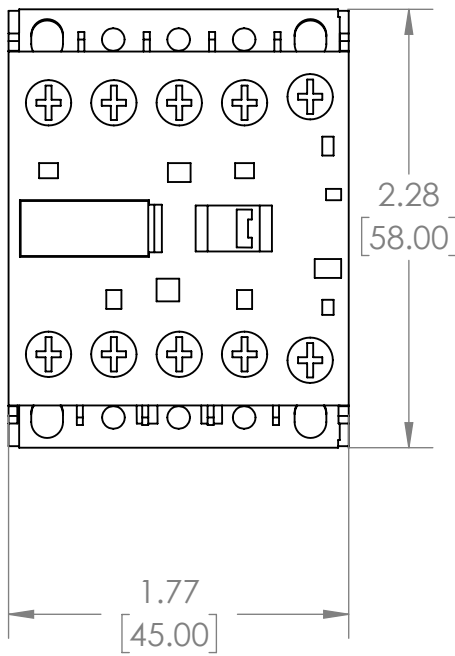
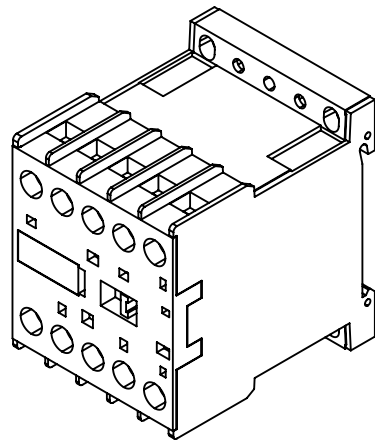
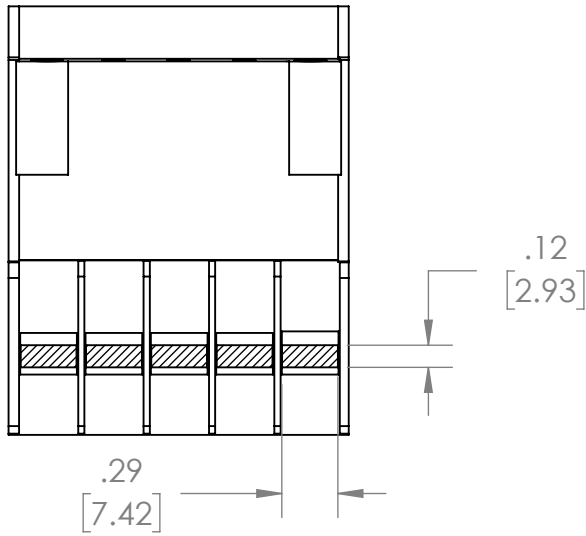
C

B

B

A

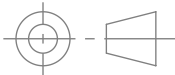
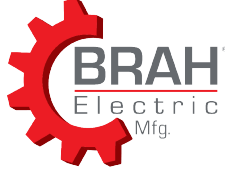
A



4X ϕ 4.20 X 1.50 THRU

*NOTE: BRAH ELECTRIC AFTERMARKET DIRECT REPLACEMENT FOR TELEMECANIQUE LC1K1210 MAGNETIC CONTACTOR. TESYS K SERIES, TYPE LC1K, 3PH, 3P, 12A, 660V. COMES STANDARD WITH 120V AC CONTROL COIL AND 1 N/C AUX CONTACT.

WWW.BRAHELECTRIC.COM, 855-355-2724

 THIRD ANGLE PROJECTION	TOLERANCES ANGULAR MACH $\pm .5^\circ$ LINEAR X: $\pm .02$ [.5] X.X: $\pm .01$ [.25] X.XX: $\pm .005$ [.13]	UNLESS OTHERWISE NOTED ALL DIMENSIONS ARE IN INCHES METRIC UNITS ARE DISPLAYED BENEATH IN [MM.]	 MAGNETIC CONTACTOR
	PROPRIETARY AND CONFIDENTIAL THE INFORMATION CONTAINED IN THIS DRAWING IS THE SOLE PROPERTY OF BRAH ELECTRIC. ANY REPRODUCTION IN PART OR AS A WHOLE WITHOUT THE WRITTEN PERMISSION OF BRAH ELECTRIC IS PROHIBITED.	GENERAL TOLERANCE ASME Y14.5M-1994	
DO NOT SCALE DRAWING	FINISH No Finish	DRAWN BY MHENRY	DATE 4/1/2025
		SIZE A	DWG. NO. LC1K1210
		SCALE:1:1	REV. A
		SHEET 1 OF 1	

4

3

2

1