



NOW PROUDLY **SELLING & SERVICING**

**duebre**®  
**TEC**

**NOZZLES**

PIPE & SEWER

**PRODUCT  
OVERVIEW**



# SPIDER CHAIN SCRAPERS

Spider products are made for professional removal of roots, mineral deposits and other blockages in pipes with diameter from 80 to 400 mm (3.2" to 16"). Renovations often start with an all-around cleaning of the pipe.

With a nozzle of our Spider series you have the ideal solution. Our Spider nozzles use fresh or exceptional well filtered water.



**3505-0000**  
Spider60 1/2"

**3508-0000**  
Spider60 3/4"



**2950-0100**  
Spider50 1/2"  
with roller chains,  
without end pieces

**2950-1100**  
Spider50 1/2"  
with roller chains and  
end pieces



**2950-0800**  
Spider50 1/2" case  
with roller chains,  
without end pieces



**3511-0000**  
Spider80 1"



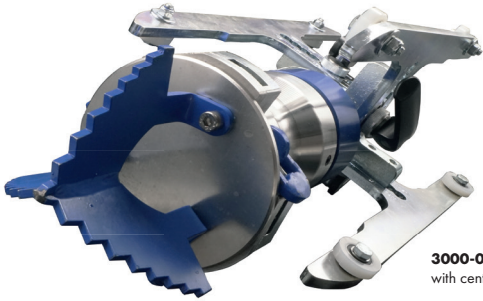
**2950-0200**  
Spider50 1/2"  
mit steel wire



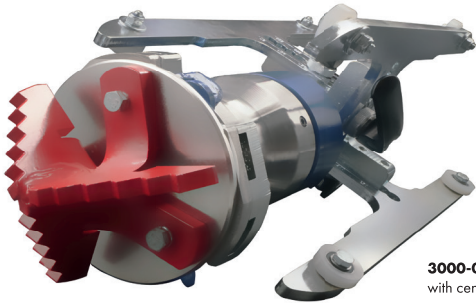
**2950-9900**  
Spider50 1/2"  
with ink chains

# T-SPIDER

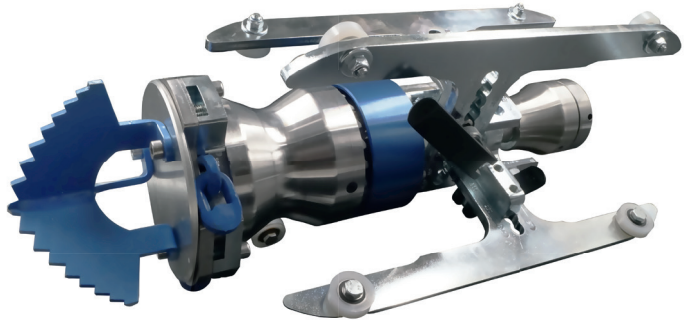
The Turbine Spider cuts through roots, concrete, grease, mineral deposits, protruding laterals and chemical buildups without causing pipe damage.



**3000-0200** T-Spider  
with center cutter



**3000-0200HD** T-Spider  
with center cutter HD



3/4" - 1 1/4"



Min.  
Max.  
mm  
(inch)

200 - 400 (10 - 16)

## Special nozzles

### T-Bomb

The powerful pipe cleaning nozzle with two different water jet angles. Perfect for cleaning before channel CCTV inspections.



**0309-0000** 1/2" | **0310-0000** 3/4"  
**0305-0000** | **0307-0000** 1"  
**0306-0000** | **0308-0000** 1 1/4"



30°  
60°  
0°

### Aquadrill

The Aquadrill nozzle is perfect for cleaning vertical pipes with blockages and fat.



**0624-0000** | **0624-0012** 1/2"  
**0625-0000** | **0625-0021** 1"



18°

# CASE

## Cased Standard Nozzles "ALL IN ONE"

### 1/2" Case



BX01-0001  
(1,6-8")  
Max. Min. 40 - 200 mm

- BX01-0000 Case 1/2"
- 0624-0012 Aquadrill
- 2969-0000D RTK050VET
- 3902-0000 CP
- 3888-0000 SN
- 0801-0000 GB
- 0701-0000 FL
- 0309-0000 TB
- 2920-0000 RTK050
- 1501-1SWO
- 1503-1SWO
- 1530-1530
- 1531-1531
- W008-0000 Nozzle function oil

### 1" Case



BX02-0001  
100 - 500 mm  
(4-20")

- BX02-0000 Case G1"
- 0625-0000 Aquadrill
- 2925-0000 RTK100T
- 0305-0000 TB G1"
- 3990-0000 SN100 G1"
- 0301-0000 GB100
- 0310-0000 TB075 G3/4"
- 3915-0000 CP100

Find your Dealer  
on the Warthog Website



[WWW.WARTHOG-NOZZLES.COM](http://WWW.WARTHOG-NOZZLES.COM)

Please note our general terms and conditions. On request we will send them to you without obligation. Brendle GmbH & Co. KG will not accept liability for the improper use of nozzles and tools. KG assumes no liability. Product changes are reserved to Brendle GmbH & Co. KG. All contents, photos, texts and graphics are protected by copyright. They may not be copied, modified, duplicated or published, neither in whole nor in part, without prior permission.

08/2023 ©Brendle GmbH & Co. KG  
Product overview



# ALLSTAR 2.0

The ultimate starter kit with 5 unique milling heads to tackle all types of removal

**duebre**<sup>®</sup>  
**TEC**



#### Included in the Allstar 2.0:

- Free-spinning Spider nozzle
  - Turbine rotary drive with 3x M4 ceramic drive nozzle inserts as well as 6x M6 ceramic thrust nozzle inserts
- 5 head options:
  - Pointed Milling Cutter for removing blockages of wet wipes, grease, ice, or roots
  - Single Row Link Chain for removing roots, mineral deposits, fat, and roughening of pipe walls before installation of inliner
  - Double Row Roller Chain Cutter for removing heavy root ingrowths, grease, and roughing of pipe walls before installation of inliner
  - Milling Cutting Ball for removal of mineral deposits as well as opening of various inliner materials
  - Center Cutter for removal of roots and blockages

The only kit of its kind, the Allstar 2.0 is packed with a rotating Spider nozzle and 5 different milling-style heads to suit 4", 6", and 8" pipes. The free-spinning body is equipped with 6 rear thrusting jets and 3 internal jets to fuel the rotation of the various heads. Each head has its specialty, whether you're tackling mineral deposits, limestone buildup, cement, grease, roots, or total blockages. This package also comes with additional tools and accessories like wire brush attachments, bicycle chains, link chains, and centralizing rings in varying lengths to suit different pipe sizes.

#### Additional Accessories:

- Brush attachments for the removal of heavy root ingrowths and roughening of pipe walls before installation of inliner
- Centralizing guide support ring with adjustable size options for stabilizing and easy maneuvering of bends
- Protective stainless-steel cap to protect and prevent damage in pipe bends
- 2 socket spanners
- 3 Allen spanners
- 2 hook spanners
- 1 carrying case with protective foam inlay

duebre<sup>®</sup> TEC XPECTION LITE / Jetscan is a high performance cleaning nozzle for any type of water - fresh or recycled.

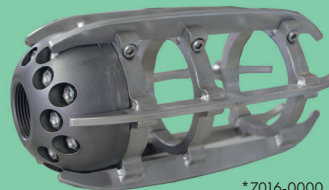
Get the most out of your wireless **CAMERAS!**



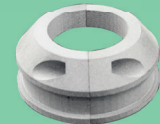
\*7004-0000



Max. 200 - 500  
ft/min  
(8-20")

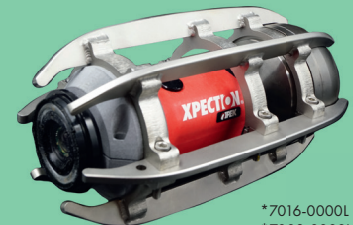


\*7016-0000  
\*7008-0000



7008-1000L

Available in following versions		
7008-0000	7008-B000	7008-R000
7016-0000	7016-B000	7016-R000



\*7016-0000L  
\*7008-0000L

**\* Delivery without camera**

**\* Delivery without camera**

# EXTRA JETS



The seal for efficient,  
environmentally friendly cleaning.

## Extra Jet advantages:

- Hydrodynamically optimized high performance nozzles
- Powerful water jet
- No unwanted/ unnecessary pressure loss

- Enormous savings in fuel consumption, water and time
- Precise pressure build-up through closely standardized water jet inserts

## Extra Life Jets



- Ceramic inserts
- Extremely durable, 2 or 5 years warranty\*
- Hardened outer nozzle body with elastic core
- Suitable for reprocessed water

## Extra Prime Jets



- High-grade steel inserts
- Consistent jet pattern
- Nozzle body made of stainless steel
- Suitable for fresh water only

Chisel point nozzle		ExL	ExP
	¼"	-	-
	"	3911-0000	P911-Gxxx
	½"	3902-0000	3912-Gxxx
	¾"	3903-0000	P903-Gxxx
	1"	3904-0000	P904-Gxxx
	1 ¼"	3906-0000	-

Standard cleaning nozzle		ExL	ExP
	¼"	-	-
	"	-	1156-Gxxx
	½"	3888-0000	1257-Gxxx
	¾"	3889-0000	P889-Gxxx
	1"	3890-0000	P890-Gxxx
	1 ¼"	3891-0000	-

Grenade-bomb		ExL	ExP
	¼"	-	0903-Gxxx
	"	-	0902-Gxxx
	½"	0801-0000	0905-Gxxx
	¾"	0803-0000	0803-Gxxx
	1"	0805-0000	-
	1 ¼"	0302-0000	-

## BULLDOZER



	ExL
¾"	0202-0000
1"	0204-0000
1 ¼"	0205-0000

Flounder		ExL	ExP
	¼"	-	-
	"	-	-
	½"	0701-0000	0701-Gxxx
	¾"	0702-0000	-
	1"	0703-0000	-
		0704-0000	-

# BLUE



## Blue50

## Blue80

## Blue100 Transformer

8550-0000  
8555-0000

8580-0000  
8585-0000

8075-1025  
8000-1025  
8025-1025



1/2", 3/4"

3/4", 1"

3/4", 1", 1 1/4"

100bar / 1450psi

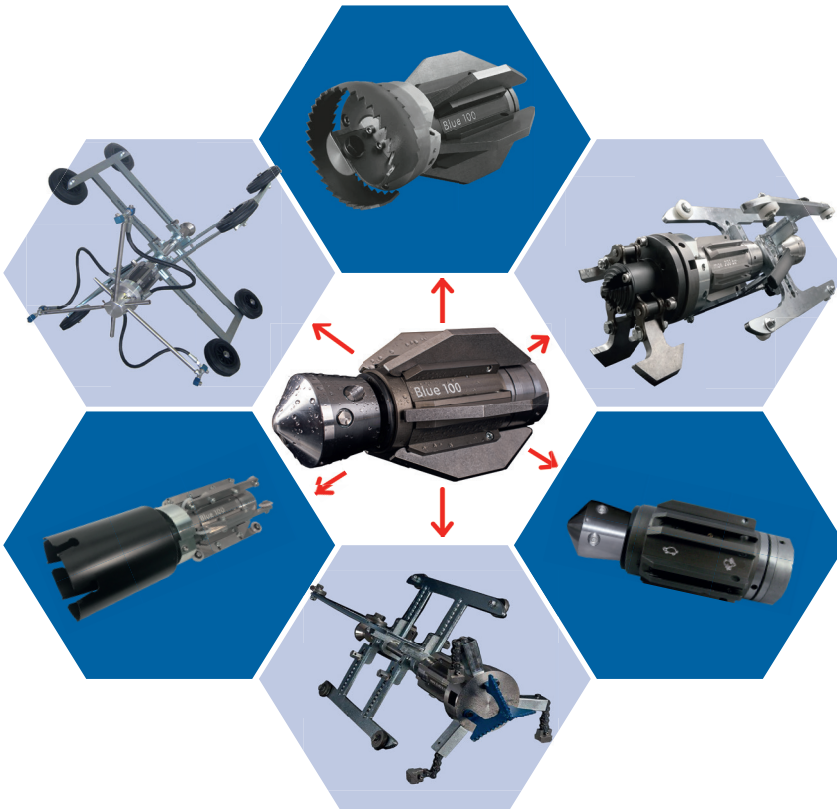


Min.  
Lt/min  
(Gal/min)

250 bar, 35-120  
liter per minute  
4.000 PSI, 10-32  
gallons per minute

250 bar, 100-400  
liter per minute  
4.000 PSI, 26-106  
gallons per minute

200 bar, 190-600  
liter per minute  
3.000 PSI, 50-159  
gallons per minute



## Blue 100 360° Solution

### All around:

- Highest possible efficiency
- Adjustable rotation speed
- Modular and expandable, to solve almost any requirement
- Adjustable water pressure
- Any water quality
- No maintenance

# BLUE100 EXTENSIONS

## Blue80 and Blue100 Vibro

The Blue80 and Blue100 Vibro breaks solid materials like mineral deposits, concrete wash etc. from the bottom of a pipe. The rotating head creates vibrations which are transferred with the skids into the material.

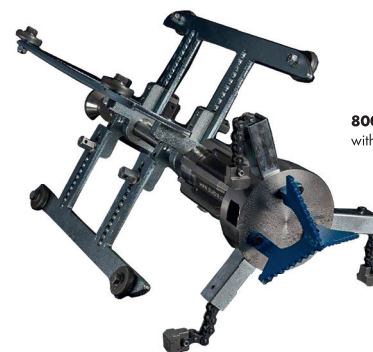


	from $\varnothing$ 150 mm (6")
3/4"	8580-V075
1"	8580-V000

	from $\varnothing$ 250 mm (10")
1"	8000-V000
1 1/4"	8025-V000

## Blue100 Spider

The Blue100 Spider HD „Heavy Duty“ chain scraper can handle even polluted (dirt) or recycled water. It removes roots and solids like mineral deposits as efficiently as any milling tool. The flywheel plate with its kinetic energy is the basis for further applications such as the saw blade, the milling head or the diamond cutter.



**8000-SH05**  
with 3/4" chain head



**8000-SH04**  
with 1" chain head



**8000-SH02**

	150-200 mm (6-8)	200-400 mm (8-16)	250-500 mm (10-20)	400-700 mm (14-28)
3/4"	8075-SH02	8075-SH04	8075-SH05	8075-SH07
1"	8000-SH02	8000-SH04	8000-SH05	8000-SH07
1 1/4"	8025-SH02	8025-SH04	8025-SH05	8025-SH07