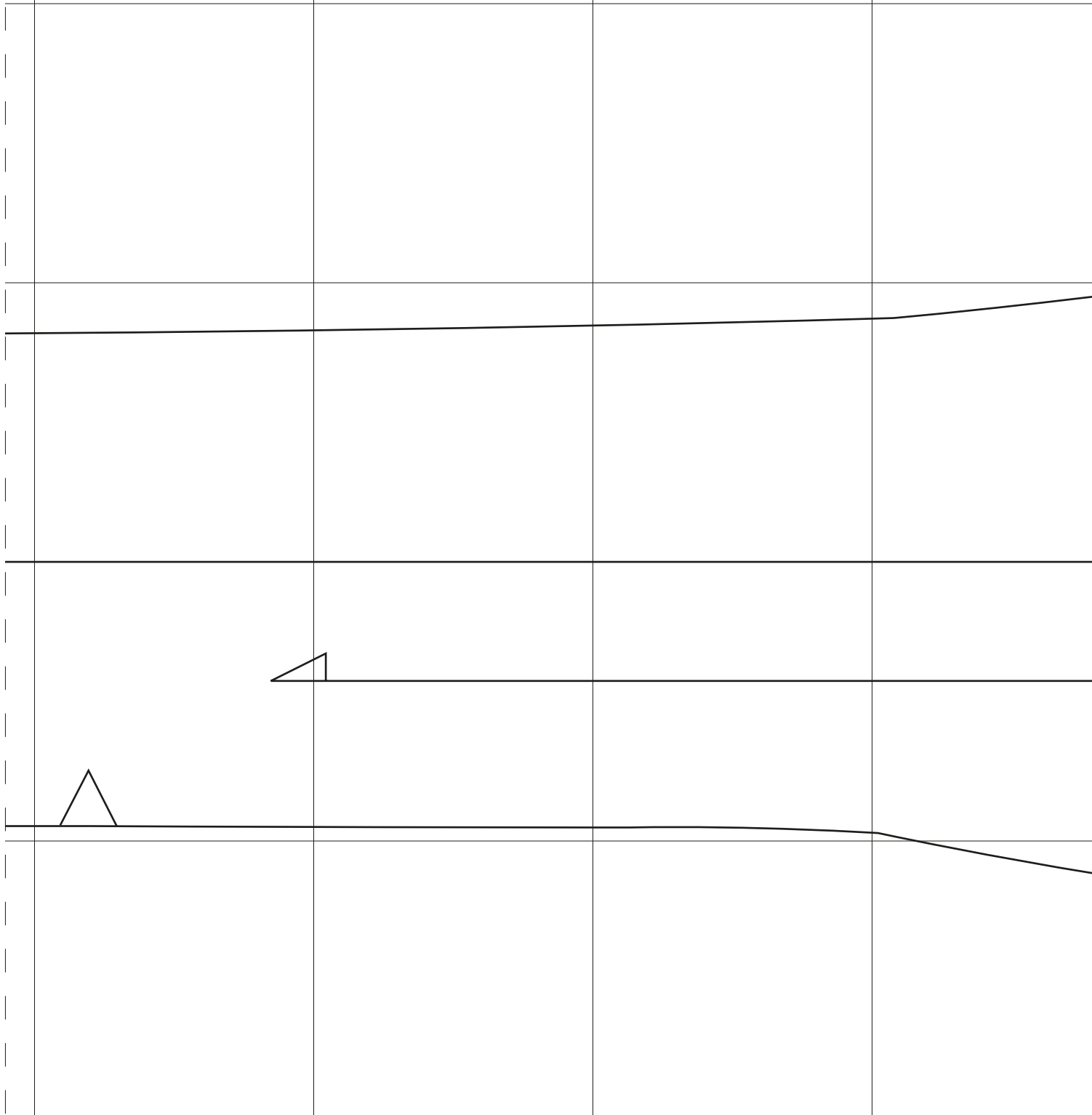


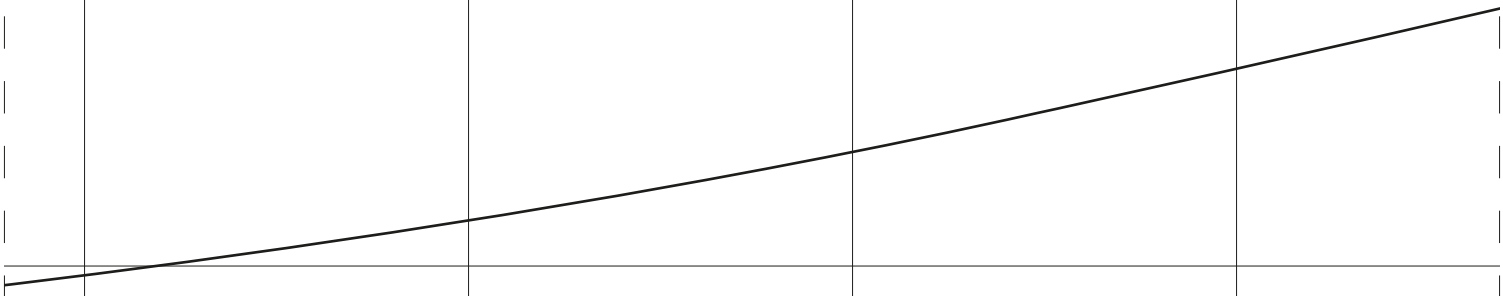
A1

A1

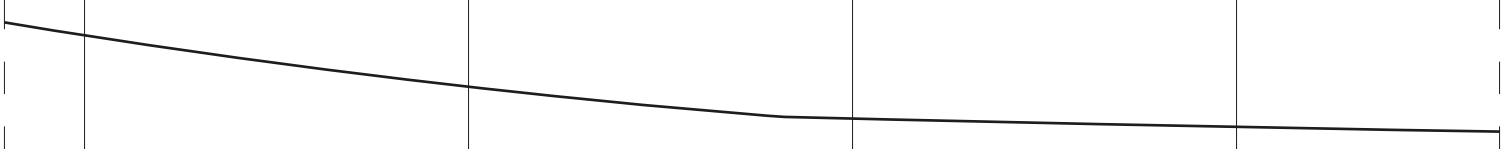
A1

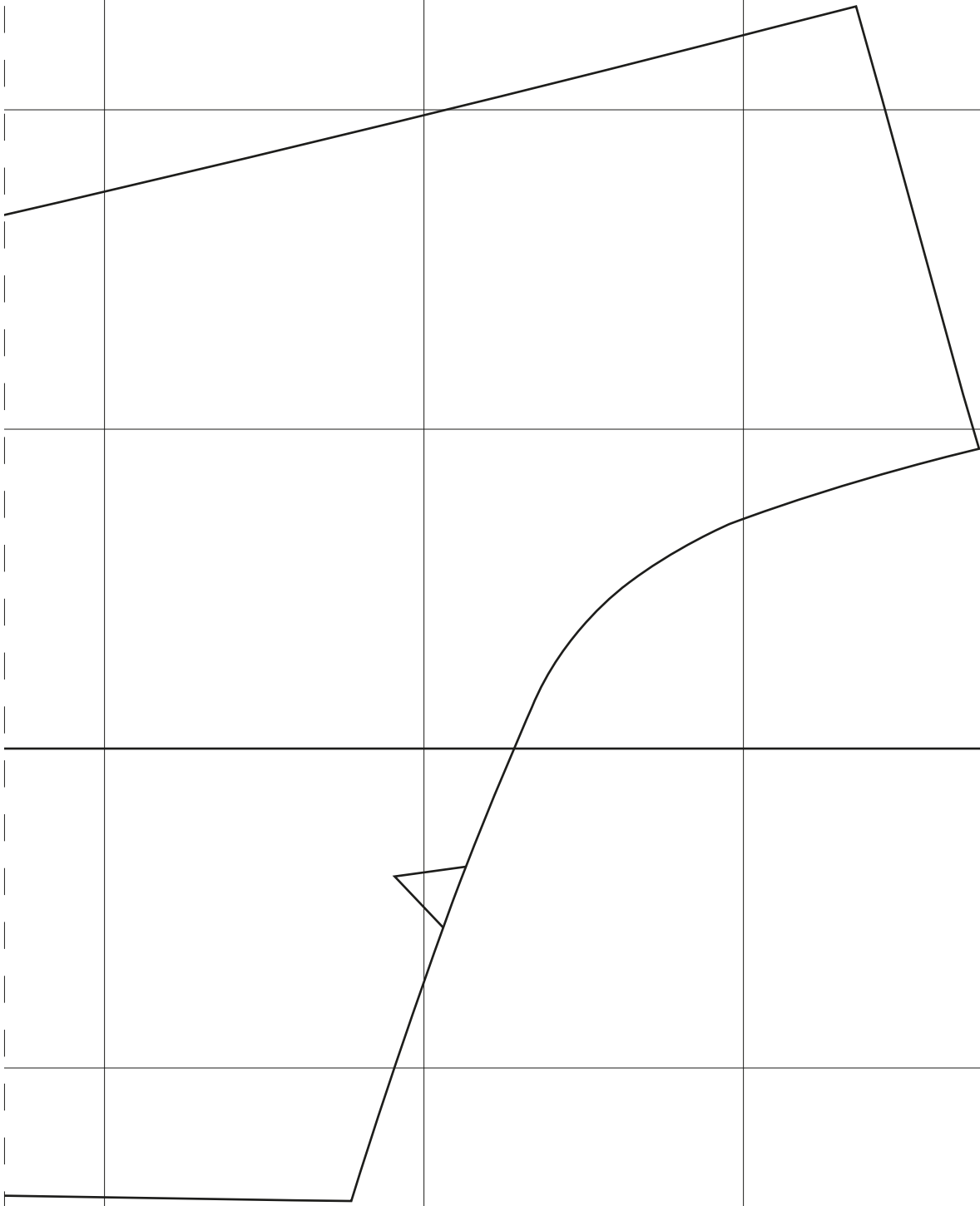
A1

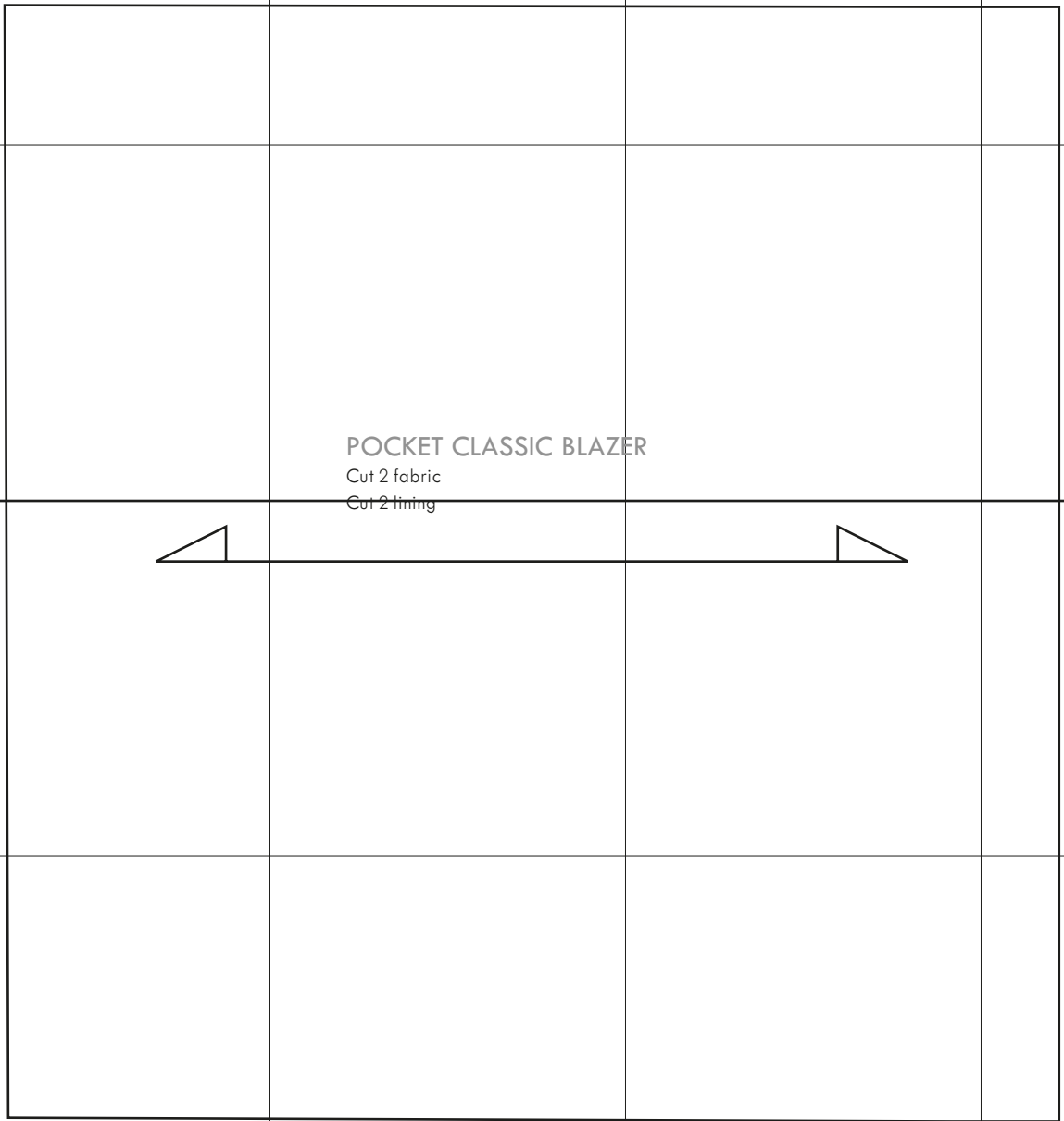




FRONT FACING
Cut 2 fabric



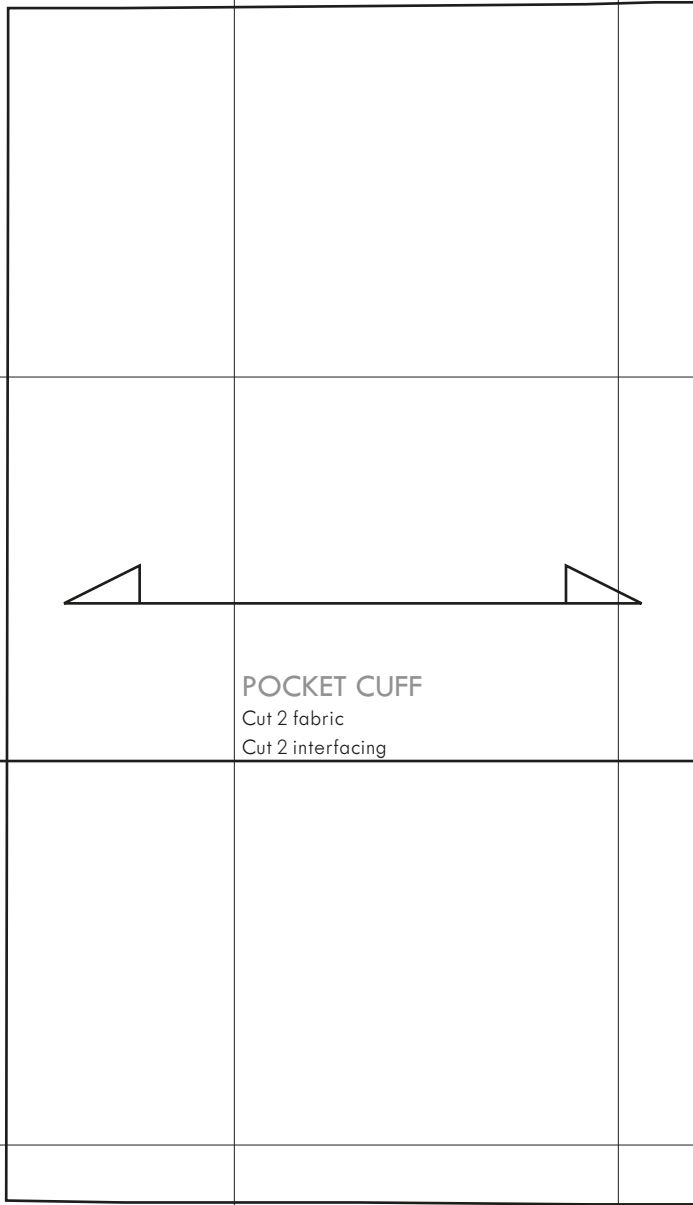




POCKET CLASSIC BLAZER

Cut 2 fabric

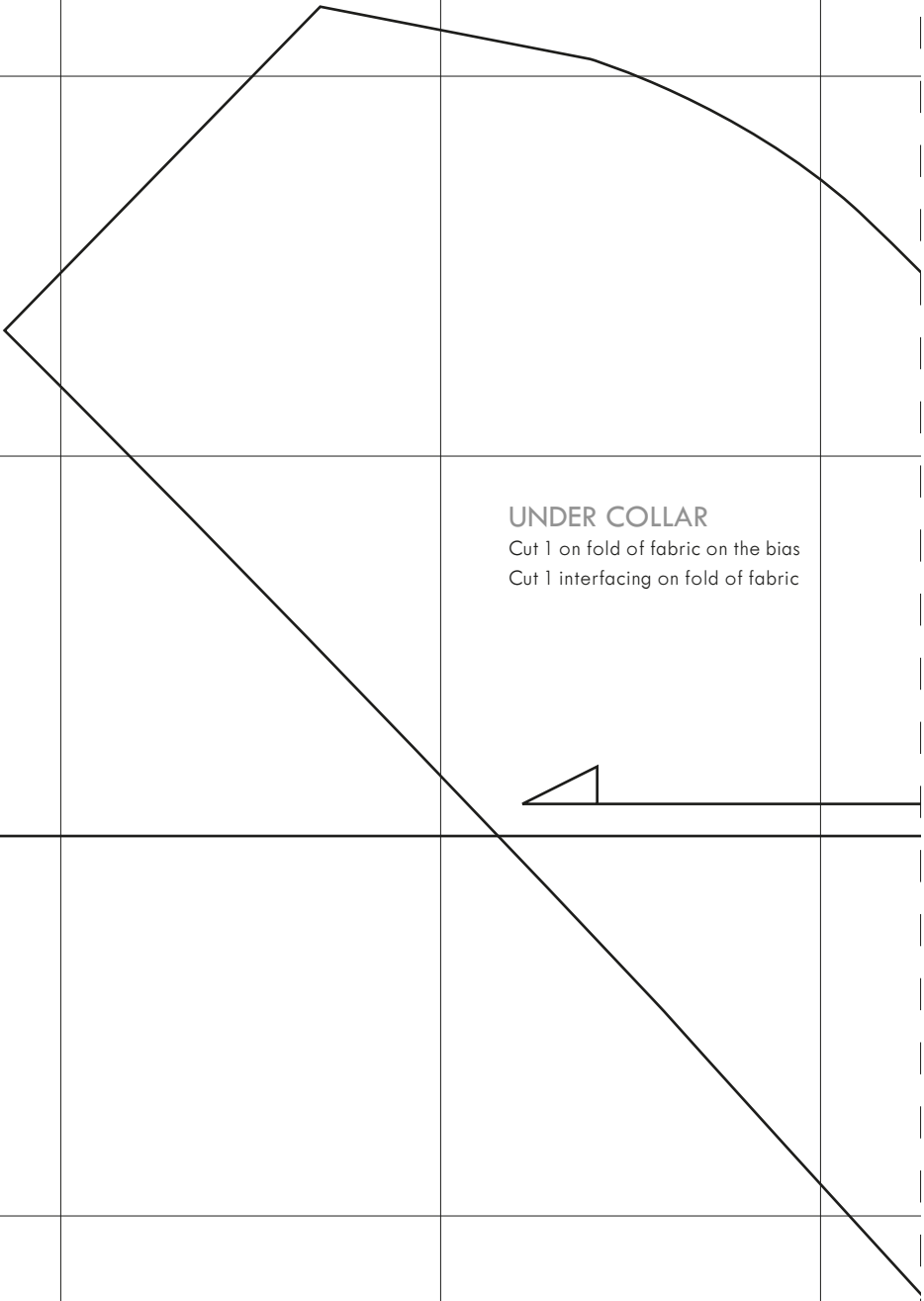
Cut 2 lining



POCKET CUFF

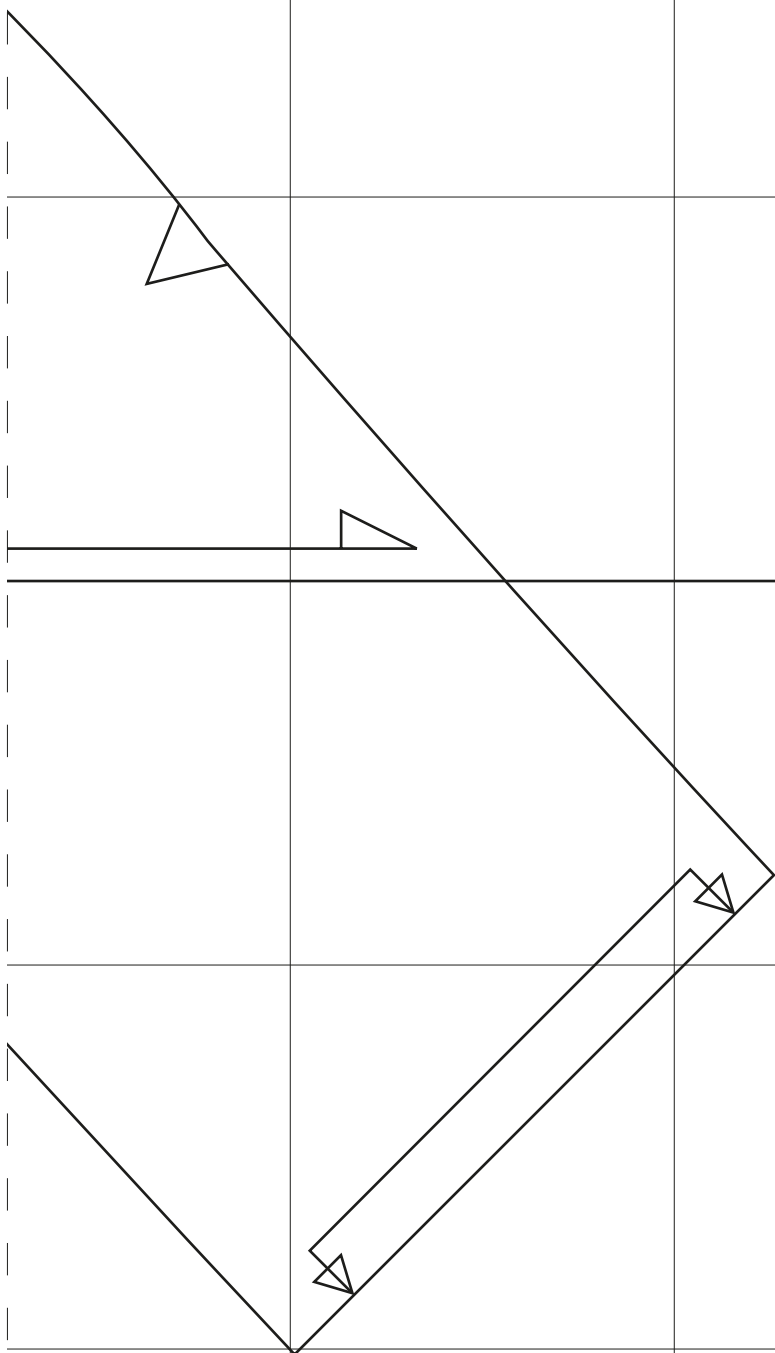
Cut 2 fabric

Cut 2 interfacing



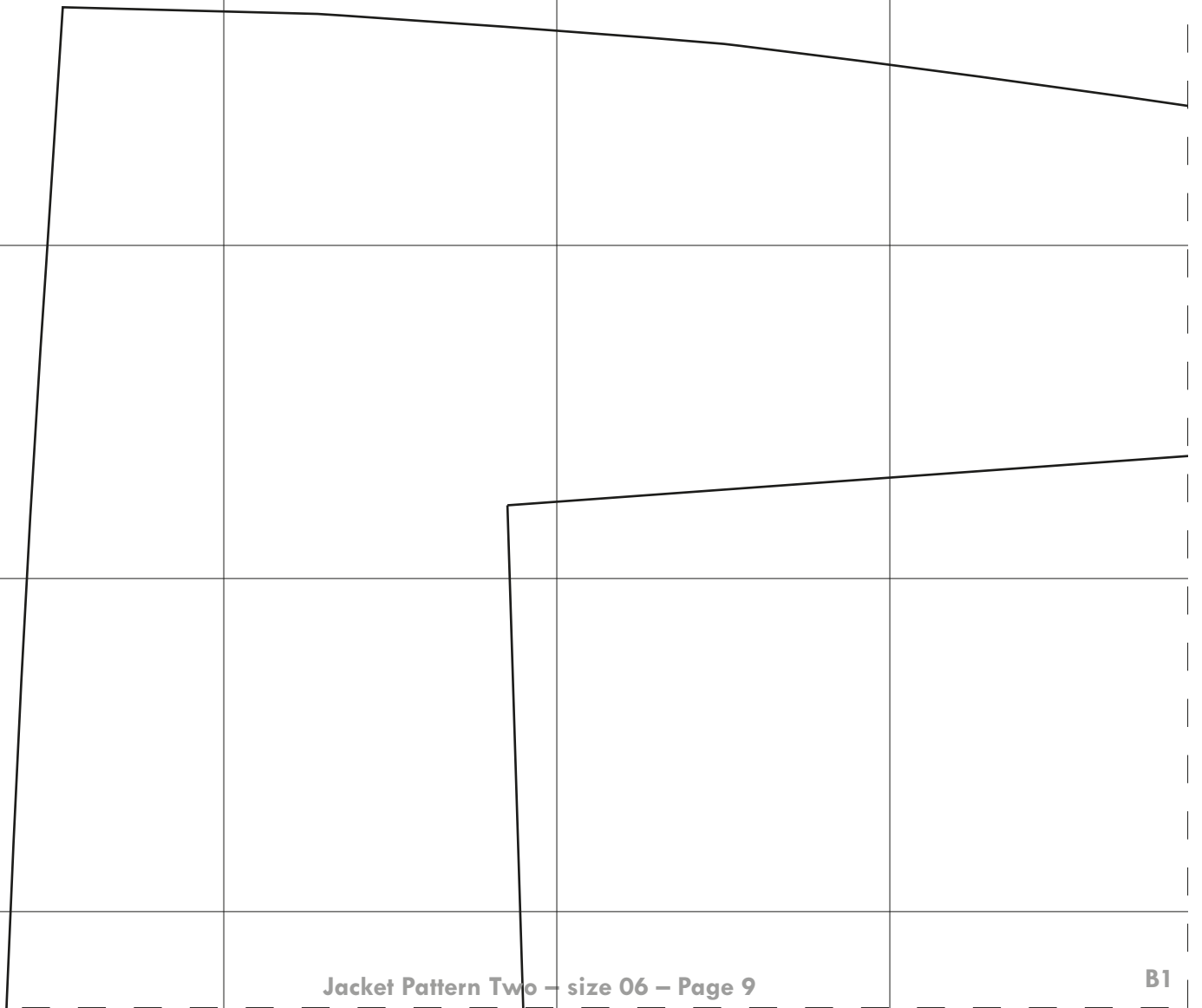
UNDER COLLAR

Cut 1 on fold of fabric on the bias
Cut 1 interfacing on fold of fabric



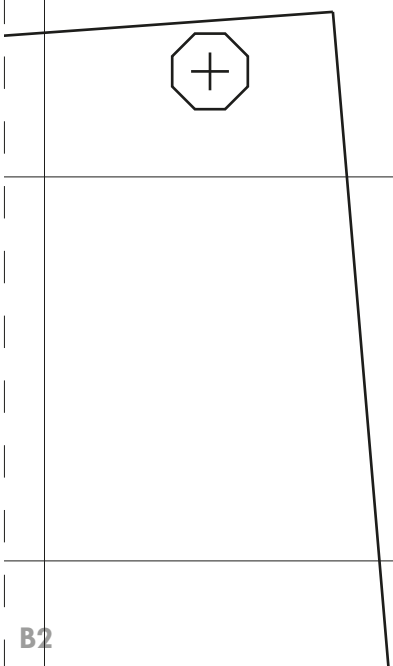
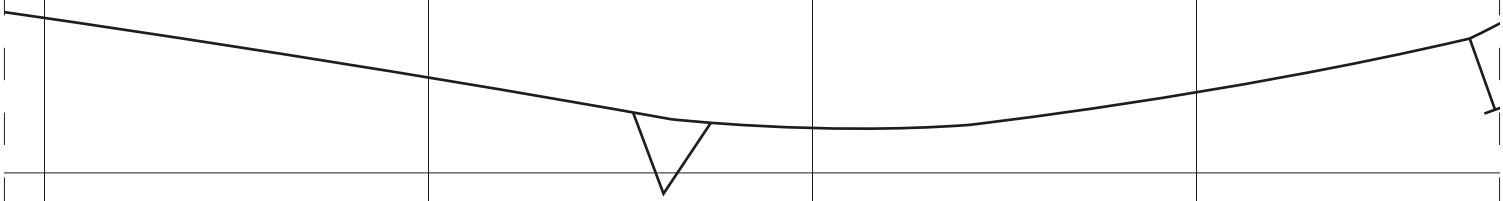
B1

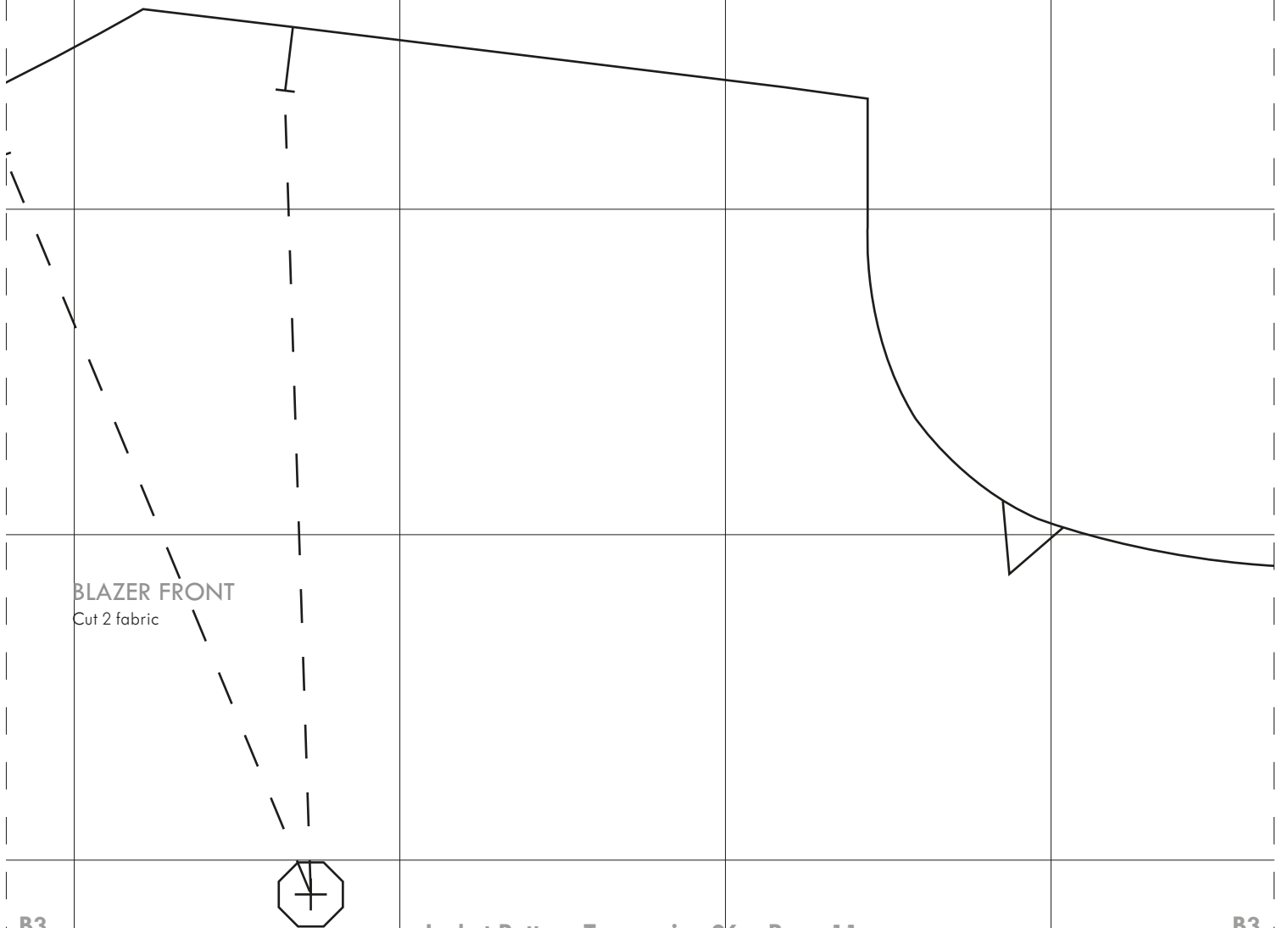
B1



B1

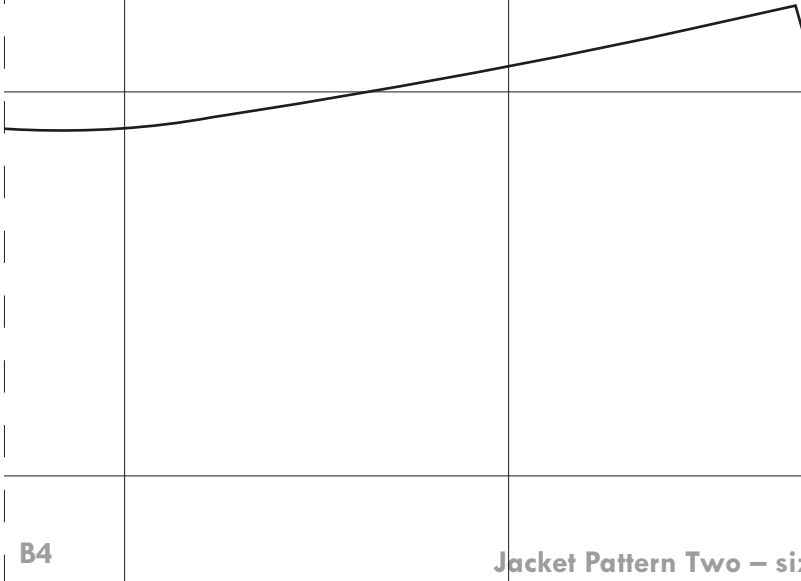
B1





B4

B4

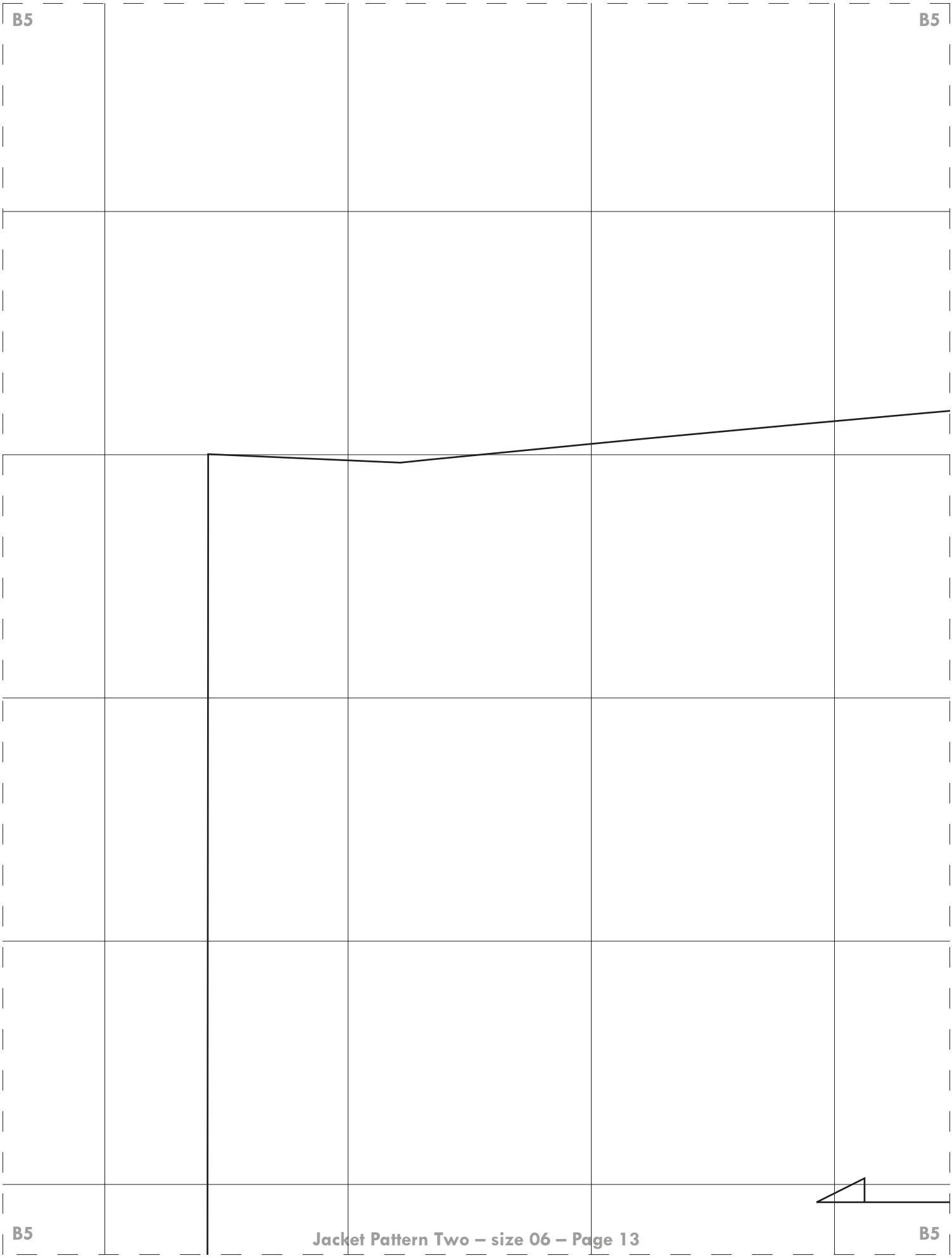


B4

B4

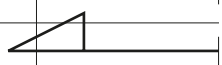
B5

B5



B5

B5



B6

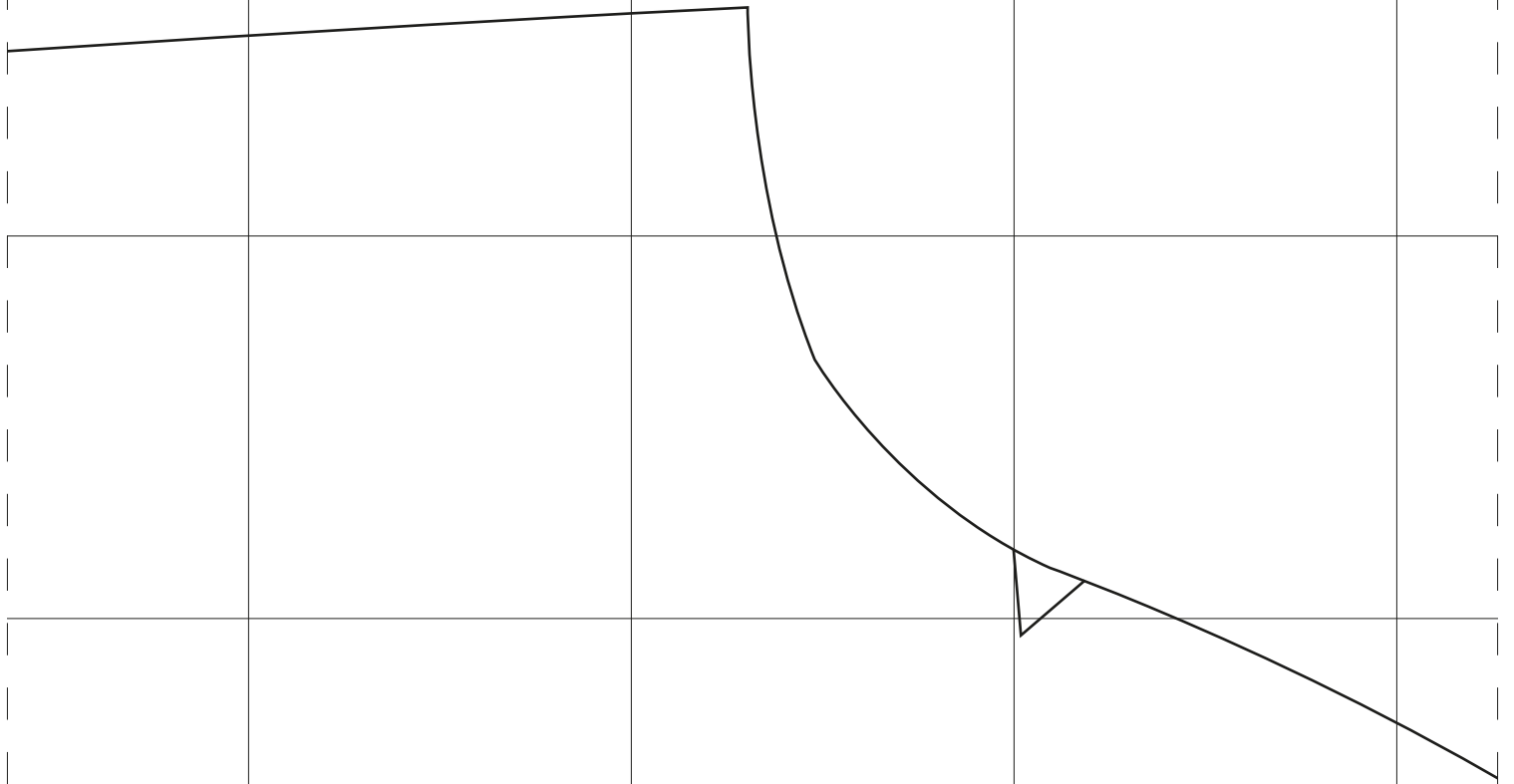
B6



SLEEVE
Cut 2 fabric

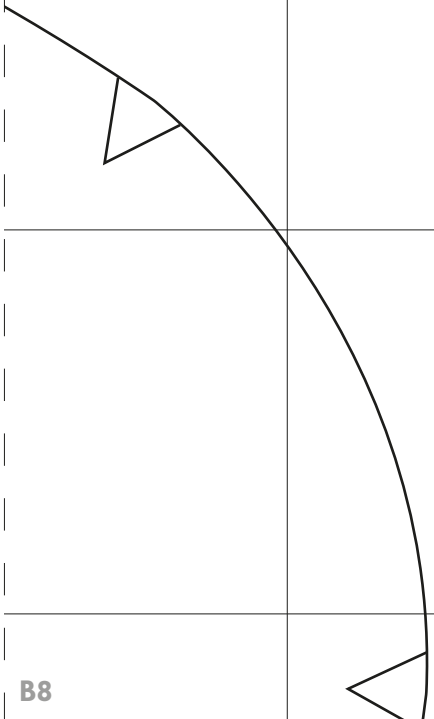
B6

B6



B8

B8

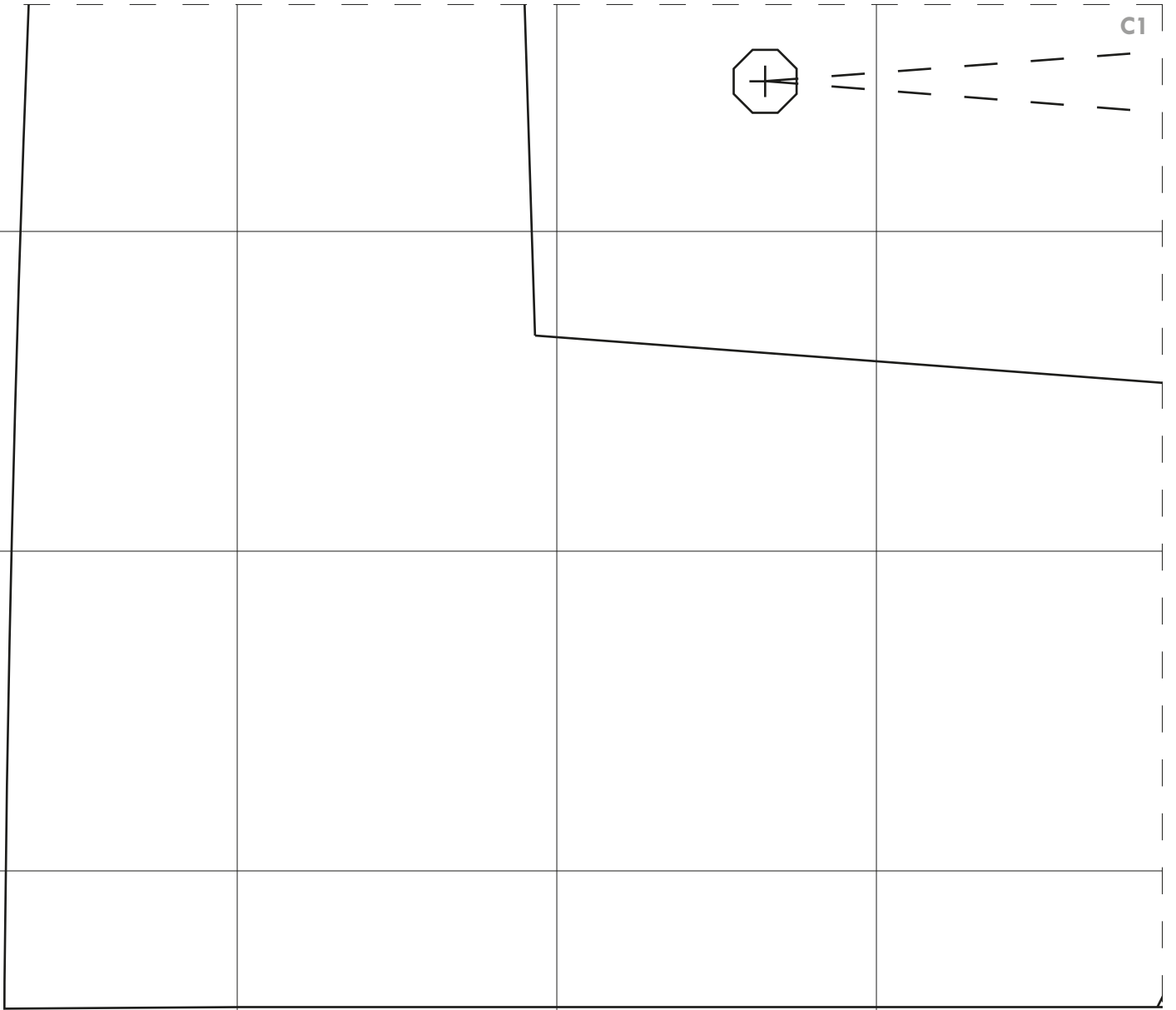


B8

B8

C1

C1

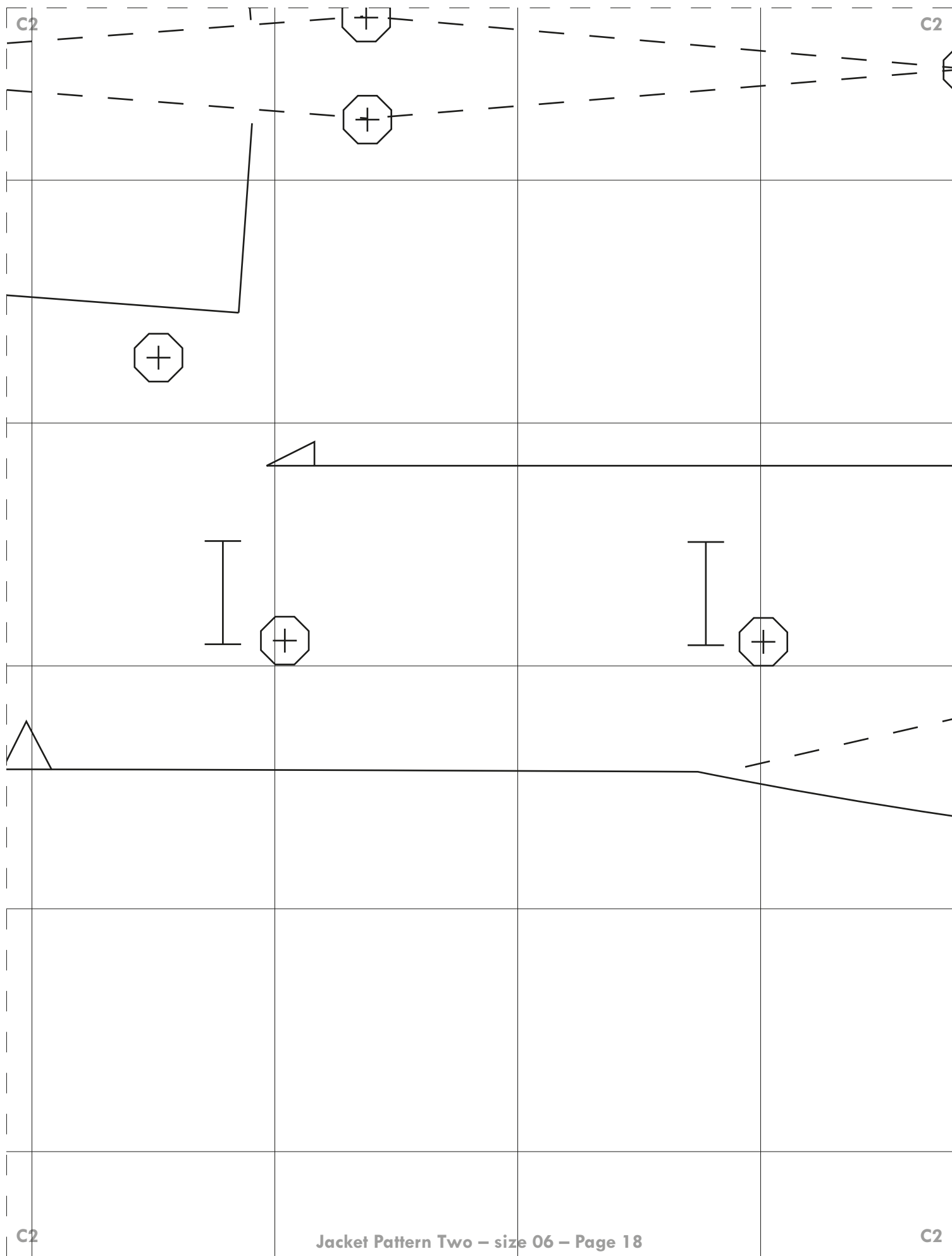


C1

C1

C2

C2

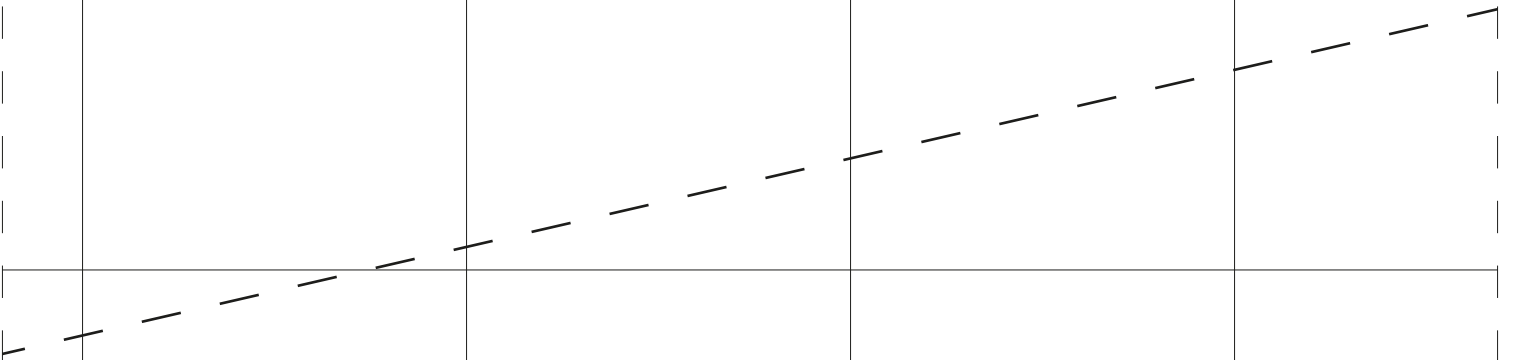


C2

C2

C3

C3

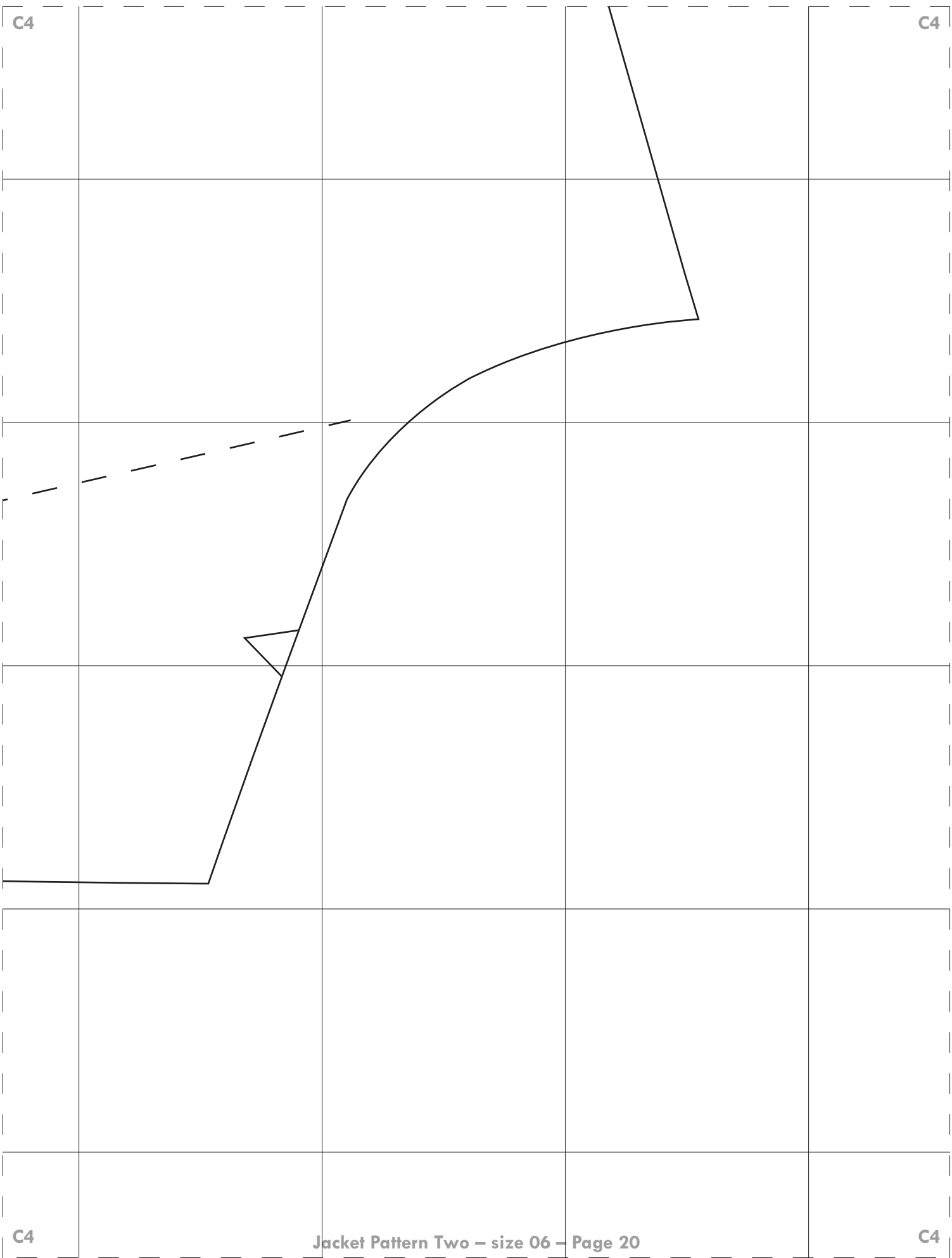


C3

C3

C4

C4

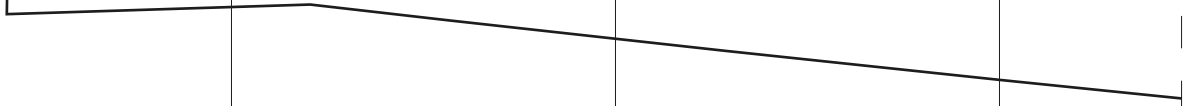


C4

C4

C5

C5

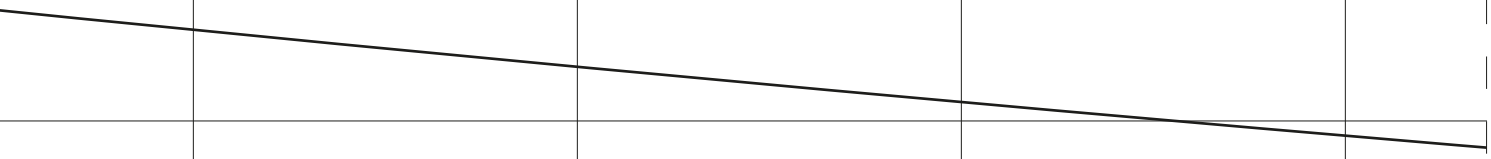


C5

C5

C6

C6

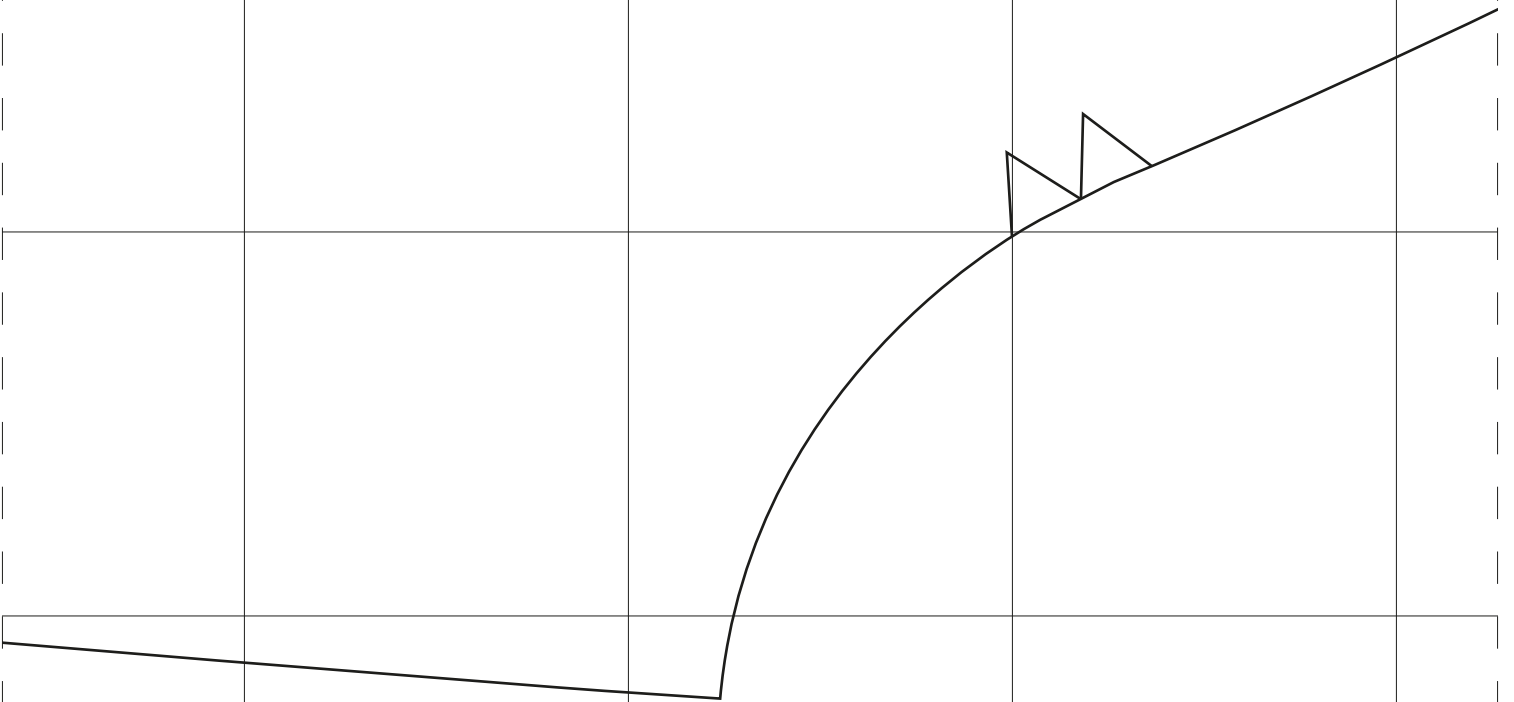
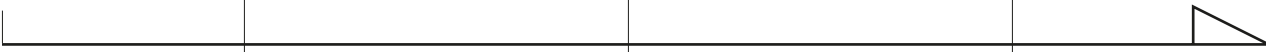


C6

C6

C7

C7

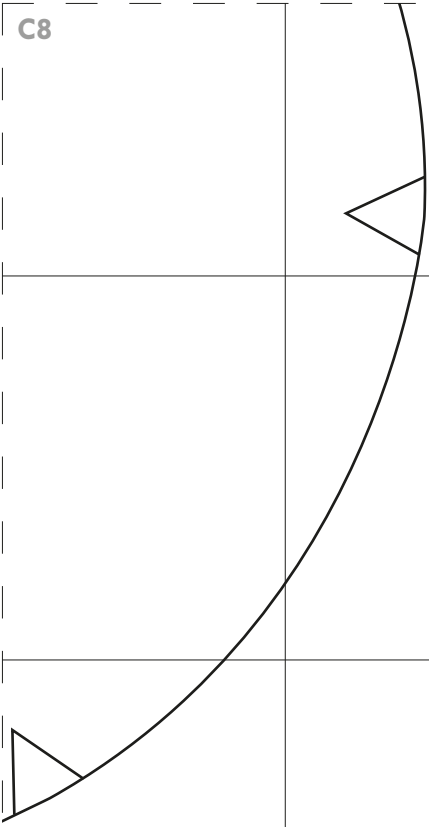


C7

C7

C8

C8



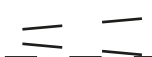
C8

C8

D1

D1

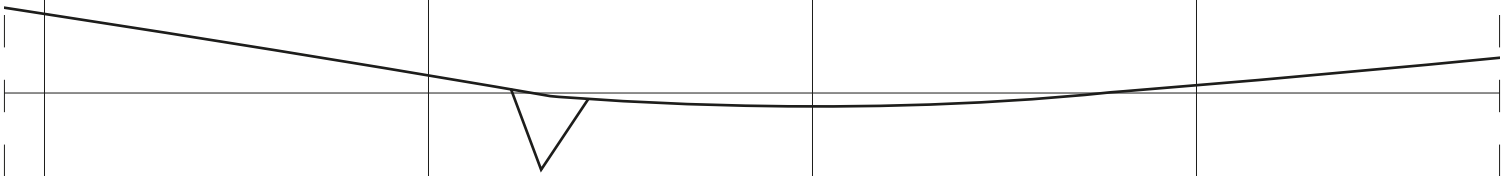
D1



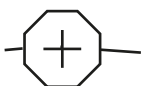
D1

D2

D2



BLAZER BACK
Cut 2 fabric

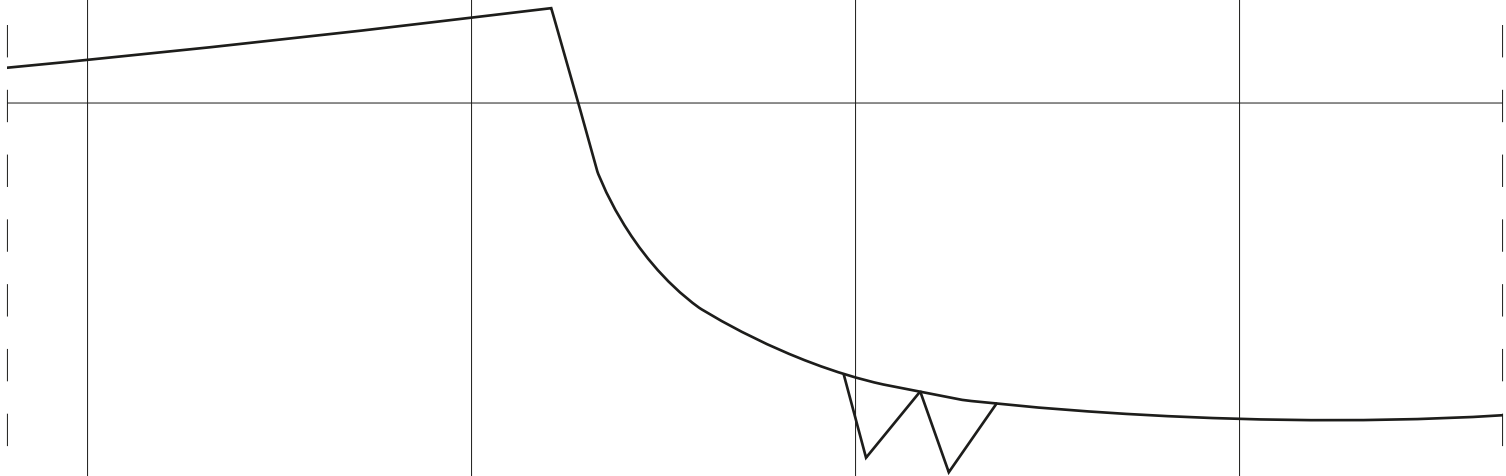


D2

D2

D3

D3



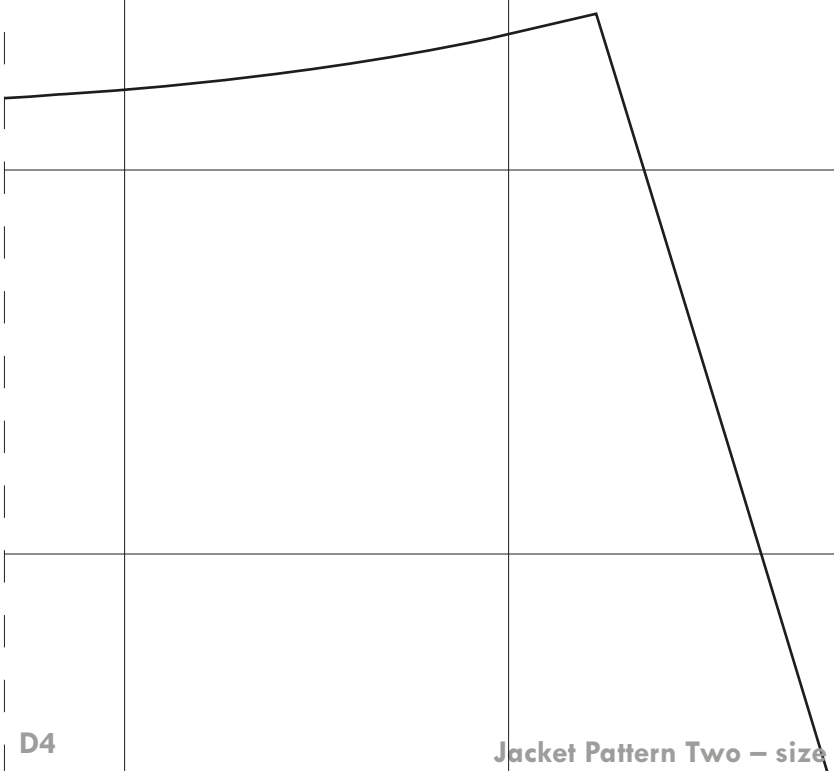
D3



D3

D4

D4



D4

D4

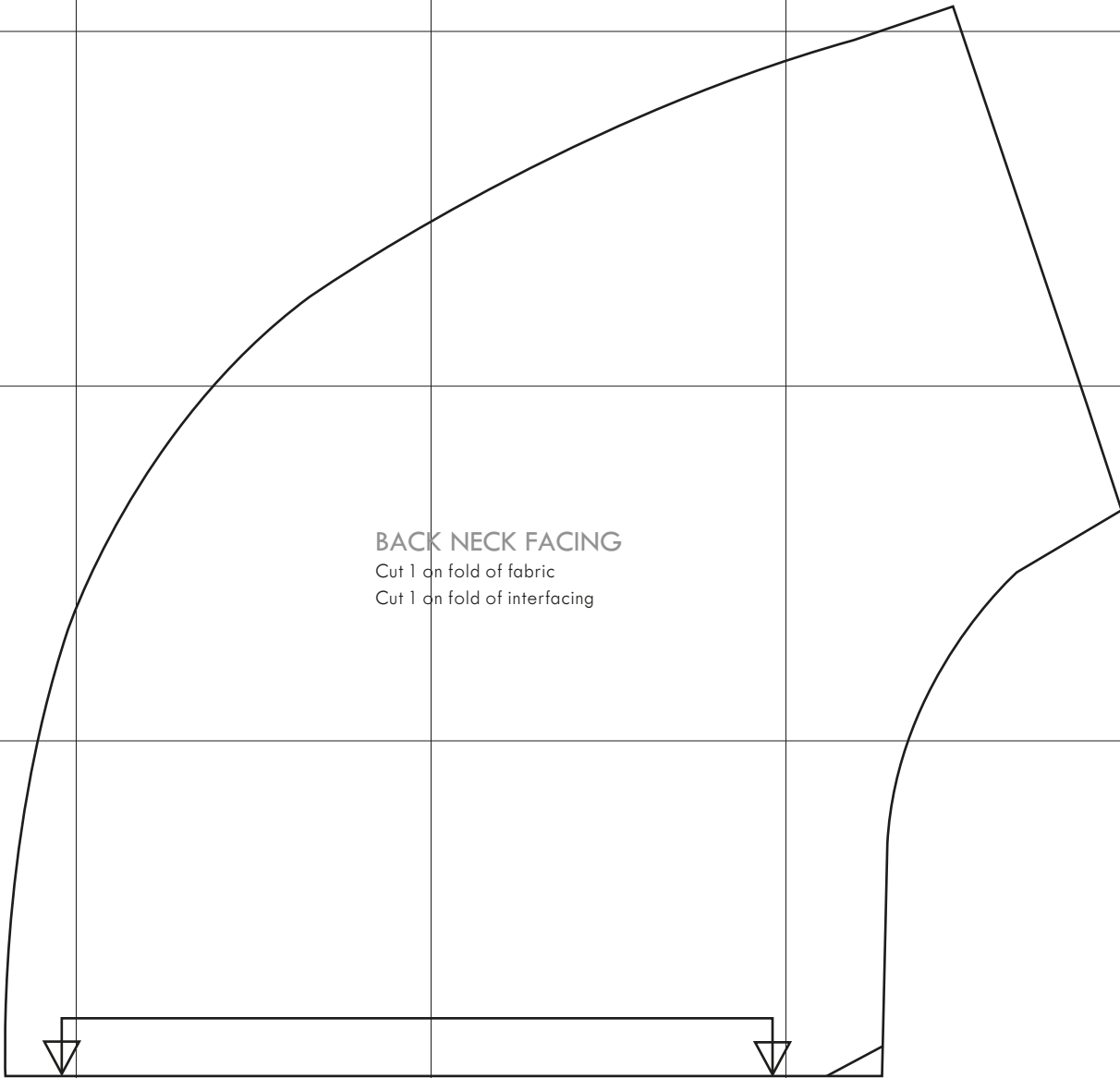
D5

D5

BACK NECK FACING

Cut 1 on fold of fabric

Cut 1 on fold of interfacing



D5

D5

E1

E1



E1

E1

E2

E2



E2

E2

E3



E3

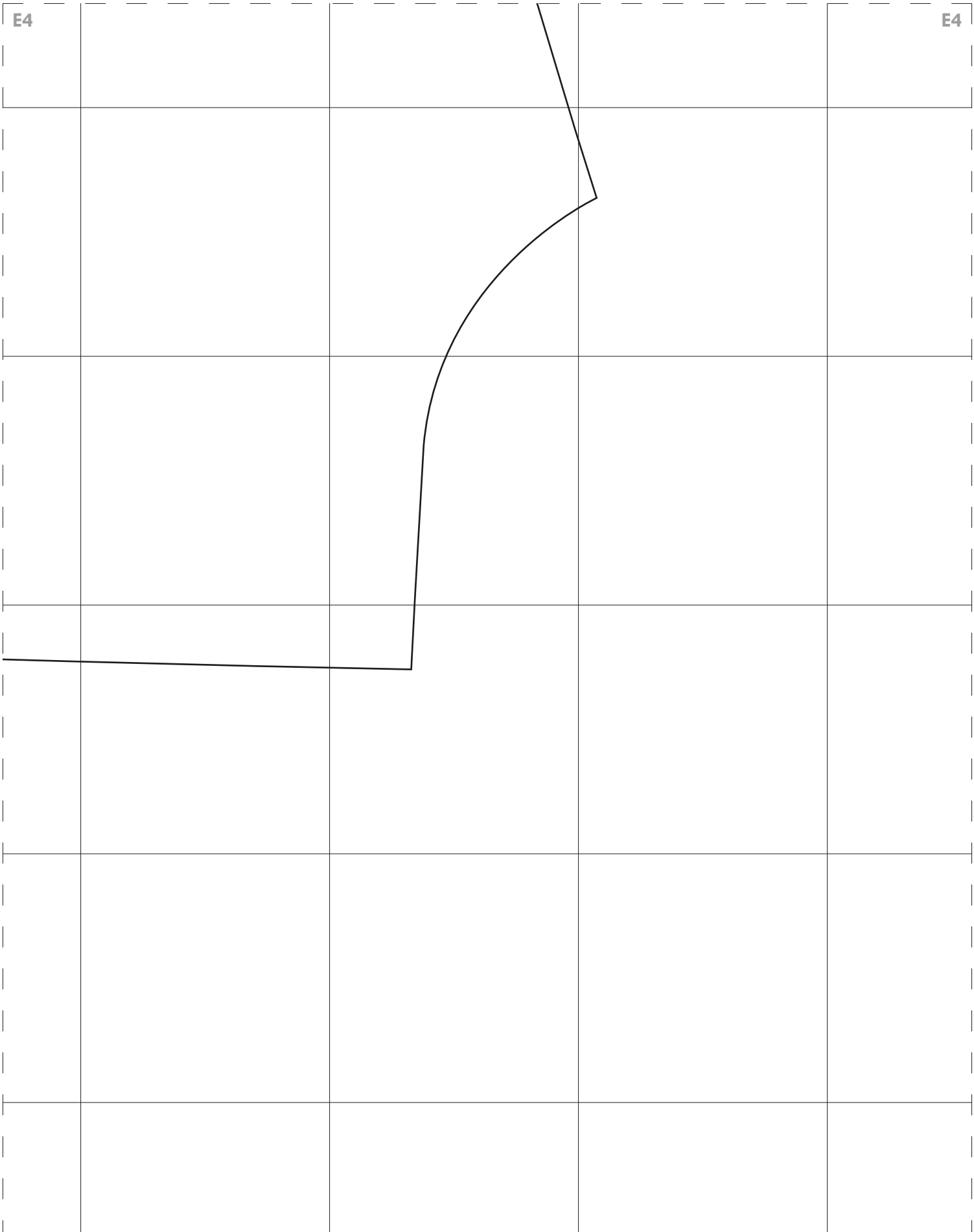


E3

E3

E4

E4



E4

E4

