

(1) Tabletop (x1)

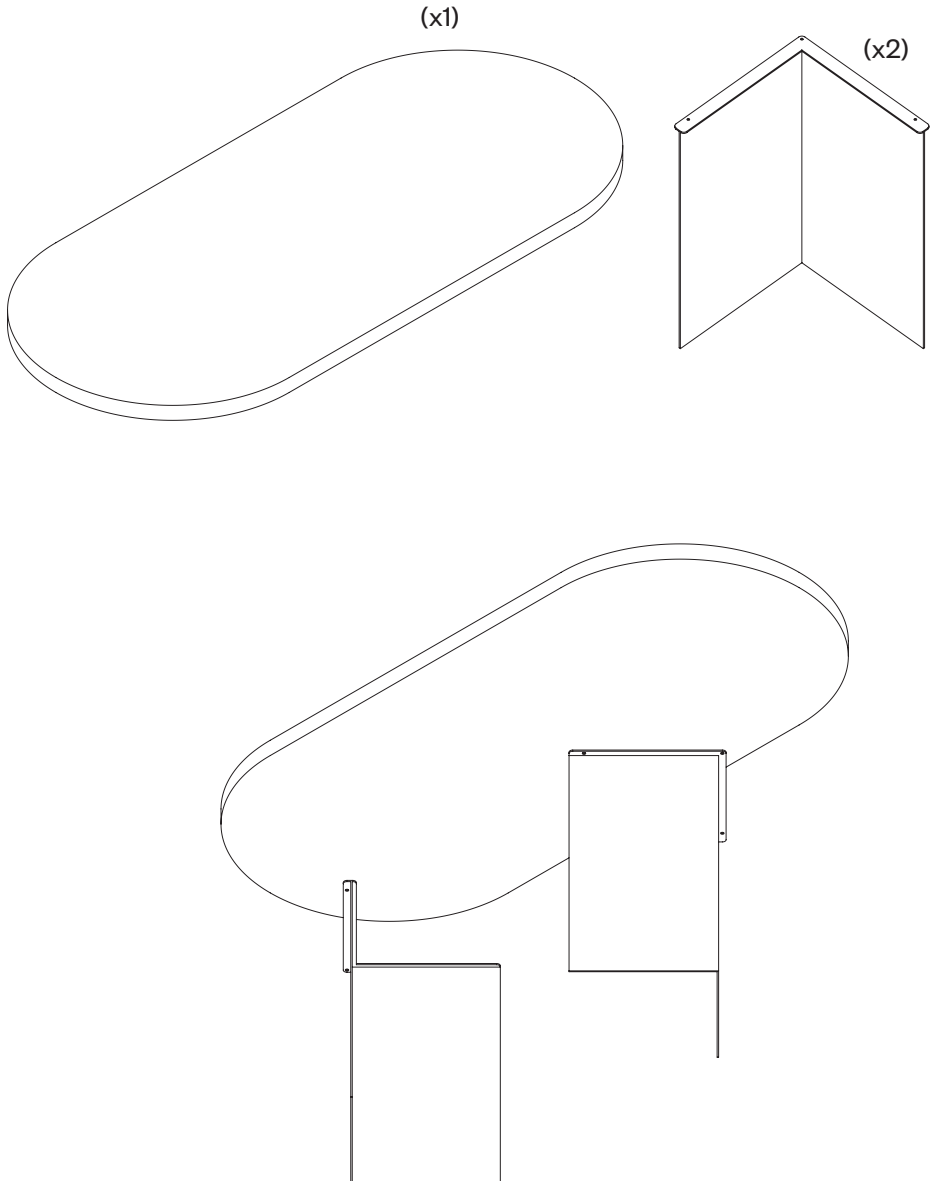
(2) Legs (x2)

(3) Screws (x6)  
+ Screwdriver

### Mounting the Tabletop <sup>(1)</sup> onto the Legs <sup>(2)</sup>

Place the tabletop onto the legs.

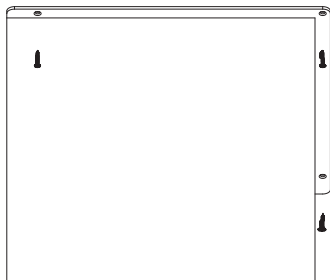
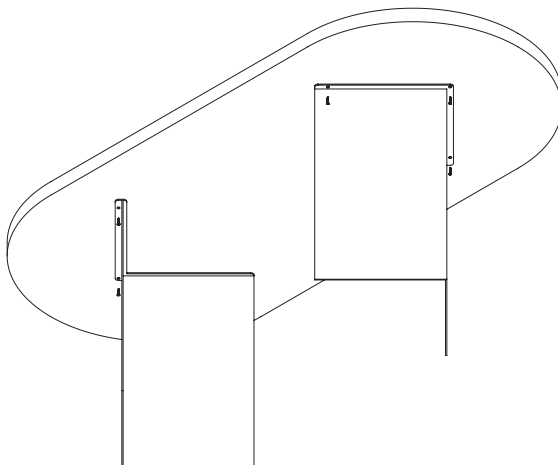
Make sure it is centered and that the distance between the legs is even.



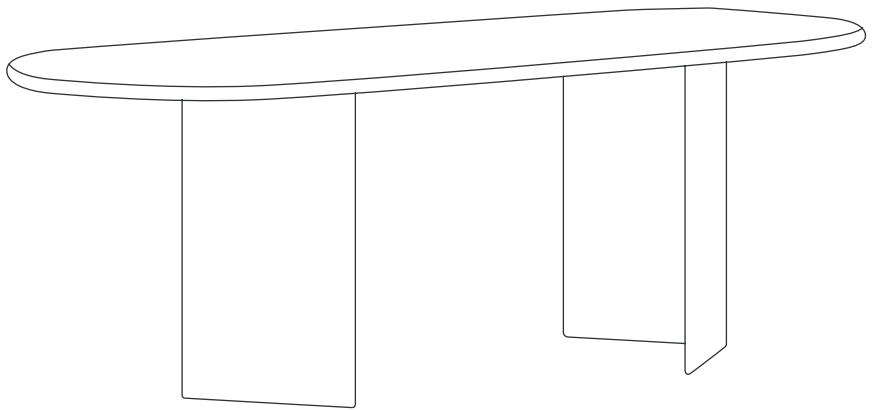
### Final Securing of the Plate <sup>(3)</sup> to the Tabletop <sup>(1)</sup>

From underneath, screw the plate to the tabletop using the holes in the plate as a guide. Tighten the screws until the table is firmly assembled.

(x6)



Your table is now ready to use!



**MARLOT BAUS**

[marlotbaus.com](http://marlotbaus.com)

[@marlotbaus](https://www.instagram.com/marlotbaus)