

(1) Tabletop (x1)

(2) Legs (x2)

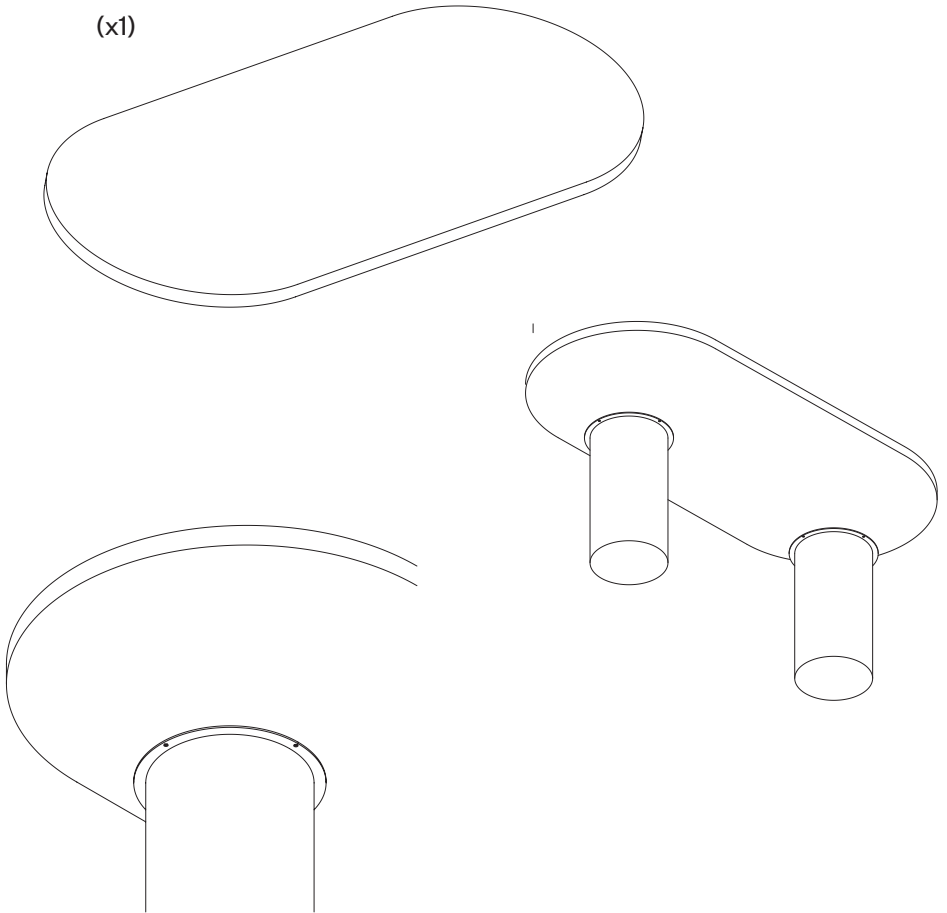
(3) Screws (x8)
+ Screwdriver

Mounting the Tabletop⁽¹⁾ onto the Legs⁽²⁾

Place the tabletop onto the legs.

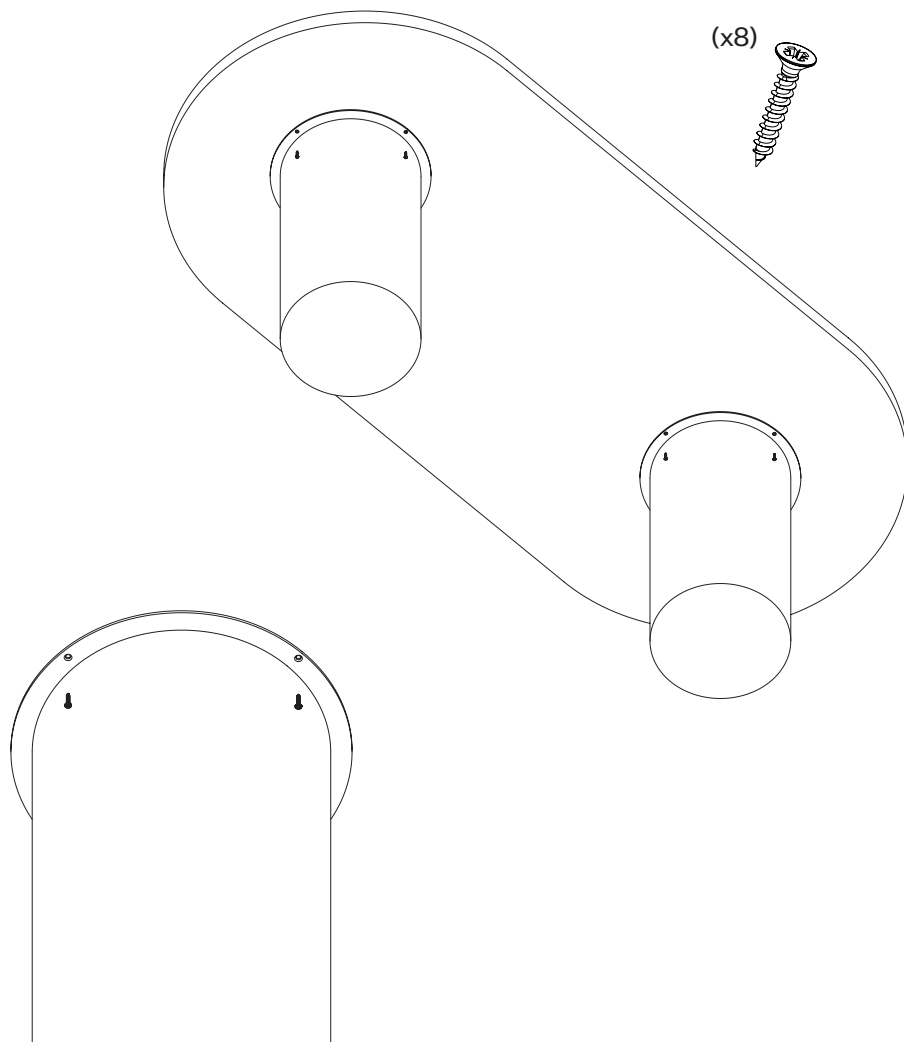
Make sure it is centered and that the distance between the legs is even.

(x1)

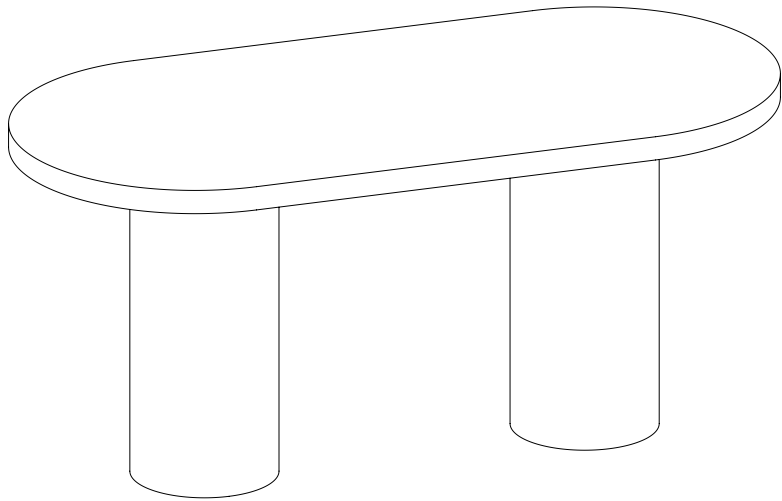


Final Securing of the Plate ⁽³⁾ to the Tabletop ⁽²⁾

From underneath, screw the plate to the tabletop using the holes in the plate as a guide. Tighten the screws until the table is firmly assembled.



Your table is now ready to use!



MARLOT BAUS

marlotbaus.com

@marlotbaus