

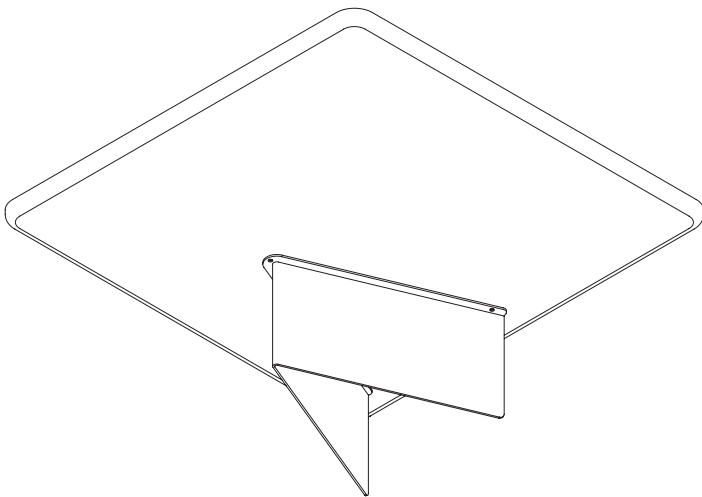
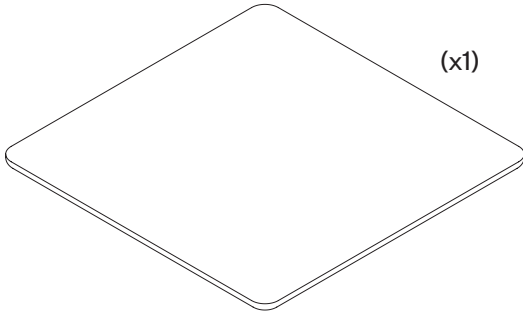
(1) Tabletop (x1)

(2) Legs (x1)

(3) Screws (x3)
+ Screwdriver

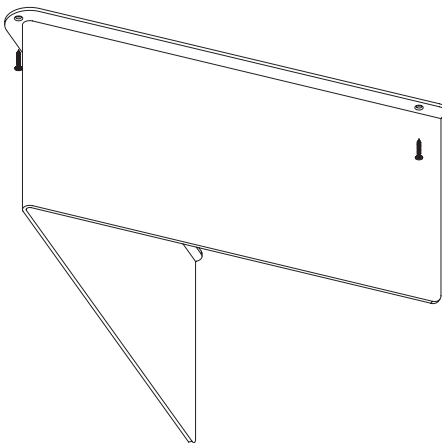
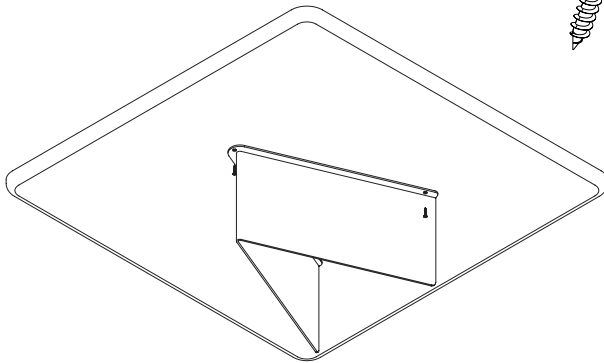
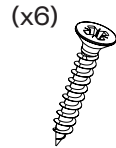
Mounting the Tabletop ⁽¹⁾ onto the Leg. ⁽²⁾

Place the tabletop onto the leg.
Make sure it is centered.

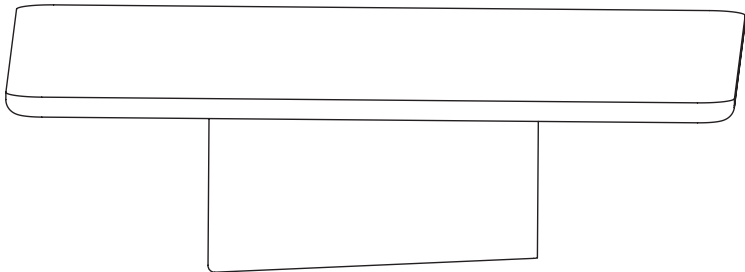


Final Securing of the Leg ⁽²⁾ to the Tabletop ⁽¹⁾

From underneath, screw the leg to the tabletop using the holes in the leg as a guide. Tighten the screws until the table is firmly assembled.



Your table is now ready to use!



MARLOT BAUS

marlotbaus.com

[@marlotbaus](https://www.instagram.com/marlotbaus)