

(1) Tabletop (x1)

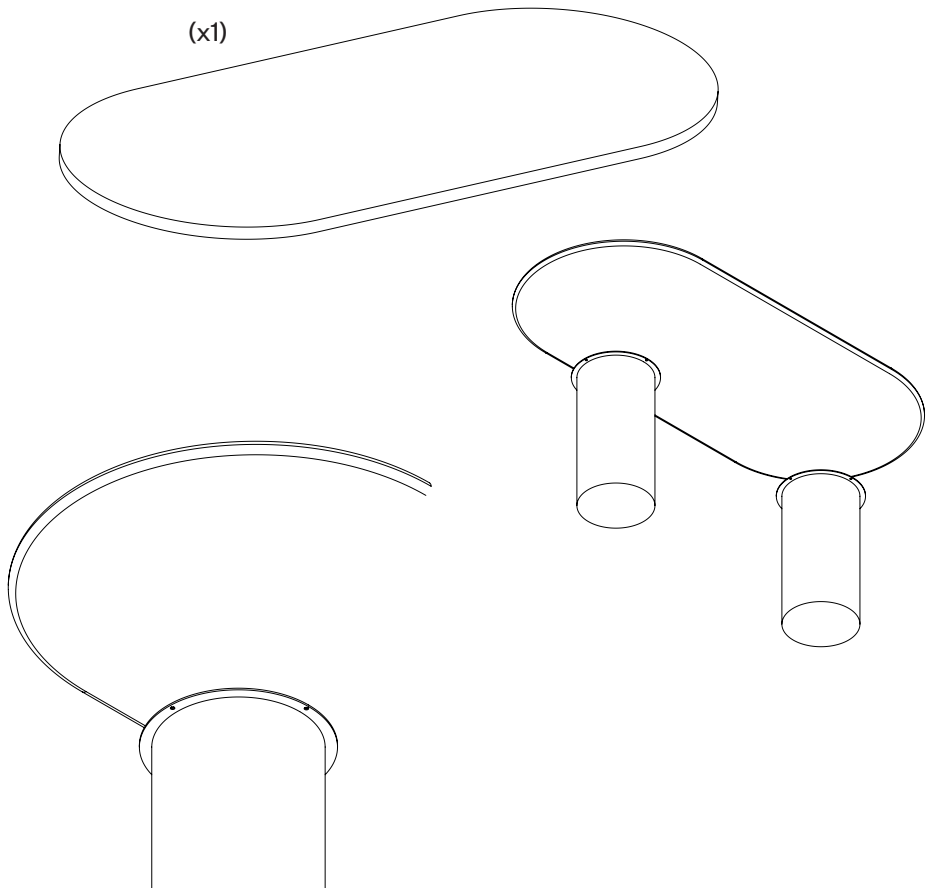
(2) Legs (x2)

(3) Screws (x8)
+ Screwdriver

Mounting the Tabletop ⁽¹⁾ onto the Legs ⁽²⁾

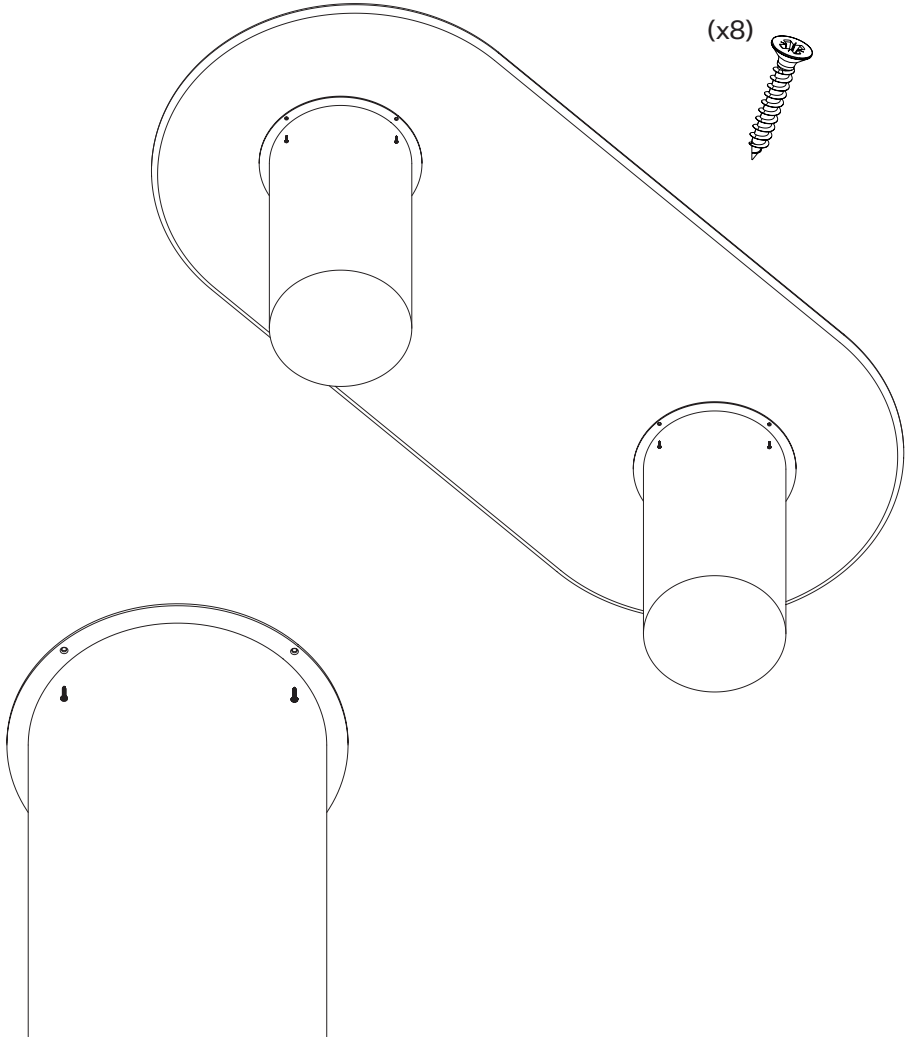
Place the tabletop onto the legs.

Make sure it is centered and that the distance between the legs is even.

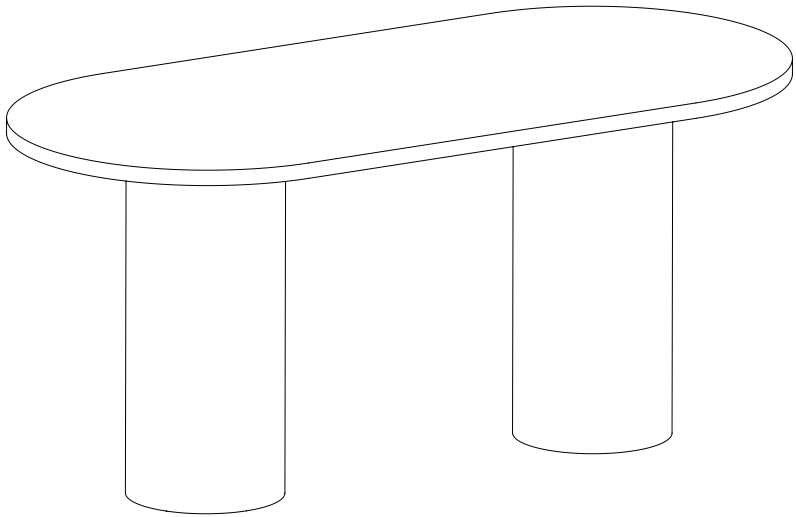


Final Securing of the Plate ⁽³⁾ to the Tabletop ⁽²⁾

From underneath, screw the plate to the tabletop using the holes in the plate as a guide. Tighten the screws until the table is firmly assembled.



Your table is now ready to use!



MARLOT BAUS

marlotbaus.com

[@marlotbaus](https://www.instagram.com/marlotbaus)