

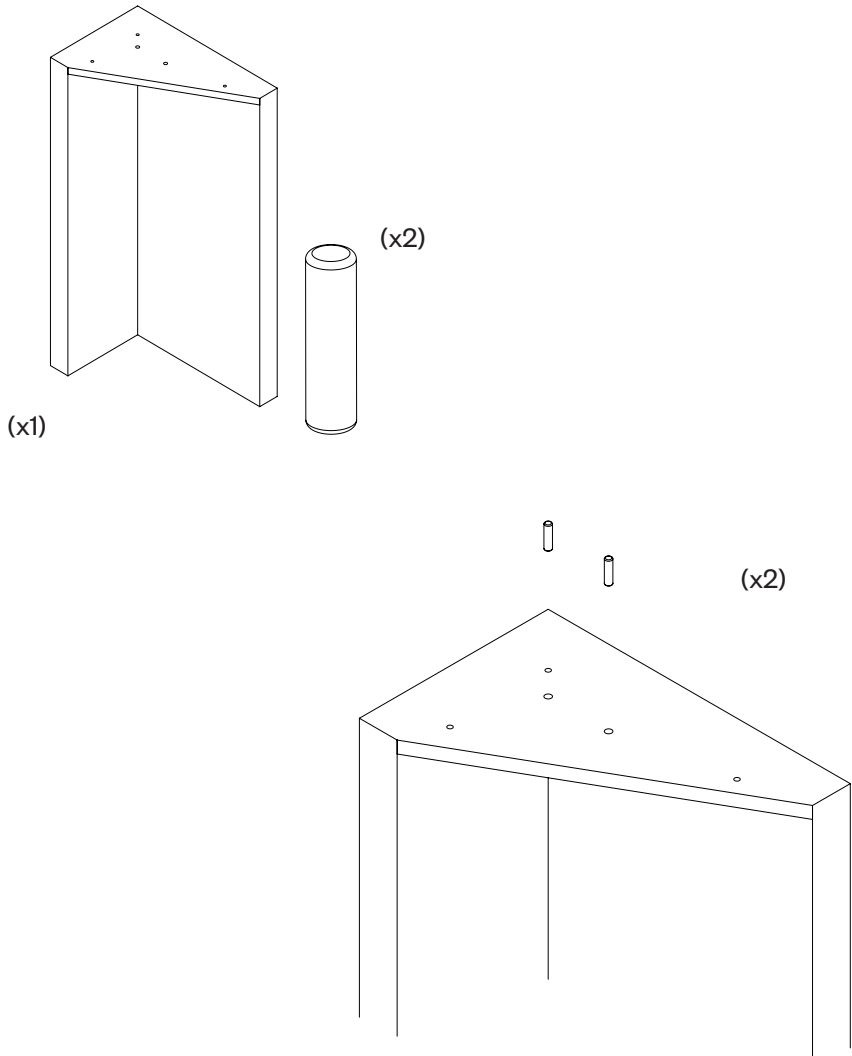
(1) Tabletop (x1)
(4) Screws (x6)

(2) Legs (x2)
+ Screwdriver

(3) Wooden Dowels (x4)

Inserting the Dowels ⁽³⁾ into the Legs ⁽²⁾

Take one leg and locate the two upper holes.
Insert two wooden dowels into these holes.
Repeat the process with the second leg.



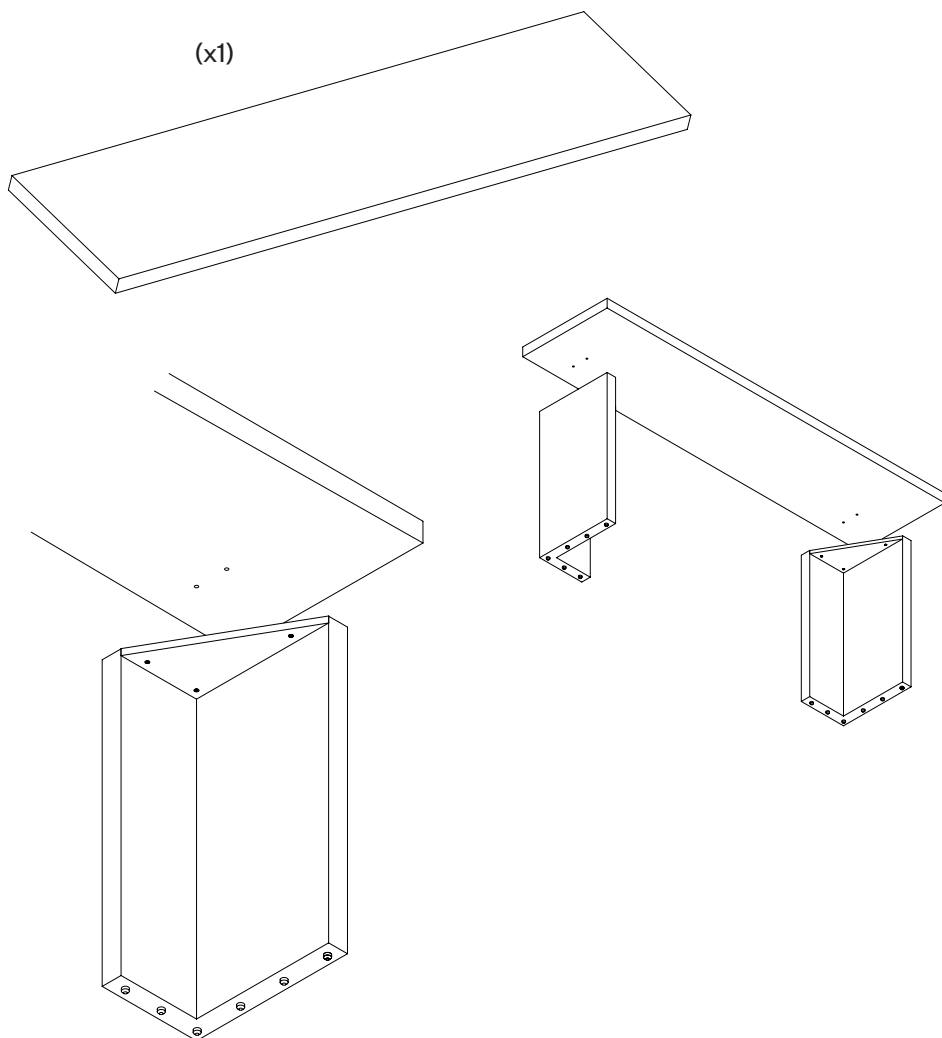
Mounting the Tabletop ⁽¹⁾ onto the Legs ⁽²⁾

Place the tabletop onto the legs.

Make sure the wooden dowels on each leg align with the corresponding holes in the tabletop.

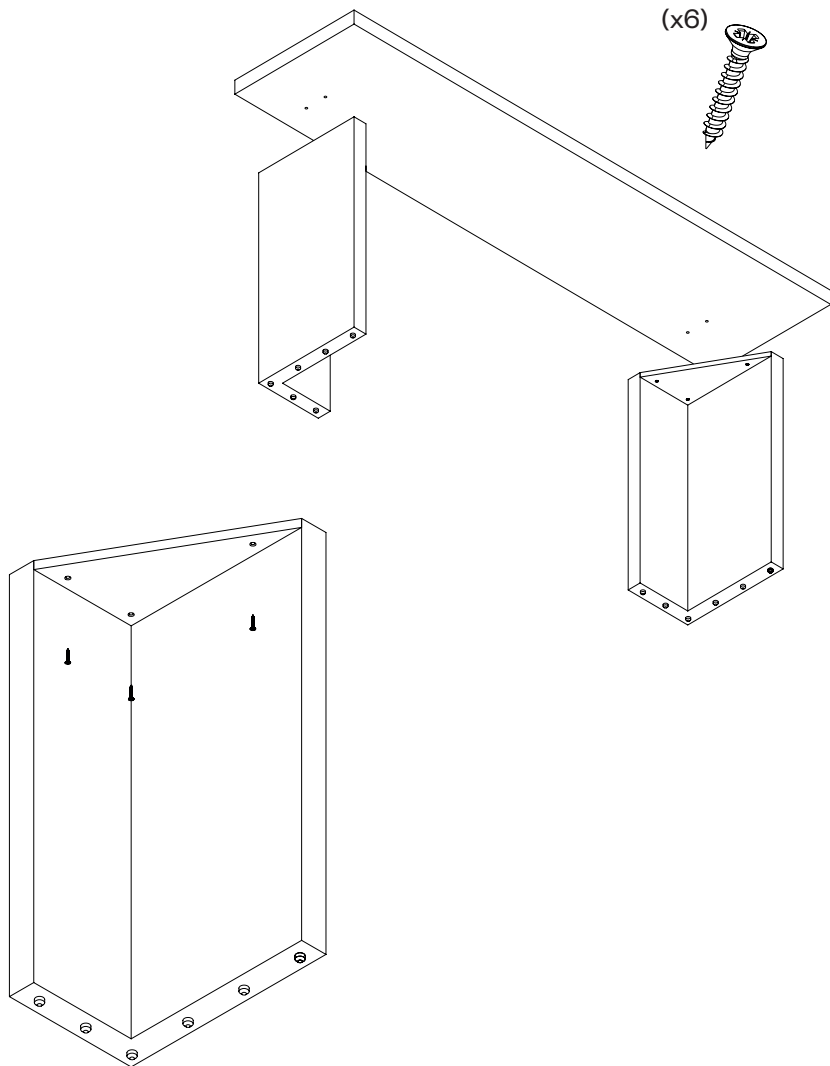
Gently press down to fit the dowels into the holes until the tabletop is securely in place.

Check that all legs are firm and properly aligned before proceeding.



Final Securing of the Legs ⁽²⁾ to the Tabletop ⁽¹⁾

From underneath, screw the legs to the tabletop using the holes in the legs as a guide. Tighten the screws until the table is firmly assembled.



Your table is now ready to use!



MARLOT BAUS

marlotbaus.com

@marlotbaus