

## SPECIFICATIONS

	N6 2"		N6 5"	
<b>Distance Measurement</b>				
Range	R10	R15	R10	R15
Reflector	5000m*1			
Reflectorless*2	1000m	1500m	1000m	1500m
<b>Accuracy IOS 17123-4</b>				
Reflector	$\pm(2+2\text{ppm} \times D)\text{mm}$			
Reflectorless	$\pm(3+2\text{ppm} \times D)\text{mm}$			
<b>Measuring Interval</b>				
With Reflector	Fine < 0.3s, Tracking < 0.1s			
Without Reflector	0.3s-3s*3			
<b>Others</b>				
EDM Type	Coaxial			
Minimum Reading	0.1mm			
Unit	Meter/ US.Feet/ Int.Feet/ Feet-inch			
<b>Angle Measurement</b>				
Accuracy IOS 17123-3	2"		5"	
Reading System	Absolute Encoding			
Circle Diameter	79mm			
Minimum Increment	1"/5"			
Detection Method	Horizontal: Dual, Vertical: Dual			
<b>Telescope</b>				
Image	Erect			
Tube Length	154mm			
Effective Aperture	45mm (EDM:50MM)			
Magnification	30x			
Field of View	1°30'			
Minimum Focus Distance	1.4m			
Resolving Power	3"			
<b>Tilt Sensor</b>				
System	Dual Axis Liquid-Electric			
Working Range	$\pm 4'$			
Accuracy	1"			
<b>Communications</b>				
Communication Ports	RS-232			
Data Interface	SD Card, USB Port, Bluetooth			
Effective Range of Bluetooth	5m			
<b>Plummet</b>				
Laser Plummet	$\pm 1.5\text{mm}$ at 1.5m			
Optical Plummet (Optional)	Erect Image			
Magnification	3 x			
Focusing Range	0,5m $\sim\infty$			
Field of View	5°			
<b>Power</b>				
Type	Rechargeable Lithium battery			
Voltage	7.4V DC, 3100mAH			
Operating Time	8 Hours*4			
<b>Level Vials</b>				
Plate Vial	30"/2mm			
Circular Vial	8"/2mm			
<b>Others</b>				
Dust and Water Protection	IP55			
Display	Dual Side, LCD 6 Lines			
Keyboard	Alphanumeric 24 Keys			
Operating Temperature	-20°C ~ +50°C			
Atmosphere Correction	Manual Input, Auto Correction			
Earth Curvature Correction	Manual Input, Auto Correction			
Prism Constant	Manual Input, Auto Correction			
Dimension	160mm x 150mm x 330mm			
Weight (approx..)	5.2kg			

## STANDARD PACKING LIST

Main unit	1x
Lens cover	1x
Battery holder	1x
Battery LB-01	2x
Tools pouch	1x
Plummet	1x
SD card	1x
Manual	1x
Warranty card	1x
Charger LC-01	1x
Reflective sheet	1x
Carry case	1x
Belt	2x
Mini USB cable	1x

- \*1. Good Conditions: good visibility about 20km, overcast, no scintillation.
- \*2. Under Kodak Gray (90%). Measuring distance may vary depending on targets and the conditions.
- \*3. Measuring time may vary depending on measure distance and conditions. For the initial measurement, it may take a longer time.
- \*4. Battery life specification at 25°C . It might be shorter in low temperature or if the battery is old.

## OPTIONAL ACCESSORIES



ATS-2 Wooden Tripod  
NLS-15 Prism Pole  
TK21T Prism Set

You Local Authorized Dealer

**SOUTH**  
Target your success

# N6 Series

## New Generation Total Station

**WORLD'S FIRST**

**Dual Laser EDM**



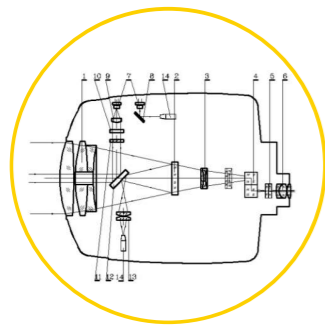
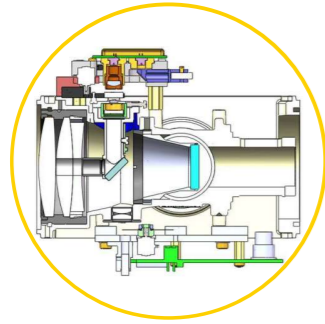
**SOUTH**  
Target your success

**SOUTH SURVEYING & MAPPING TECHNOLOGY CO., LTD.**

Add: South Geo-information Industrial Park, No. 39 Si Cheng Road, Tian He IBD, Guangzhou 510663, China  
Tel: +86-20-23380888 Fax: +86-20-23380800  
E-mail: mail@southsurvey.com export@southsurvey.com impexp@southsurvey.com euoffice@southsurvey.com  
http://www.southinstrument.com

Version: N6 2.0

# World's First- Dual Laser EDM



## How does dual laser works



Brand new dual laser EDM, it switches in & out light path by electronic laser circuit instead of motor control by mechanical parts.



Combine with updated EDM processor CORTEX M4, dual laser EDM will largely decrease the interval of measurement with stronger return signal.



Through improved noise reduction, weak signal processing is optimized (SNR increased 4 times).



Less light refraction and crosstalk with optimized optical structure.



Better alignment with coaxial mechanical improvement.



Multiple methods for data transfer.

## Long-Range EDM



Up to 1500m reflectorless range with quick response in 0.3s. N6 can easily handle the target in tough conditions, eg. roof, wires. also enables N6 to achieve accurate (2+2ppm) measurement in 5.0km with prism.

## Smaller Laser Spot



At the distance: 5m, 35m and 50m, N6's laser spot has improved to an accurate size in 3mm, 12mm and 16mm. The smaller laser spot provides a precise guidance for target aiming.

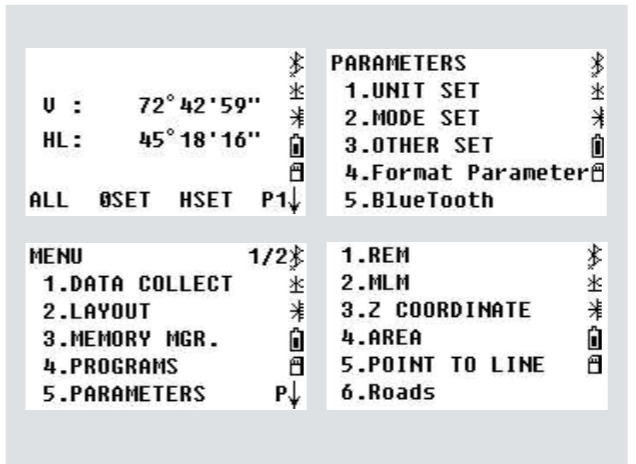
## Easy-to-use Onboard System

New tool-bar design on the side of screen, which helps you check the status of your N6 Total Station in real-time.

Choose N6 to meet your topographic needs as a superior mates. It offers a clear-to-view onboard system by it's easy-to-use but powerful programs.

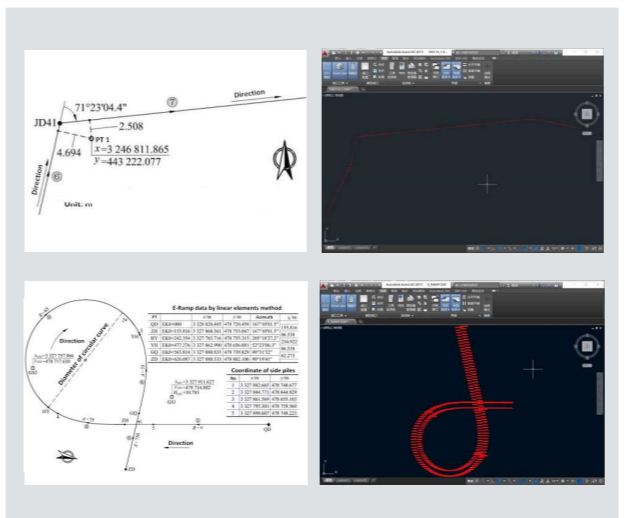
Such as:

- ▶ Offset: angle, distance, column offset
- ▶ Point to Line: to calculate the coordinate of occupied point based on a known point and line
- ▶ COGO: calculation of coordinate geometry



## Optimized Road Program

The optimized road program offers a smart solution for road designing, editing and laying out. The new road program will calculate the horizontal and vertical curve in arbitrary geometric curved algorithm.

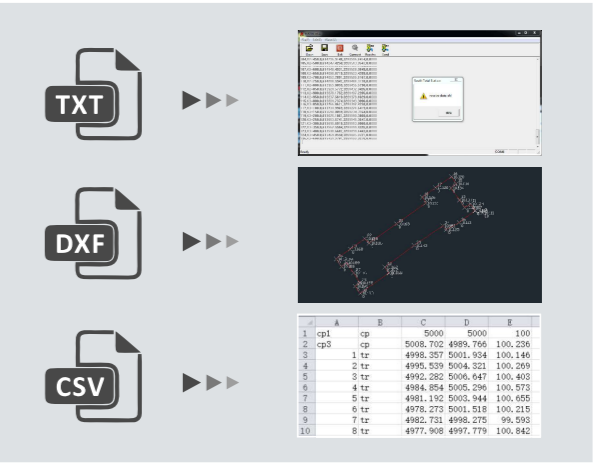


## Bi-Directional Data Transfer

All the N6 series support Bluetooth communications to external data collectors, a RS-232 port for commands, a card slot and a USB port for data transfer via SD card or flash disk.

One key data transfer to SD card. The files including RAW data in TXT format, DXF and CSV.

Cooperate with South Communication Software on PC, the data in N6 can be seamless converse to the third-party software to finish the post-processing.



## Work on Data Collector

After added the Bluetooth module on N6, you will have more possibilities to extend the applications on Total Station. With open source commands, you are easy to establish the communications between the N6 and other software you wish to use.

