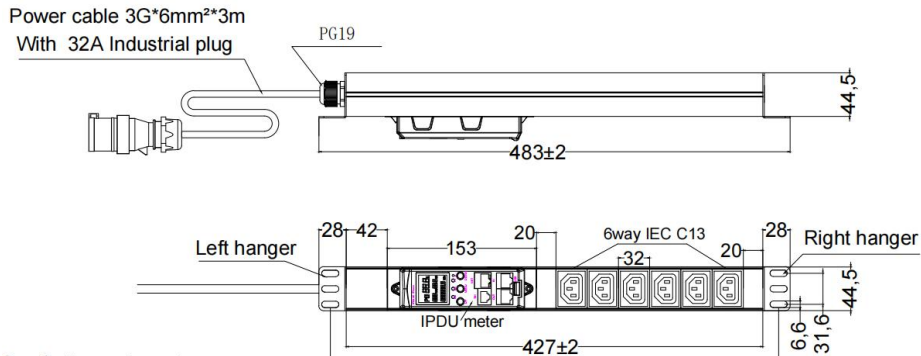


ExTell, NXGrid™ 6 way Smart Metered PDU, 6 x C13, 32A Single Phase

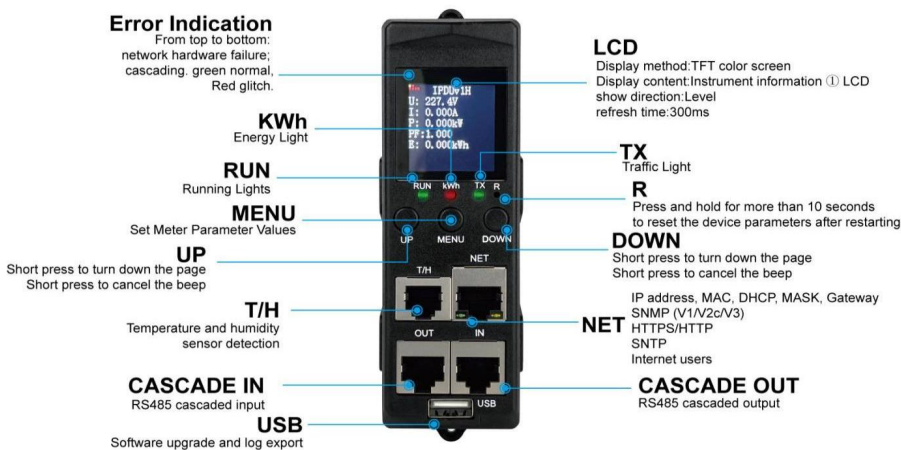
Certificates: CE



Key Functions

- Measurement Function - Total Load Current, Total Voltage, Total Power, Frequency, Power Factor etc
- Communication Interface - One Ethernet, 2 RS485 and 1 USB
- Custom Alarm - When parameters exceeds set threshold values - like temperature, load current of each output, humidity etc
- System default Alarm - in Case of Smoke, Flooding, Open Doors, Current output exceeds rated values etc
- Multiple Alarm Options - Buzzer, LCD Screen Alerts, Email, Alarm Lights
- Cascading Function - Support upto 4 cascades
- User Management - Permission Setting and Administrative rights
- Access Methods - WEB, SNMP (V1/V2c/V3), Telnet, Modbus-RTU.
- Support Multi User operating System

Meter Display



ExTell, NXGrid™ 6 way Smart Metered PDU, 6 x C13, 32A

Single Phase

Certificates: CE

Technical Specifications

	Parameter	Value
Electrical input	Input plug type	32A Industrial Plug
	input voltage	230V, 1Phase
	Input current	32A
	frequency	50/60 Hz
	Output voltage	230V
	Maximum output current (phase)	32A
	Outlet configuration	6 x IEC320 C13
Physical Parameters	Chassis Dimensions (L x W x D) mm	483 x 44.5 x 44.5mm
	Input cord	3G x 6mm ² x 3meter
	Input plug type	32A Industrial Plug
	Sensor Port	Support temperature & humidity sensor, door window sensor, smoke sensor
Working Environment	Operating temperature	-10° to +60°C
	Working humidity	5 - 95%RH
	Altitude	0 – 3000 m
Electrical parameter measurement and control function	PDU measurement for each outlet	Voltage, current, power, frequency, power factor, electrical energy
	Remote control for each outlet	Does not support
	Administrator rights can be defined at different levels	Yes
	Customize alarm thresholds	Current and voltage can be set
	Cascading function	Yes, supports 1 master, 31 slavers max.

Order Information

Model	Description
ENXMP06-C13-32S	ExTell, NXGrid™ 6 way Smart Metered PDU, 6 x C13, 32A Single Phase

