

ExTell CAT6A RJ-45 180 Degree Toolless Shielded KS Jack



Environmental Characteristics

Storage Temperature	-40°C to +68°C
Operation Temperature	-10°C to 60°C

Mechanical Performance

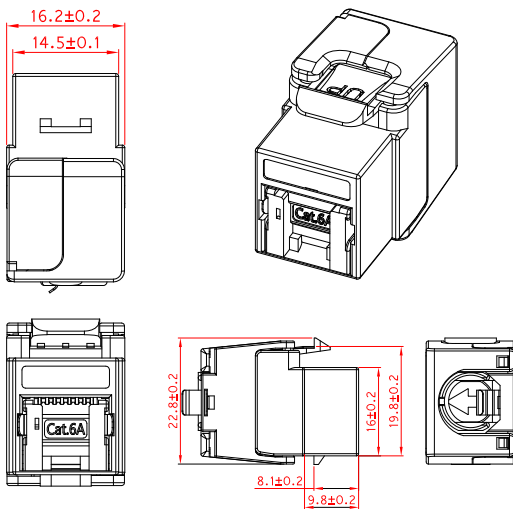
Wiring	T568A and T568B
Insertion Force	≥ 100g with FCC Compliant RJ45 Plug
Retention Strength	≥ 11 lbf
Lifetime	Jack: 750 cycles with FCC Compliant RJ45 Plug
Toolless	When using IDC cap for Wire Management

Electrical Characteristics

Current Rating	1.5A
Insulation Resistance	≥ 500 MΩ
Contact Resistance	≤ 10 mΩ
DC Resistance	≤ 0.1 Ω
DC/AC Volt Endurance	DC 1000V/AC 750V 1 min

Physical Characteristics

Plastic Housing	High Quality Engineering Plastics
Contact Compatibility	AWG 23~26, stranded and solid
PCB	FR4 1.2mm Thickness
RJ45 Contact	Finish: 50um Gold Plated on Plug Contact Area Terminal: 0.35mm Phosphor Bronze Wire
IDC Conductor	0.5mm Phosphor Bronze, tin Plating
Housing	Zn Die Casting with Ni Plating



Ordering Information

Model	Description
EK6AS180-XX	ExTell CAT6A RJ-45 180 Degree Shielded Toolless KS Jack

XX - denotes color - BK - Black, WH - White, RD - Red, GN - Green etc
Refer to ExTell Color code

