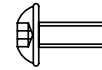


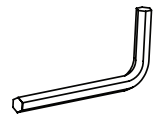
A
4MM
1 PC



B
M6 X 30
3 PCS

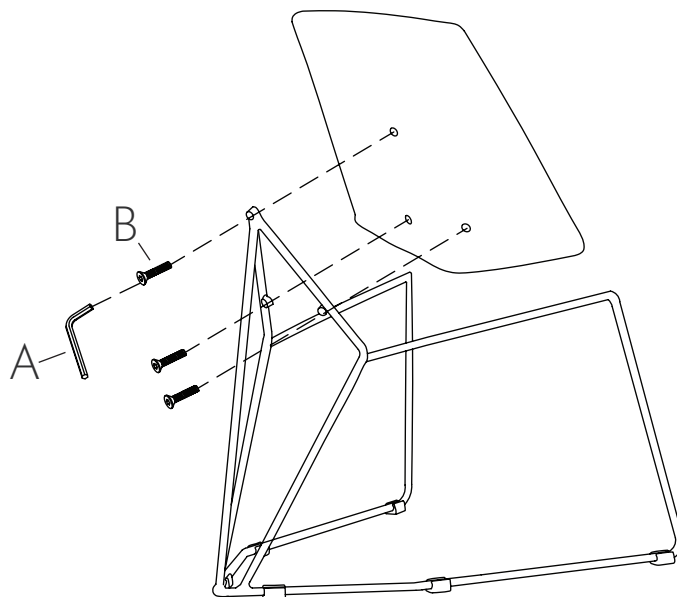


C
M6 X 16
4 PCS



D
5MM
1 PC

STEP 01



STEP 02

