

Xsite®

## Worksurface Mid-Support Bracket

### Tools Required

- Cordless Drill/Driver
- Tape Measure
- 3/16" Allen Bit
- #R-2 Square Screwdriver Bit

### Package Contents

- Mid-Support Bracket
- 1 1/2"-20 Bolts and Receivers
- Attachment Plate
- 8 #8 x .75" Screws

### Installation

**Caution:** Mid-supports are required where two worksurfaces are installed end-to-end or when kneespace exceeds 48".

**Note:** Mid-supports are shipped from the factory pre-set for standard worksurface height (29") installation. Mid-supports can adjust vertically down to 27 3/4" in 1/8" increments. (Standing from 40 1/4" to 41 1/2").

1. If the worksurface is to be installed at lower height, mid-supports will need to be adjusted. Remove two bolts and receivers. Adjust to desired height, reinstall two bolts and receivers and tighten.
2. Tilt attachment plate at 45° angle and engage top edge of bracket into Xsite Traxx® at desired location. Lower into vertical position. (Figure A).
3. Tilt mid-support at 45° angle and hook into desired slot on attachment plate. Lower into vertical position. (Figure B).  
**Note:** If height adjustment is required, remove two bolts from lower leg of mid-support and realign with appropriate height holes. Reinsert bolts into receivers and tighten. (Figure B).
4. Place worksurface(s) on support plate. If two worksurfaces meet end-to-end on support plate, adjust worksurfaces so all sides are flush with no gaps. Attach support plate to underside of worksurface(s) with the eight #8 x .75" screws provided. (Figure B).
5. Adjust glide on mid-support bracket to level worksurface(s). (Figure B).

Figure A

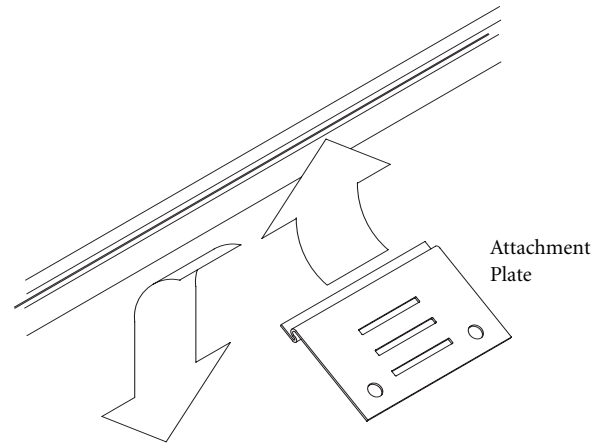
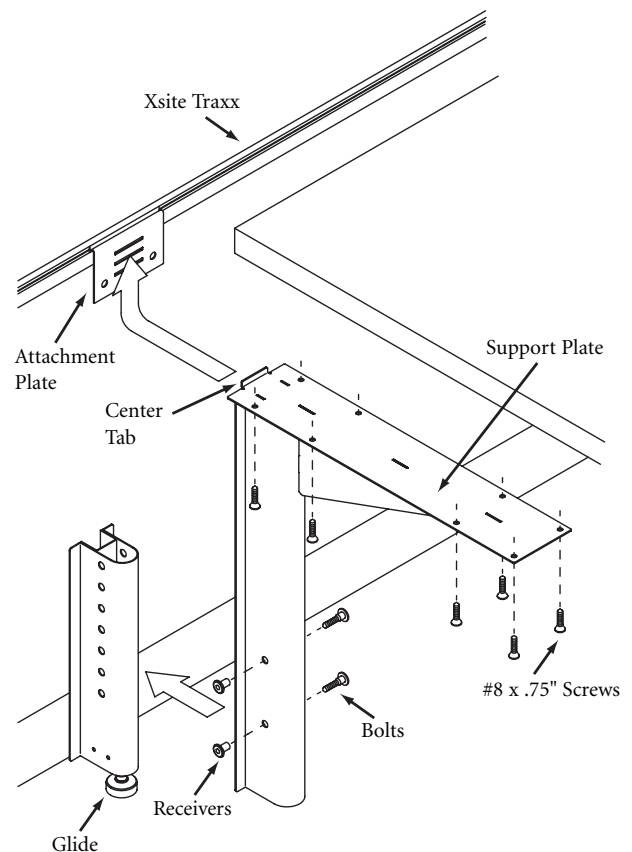


Figure B



Proper product installation, in accordance with these instructions, is the responsibility of the installing agent. If you have any questions concerning these instructions, please call Kimball Office Customer Service.

Kimball®Office