

WORK DESK MODESTY PANEL

Tools Required

- Cordless driver with magnetic post
- #2 Phillips Head Bit Drive

Hardware Required (Included)

L Bracket	2
#12 x 5/8" Wood Screws	8

Installation

1. Unpack modesty panel, L bracket, and hardware. See Figure A for package contents.
2. Place L bracket over pre-drilled holes and assemble with #12 X 5/8" wood screws using #2 Phillips head drive. See Figure B.
3. Place the worksurface up side down on a non-marring surface.
4. Using a tape measure, position the modesty panel from the approach side of the worksurface 3/8" in and predrill using 1/8" bit.
5. Assemble with #12 X 5/8" wood screws using #2 Phillips bit drive. as shown in Figure C. Flip the worksurface back over onto the bases.

Figure A

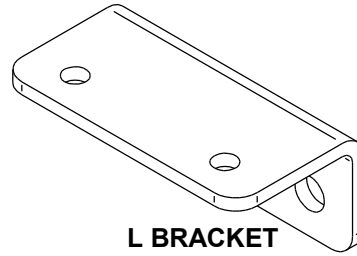


Figure B

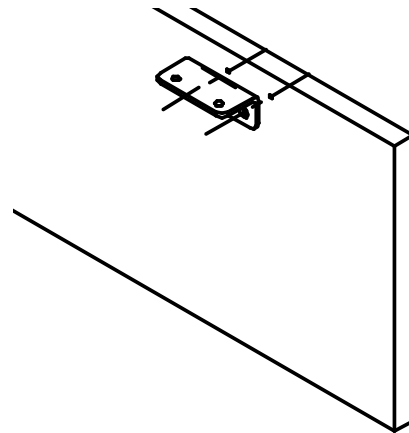
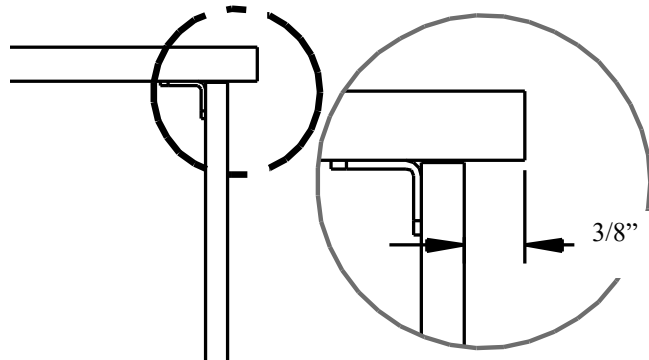


Figure C



UTILITY CART MODESTY PANEL

Tools Required

- Cordless driver with magnetic post
- M5 Hex Drive
- #2 Phillips Head Bit Drive

Hardware Required (Included)

L Bracket	2
#12 x 5/8" Wood Screws	8
M5 Button Head Cap Screw	4
Lower Mounting Bracket	1

Installation

1. Unpack modesty panel, Brackets, and hardware.
2. Place L bracket over pre-drilled holes and assemble with #12 X 5/8" wood screws using #2 Phillips head drive. See Figure A.
3. Assemble the Lower Mounting Bracket to the Lower Rail on the Cart using included M5 Button Head Cap Screws as seen in Figure B.
4. Slide the route on the bottom of the Modesty Panel slide over the vertical tab of the lower mounting bracket and pivot the modesty panel in place. Secure the Modesty panel to the bottom of the bottom panel using #12 Wood screws. See Figure C.

Figure A

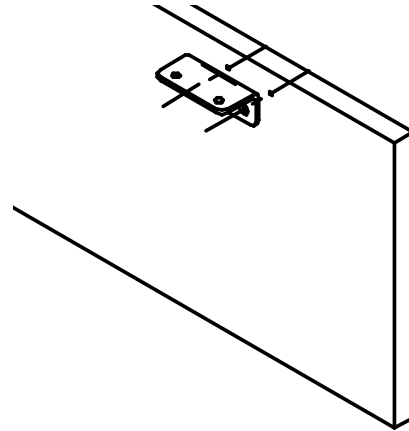


Figure B

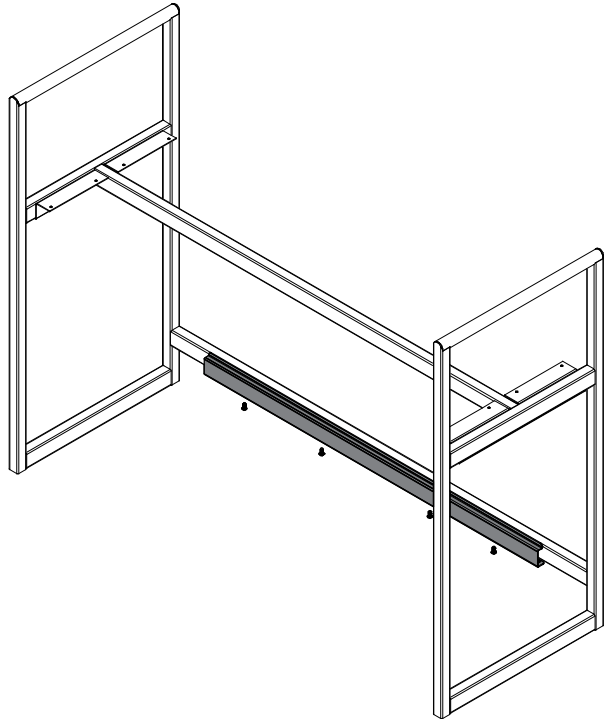


Figure C

