

# Electrical Bracket and Mounting Block

## Tools Required

- Cordless driver with magnetic post and following tips
  - #2 Phillips Driver

## Hardware Required (Included)

- 8—#8 X 3/8" Panhead Sheet Metal Screws
- 2 Mounting Brackets

## Installation

### Fabric Frame Mounting

1. Locate the Mounting Brackets on the bottom of Framed Screen 3" off center. Pre Drilled holes are present on the Fabric Screen Frame.
2. Secure bracket to Fabric Screen frame using supplied screws. 2 screws per bracket are used on the Fabric Screen Frame mounting. See Figure A.
3. Attach electrical blocks to brackets. 4 Trac Receptacles snaps on brackets while the 8 Wire Block slides on to the brackets. See Figure B.

Figure A – Fabric Frame Mounting

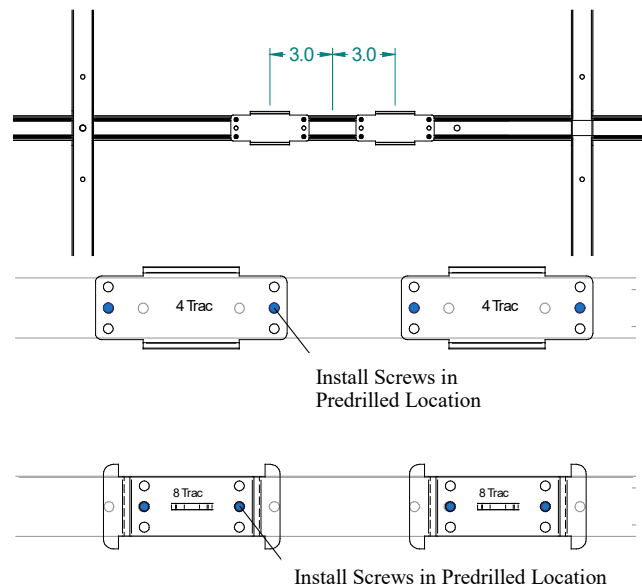
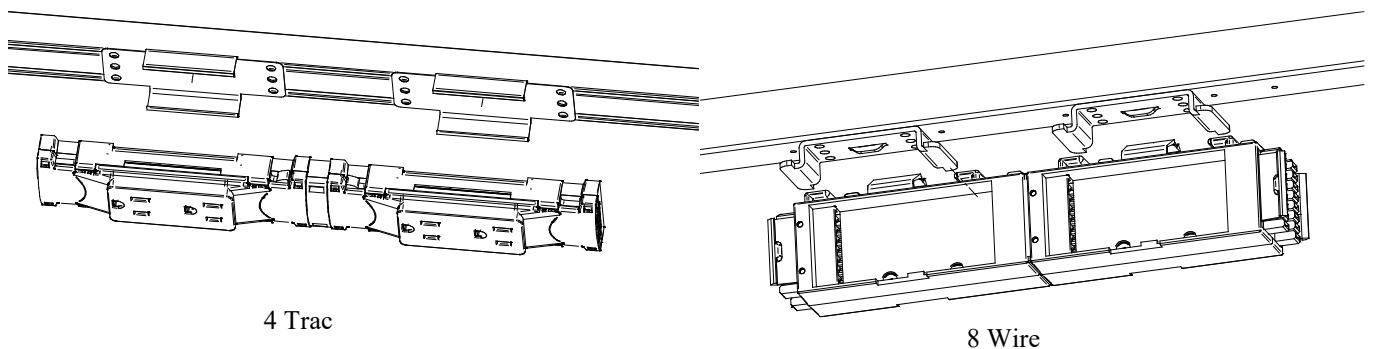


Figure B



## Jumper

### Tools Required

- N/A

### Hardware Required

None

### Installation

1. Orient the jumper so the pen housing matches the power block, as shown in Figure A.
2. Slide the jumper on to the power block. See Figure B.  
 Tip: on 8 Wire jumper it helps to start jumper on an angle, toward the lock tab, then straighten as it engages onto the block.

(Note: Make sure jumper is securely snapped to the power block)

Figure A

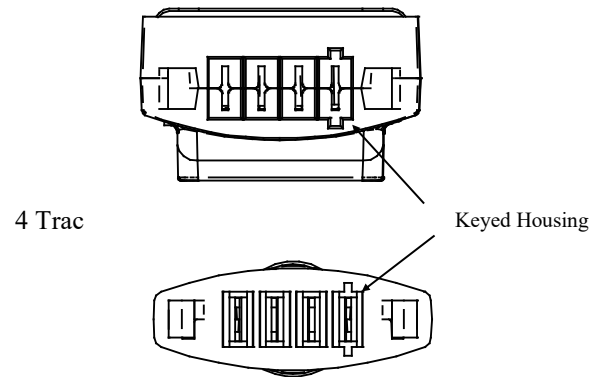
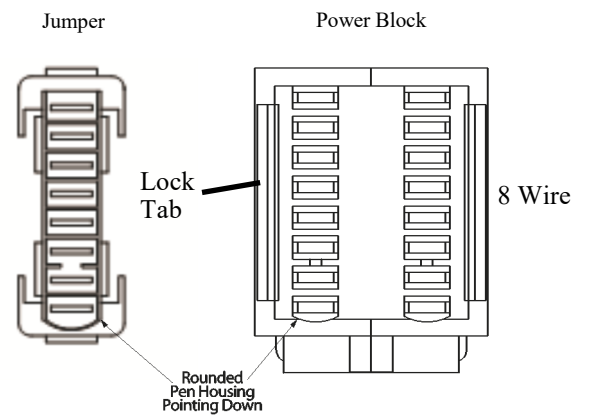
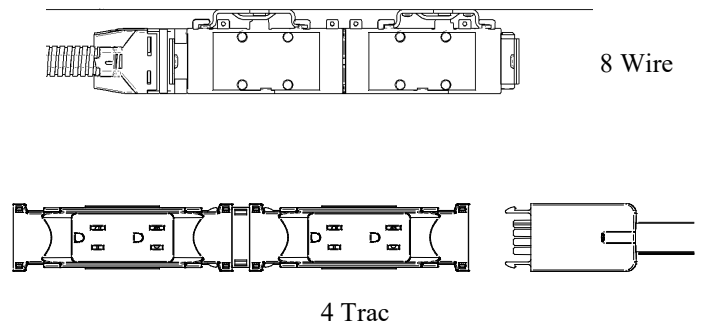


Figure B



# Power Entry

## Tools Required

- N/A

## Hardware Required

1- Power Entry

## Installation

**Notes:** Reference labels on components for wiring diagrams Power Entry Box is unassembled from the factory

1. Make sure the Power Entry and the connecting piece are oriented as shown in Figure A.
2. Slide the power entry on to the power block. See Figure B.

**Tip:** on 8 Wire jumper it helps to start infeed on an angle, toward the lock tab. then straighten as it engages onto the block.

**Warning:** Connection to building power must be completed by a licensed electrician. Installation must Be in accordance with National Electrical Code and local codes. This system may be connected to more than one source of supply. No single circuit may be powered by more than one source. Do not interconnect system electrical power from different feed units. This can cause shock and fire hazard. Be certain all sources are disconnected prior to any servicing.

(Note: You may have to unclip electrical block to make modular connection)

Figure A

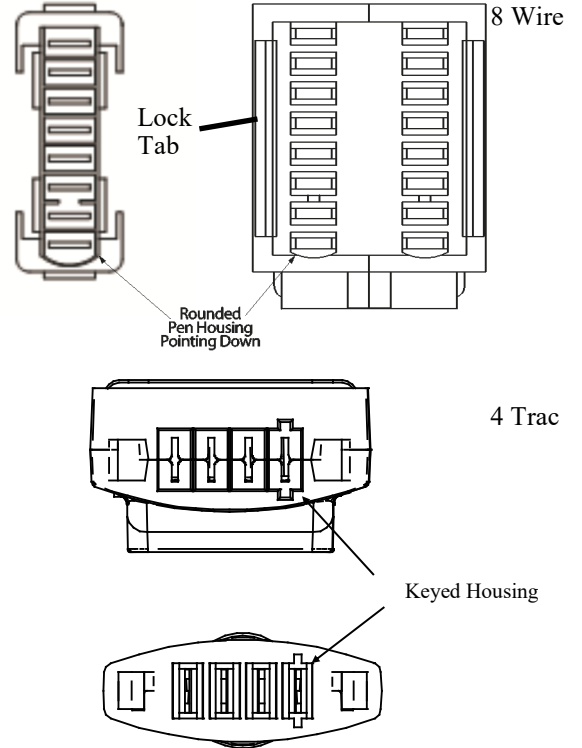


Figure B

