

BENCH BELOW-SURFACE CABINET

Tools Required

- Cordless driver with magnetic post and following tips
 - # 2 Phillips Drive
 - M5 Hex Drive

Hardware Required (Included)

- 19— Panhead Phillips #8X 3/4" Wood Screws
- 4—Button Head Cap Screw M6-1 X 12mm
- 4—Clear 1/8" bumper

Installation

1. Unpack Cabinet and all hardware.
2. Locate the mounting bracket as shown in Figure A. Attach bracket using Pan Head Phillips screws provided.
3. Mount the cabinet to the Bench Leg by sliding the bracket around the Bench Frame as shown in Figure B and using the supplied Button Head Cap Screws to affix the bracket to the frame. Cabinet top should align with edges of worksurfaces.
4. Place bumper between the bottom of the cabinet and each leg .

Figure A

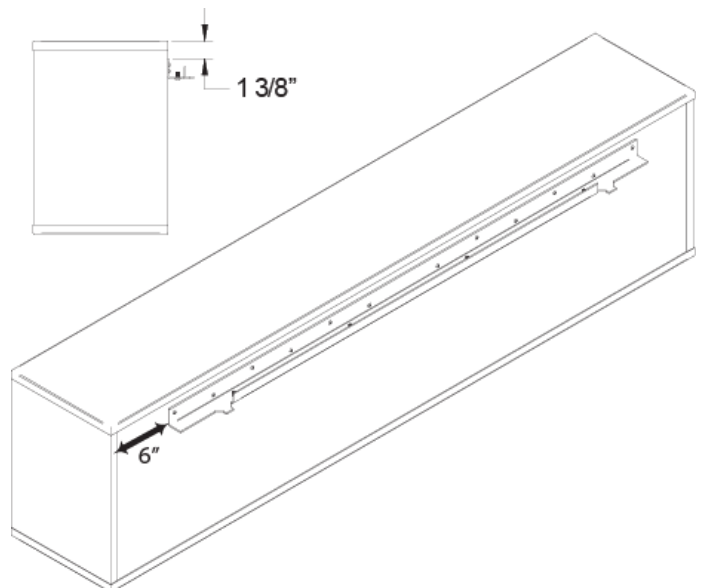


Figure B

