

### Tile Installation

#### Tools

- Putty Knife
- Tape Measure
- Level
- Utility Knife
- Hammer

#### Installation

1. Determine tile location. Install spacer into Traxx at each tile-to-tile seem. If Tiles are 42" or wider, an additional spacer should be installed in the center of the tile as well. See Figure A.
2. Determine the top side of the tile by location the UL Label on the back side of the tile and orientate the label right side up. See Figure B
3. Tilt the top of the tile forward and insert the tile behind the lip of the upper Traxx. See Figure C.
4. Push the bottom of the tile towards the wall until clear of the upper lip of the lower Traxx and downward until the tile is seated. See Figure C.
5. Using a putty knife and possibly hammer and level, adjust the trim channels to fill any gaps between tiles and ensure the channels are plumb.

Figure A

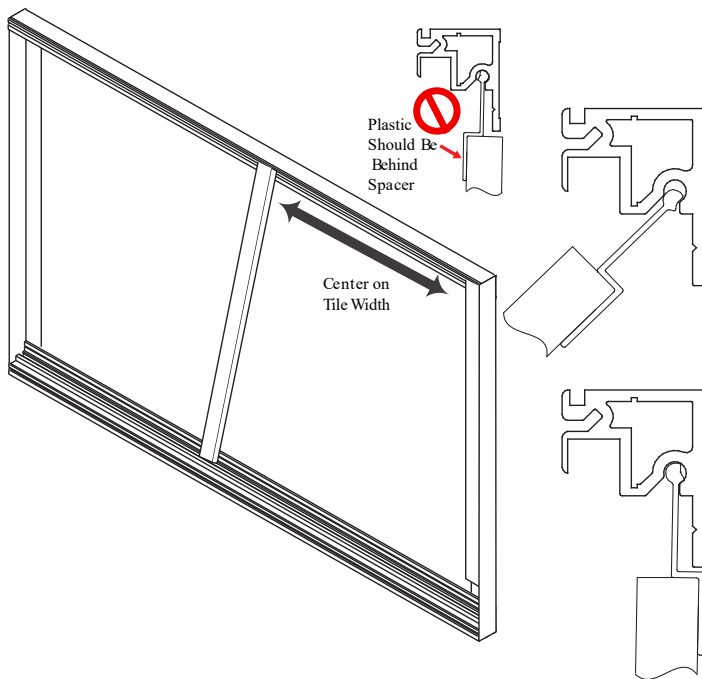


Figure B

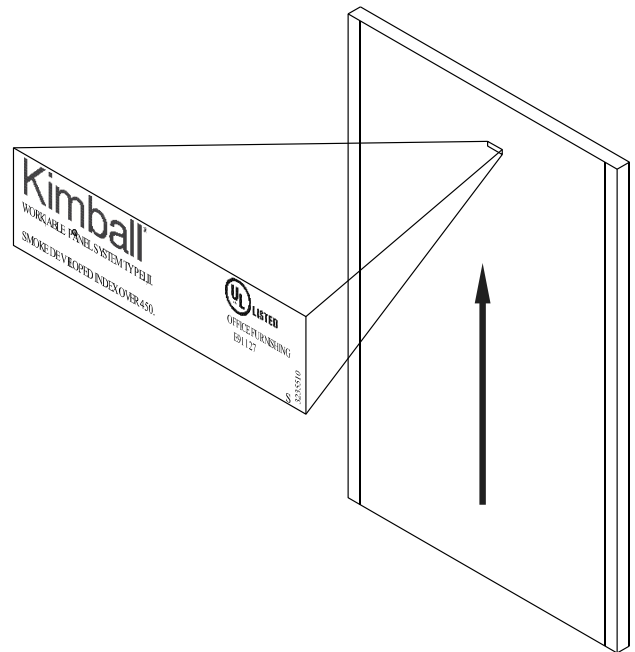
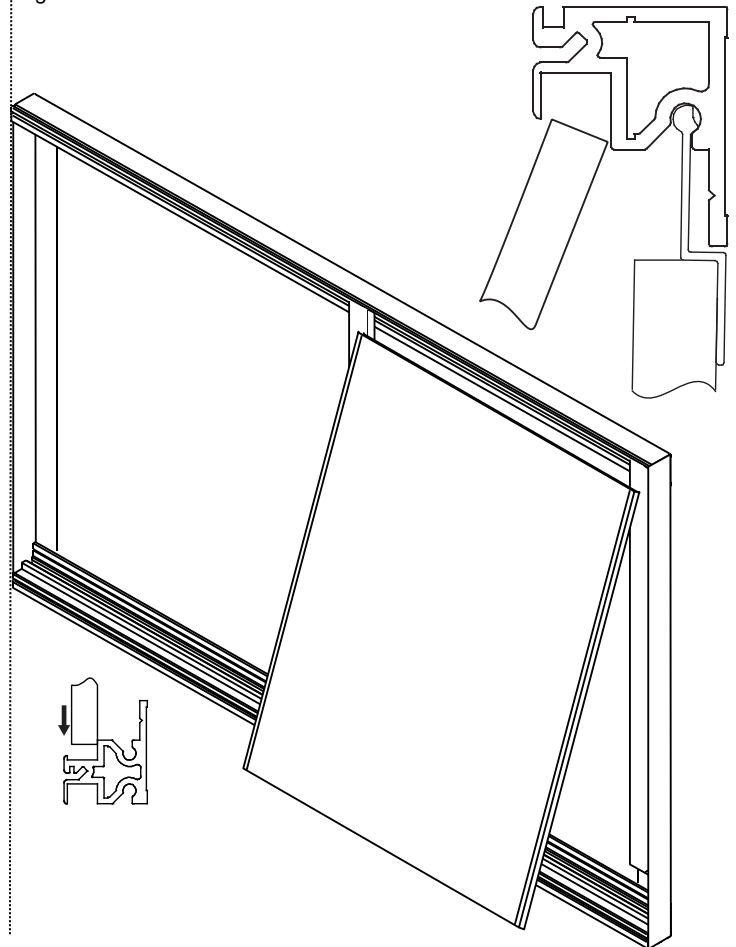


Figure C



## Tile Installation

### Installation (Cont) Cutting Acoustical Tile

1. Measure width of space where tile will be placed with tape measure. See Figure A. Tiles should be cut 1/4" less than measurement.
2. Remove trim channel from end being cut.
3. Place tile on clean, solid surface, backside facing up.
4. Mark measurement near top and bottom of tile. See Figure B. Using a straight edge and utility knife cut the tile to desired width.
5. Replace trim channel and tile is ready to be installed.
6. Follow Steps 1-4 on page 1.

Figure B

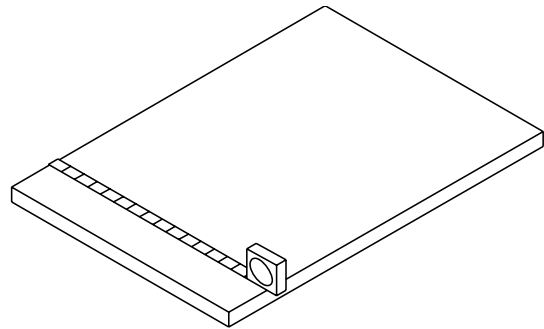


Figure A

