

Angled / ADA Sink Cabinet With Filler

Tools Required		Hardware Included
<ul style="list-style-type: none"> • Pencil • Tape Measure • Level (4 feet or greater) or Laser Level 	<ul style="list-style-type: none"> • Variable Speed Drill With Torque Options • Drill Bits • Screw Drive Bits 	<ul style="list-style-type: none"> • #8 X 5/8" Screws • 1" L-Brackets • 3" L-Brackets



Team Lift for Safety
2 or more persons recommended when lifting cabinet.

ATTENTION: Cabinets must be mounted to a structural wall using appropriate fasteners. All sink, faucet & plumbing installation must be completed by a certified plumber.

Note: Kimball International defines a structural wall as a load-bearing wall constructed of materials such as: poured concrete, concrete, concrete block, or stud. Wood studs must be a nominal 2" x 4" size minimum. Metal studs must be "C" channel, 20-gauge thick minimum. Metal or wood studs must be on centers no greater than 24" & have maximum height of 14' restrained at floor & ceiling. Interior walls shall be designed to resist a force, not less than a 5 lbs. per square foot, applied perpendicularly to wall. The deflection of such wall under a load of 5 lbs. per square foot shall not exceed 1/240 of the span for walls with brittle finishes, & 1/120 of the span for wall with flexible finished (per Uniform Building Code Section 2309b). If you have any questions concerning your loadbearing structure, consult your architect or structural engineer.

NOTICE: It is the responsibility of the installing agent to select & install the proper fasteners in the structural wall. Kimball International does not furnish fasteners or assume liability for their use.

Wall Substructure	Recommended Fastener	Size	Model No.
Steel Stud (for 1/2" to 3/4" drywall)	Snaptoggle® BA™ 3/16" Toggle bolts	10-24 X 2-1/2" Grade 5 equivalent or greater	24013
Wood Stud (for 1/4" to 1/2" drywall)	Panhead sheet metal screw (Type A)	#10 X 2" PHP SMSCR Meets or exceeds ANSI/ASME B18.6.4 & SAE J933	
Solid Masonry	Crown Bolt lag shields Buildex Tapcon® masonry screw anchors	1/4" X 1-1/2" (shield) 1/4" X 2-3/4" (screw)	
Masonry Block	Snaptoggle® BA™ 3/16" Toggle bolts	10-24 X 2-1/2" Grade 5 equivalent or greater	24013
	Crown Bolt lag shields Buildex Tapcon® masonry screw anchors	1/4" X 1-1/2" 1/4" X 2-3/4"	

Installation

1. Temporarily fit the wall Z-bracket under the cabinet Z-bracket. Measure from the top of the cabinet to the bottom edge of each wall Z-bracket (Figure A).

2. On the structural wall mark the desired location for the top of the cabinet. From the top mark measure down to the wall Z-bracket locations identified in Step 1 & draw a level line (Figure B).

Locate the wall substructure along each Z-bracket line (studs, blocks, solid masonry). Place a mark where each fastener will tie directly to the substructure. Place additional marks in between to ensure fastener spacing is no less than 16 inches on center & the last anchor is no more than 6" from the end of the Z-bracket.

NOTICE: It is the responsibility of the installing agent to select & install proper fasteners in the structural wall.

See Page 1 for a listing of recommended fasteners.

3. Hold the cabinet Z-bracket against the wall so the bottom edge is aligned with the lines drawn in step 2. Transfer the fastener location marks on the wall to the wall Z-bracket. At each mark & 3/8" above the bottom edge of the Z-bracket predrill an appropriately sized hole for the fastener being used (Figure C).

Hold the wall Z-bracket back up the line on the wall & use the center of each hole as a guide to mark where each wall anchor will be installed. Predrill & prepare the wall according to the fastener manufacturers specifications.

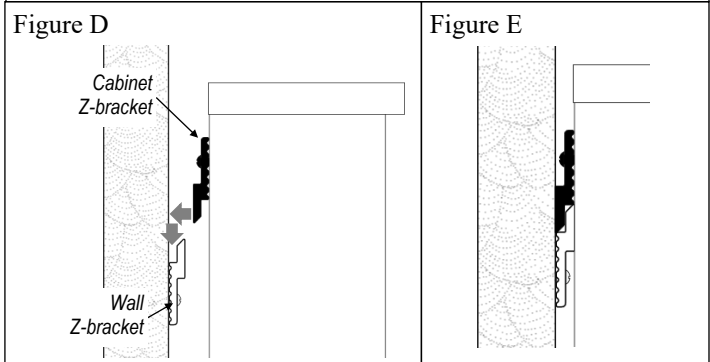
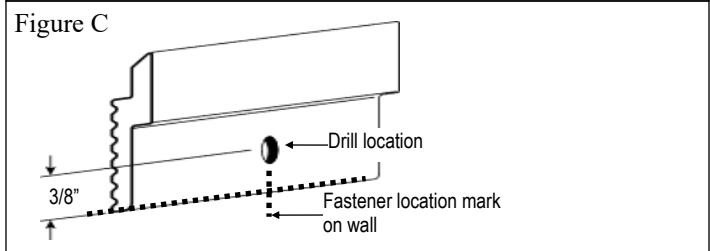
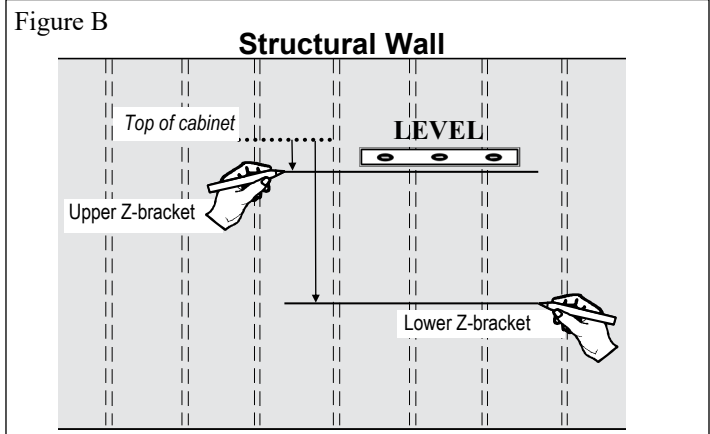
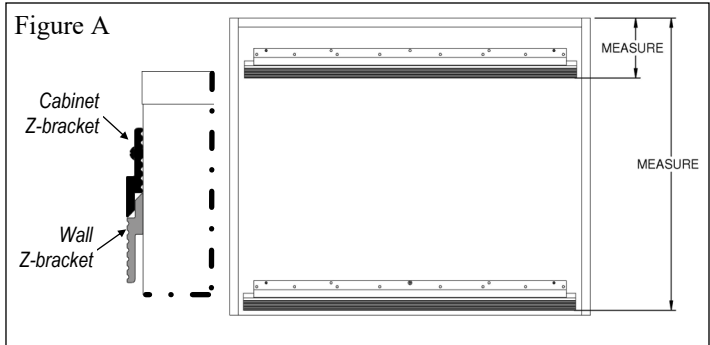
Important! Multiple fasteners should tie directly into the walls substructure. Toggle anchors must be used to secure the remaining z-bracket span to the structural wall.

4. Using appropriate type & quantity of fasteners secure Z-brackets to the structural wall, ensuring it is flat & tight against the wall surface.

5. With help of two or more persons, lift the cabinet & place it flush against wall so the cabinet Z-brackets are above the wall Z-brackets (Figure D).

Slowly & carefully lower the cabinet until the Z-brackets engage.

Ensure the cabinet Z-bracket is firmly seated behind the wall Z-bracket (Figure E).



6. Once cabinet is properly mounted, the front panel can be opened by gripping & pulling the top of the panel, disconnecting only the top of the panel from cabinet. Pivot the front panel down & gently allow it to rest on the floor (Figure F).

For greater access, the front panel can be removed from the cabinet. Grip the top & bottom of the panel and pull the top away from the cabinet first then pull the bottom to free the panel entirely from the cabinet (Figure G). Gently place panel aside.

Note: If filler panels are not required, skip to Step 8.

7. Measure space between cabinet and wall at 4 key points (Figure H). Transfer measurements to filler panels and cut accordingly (Figure I).

Align top-front and bottom fillers with the end panel and attach to cabinet using 3" L-brackets and screws provided (Figure J).

Figure F

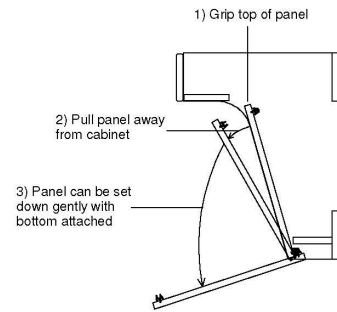


Figure G

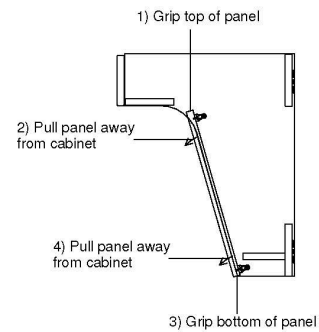


Figure K

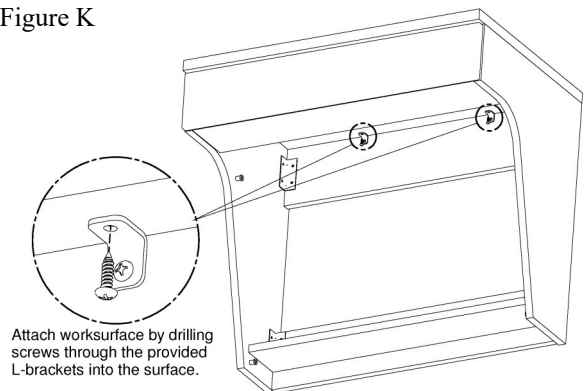
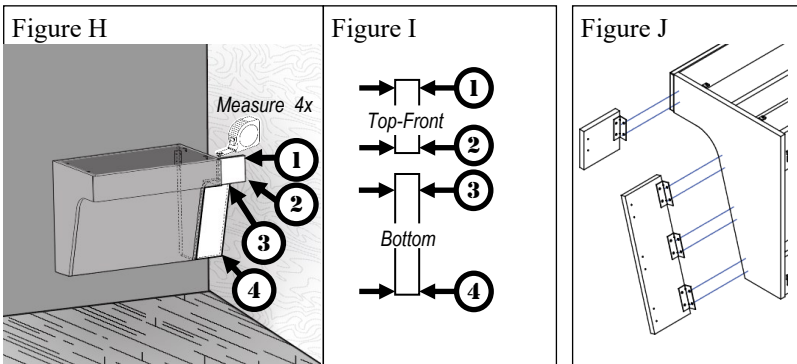
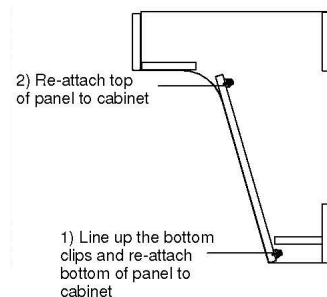


Figure L



8. Attach the work surface to the cabinet with provided #8 X 5/8" screws and 1" L-brackets (Figure K).

9. Install the sink and plumbing.

ATTENTION: All sink, faucet & plumbing installation must be completed by a qualified plumber.

10. Reattach the front panel by aligning & snapping the bottom panel clips [1] then snap on the top clips [2] (figure L).