

Power Kit

Hardware

- 4 X Panhead Sheet Metal #8 X 3/4"
- 2 Bracket mounting kits with screws.

Tools

- Drill/Driver
- #2 Phillips tip
- 1/8" drill bit
- Tape Measure
- Pencil
- Hex drive set

Installation

1. Mark the center of the receptacle location by measuring 9" from either end of powered tile as seen in Figure A.
2. Drill 1/8" pilot hole at marked locations.
3. Attach electrical mounting brackets by first sliding them into the Traxx as shown in Figure B then pivoting them into place. Slide the brackets until their center holes align with the predrilled holes then secure with supplied sheet metal screws, predrilling with 1/8".
4. Using supplied screws, secure the metal clip on the mounting brackets at the locations shown in Figure C.
5. Connect the receptacles with supplied Jumper or "H" Block then snap in place on the metal clips. See Figure D

Figure A

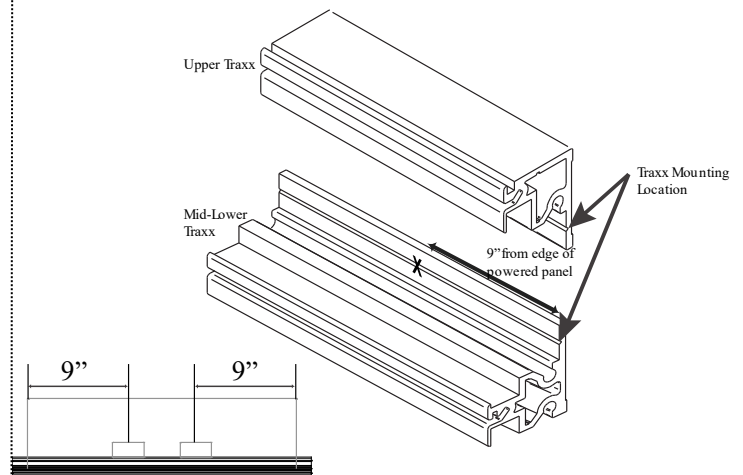


Figure B

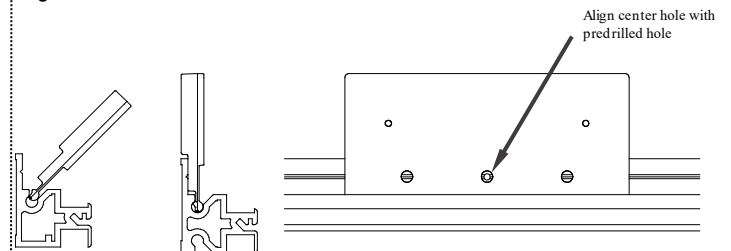


Figure C

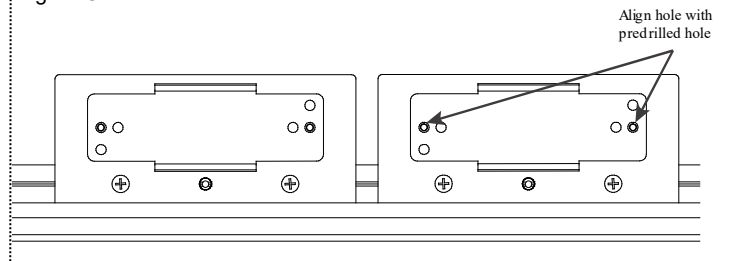


Figure D

