

Power infeed receptacle mnt

Tools Required

- #2 Phillips Screw Driver

Installation

1. Determine the location where the power entry is to be installed and remove the trim. Install the swivel housing through the cover in one of two ways.
 - A. Feed the conduit through the opening before the electrician wires the infeed to the building Figure 1a.
 - B. If the conduit is already installed but unpowered snap the conduit assembly off the swivel pins. Slide the swivel pins off the housing. Feed the housing through the opening. Reassemble the swivel pins and conduit. Figure 1b.
2. Secure the assembly to the desired location. Swivel the conduit assembly to the left or right as needed, place the cover on the assembly, and install with the two screws provided. See Figure 2.
3. Connect the infeed to the building power.

Note: The conduit can be shortened if required by snapping the conduit out to the cut line.

Warning: Connection to building power must be completed by a licensed electrician. Installation must be in accordance with National Electrical Code and local codes. This system may be connected to more than one source of supply. No single circuit may be powered by more than one source. Do not interconnect system electrical power from different feed units. This can cause shock and fire hazard. Be certain all sources are disconnected prior to any servicing.

Figure 1a

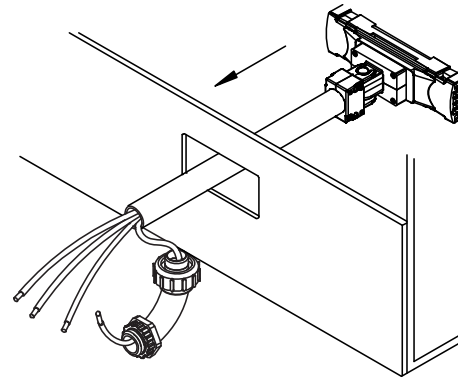


Figure 1b

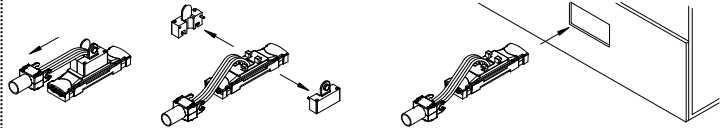


Figure 2

