

## Base and Surface Assembly

- Tools Required**
- Screw Gun
  - #2 Phillips Screw Bit
  - Included Hex Keys

### Hardware Required

Included Screws

### Installation

1. Unpack base.
2. Install sleeves around lower part of column as shown in Figure A.
3. Insert column into base as shown in Figure B.
4. Attach column to base using supplied screws and Included Hex Key. See Figure C.
5. Remove safety cap on top of column as shown in Figure D.
6. Install surface to mounting pad using supplied screws in the correct orientation. Install Top/Base assembly to top of column as seen in figure D.
7. Take assembly through full range of motion to ensure functionality and ensure top is mounted in correct orientation.
8. Cycle the surface up and down a few times to ensure smooth height adjustment.

Figure A

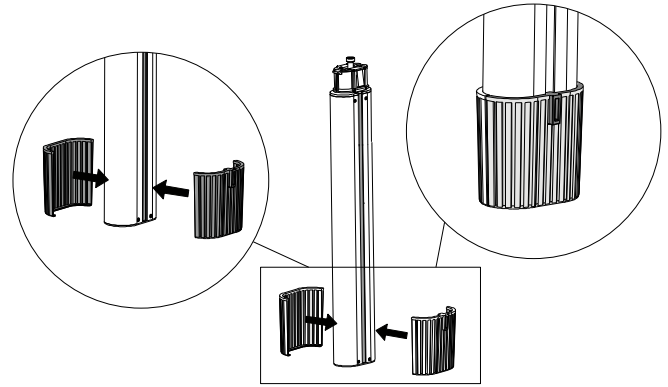


Figure B

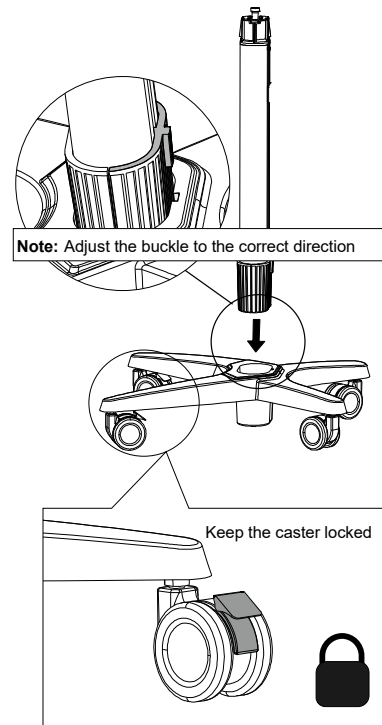
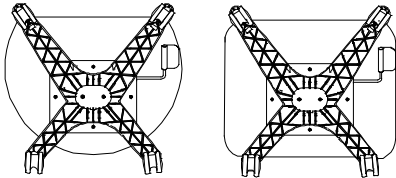


Figure D



Remove gas spring safety cap before installation

Gas spring safety cap

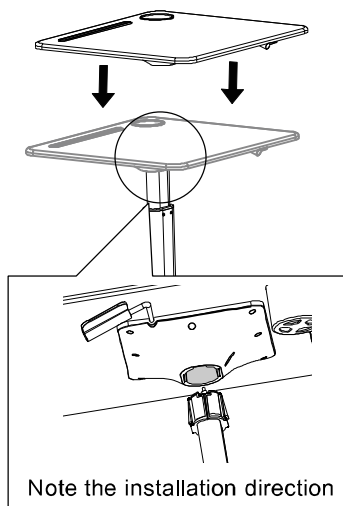


Figure C

