

Base and Surface Assembly

- Tools Required**
- Screw Gun
 - #2 Phillips Screw Bit
 - Included Hex Keys

Hardware Required

Included Screws

Installation

1. Unpack base.
2. Install sleeves around lower part of column as shown in Figure A.
3. Insert column into base as shown in Figure B.
4. Attach column to base using supplied screws and Included Hex Key. See Figure C.
5. Remove safety cap on top of column as shown in Figure D.
6. Install surface to mounting pad using supplied screws in the correct orientation. Install Top/Base assembly to top of column as seen in figure D.
7. Take assembly through full range of motion to ensure functionality and ensure top is mounted in correct orientation.

Figure A

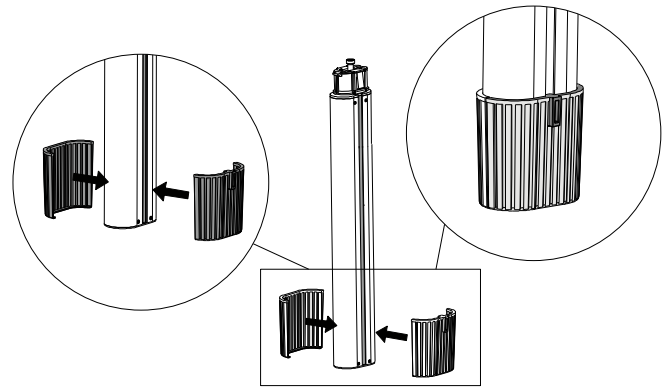


Figure B

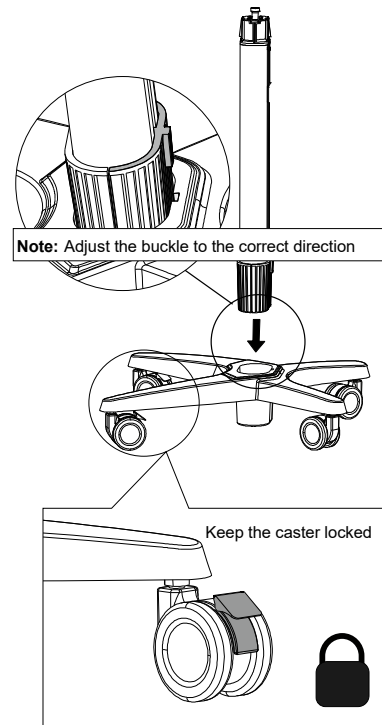


Figure C

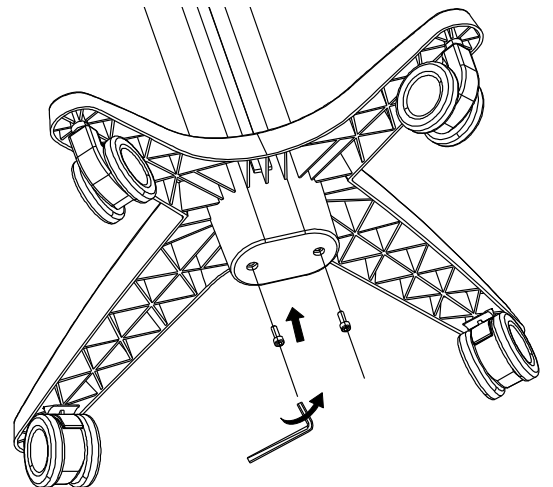
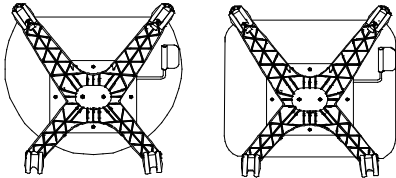
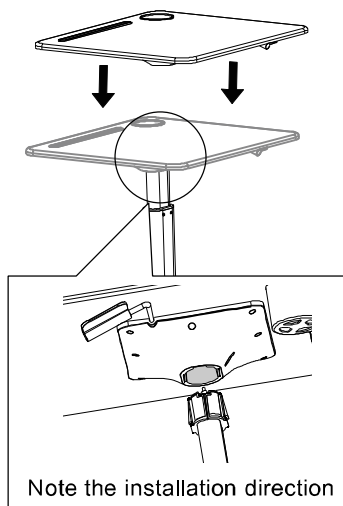


Figure D



Remove gas spring safety cap before installation

Gas spring safety cap



Note the installation direction