

Base Cabinets, Worksurfaces & Filler Panels

Tools Required

- Pencil
- Tape Measure
- Level (4 feet or greater) or Laser Level
- Small Crow Bar
- Hand Clamps
- Variable Speed Drill With Torque Options
- Drill Bit Set
- Screw Bit Set
- Portable Table Saw or Circular saw

Hardware Included

- 8 x 5/8" screws
- 8 x 1 1/4" screws
- L-Brackets

Installation

1. Remove all doors and drawers from cabinet (**Figure A**).
2. Measure up from the floor the preferred height of the cabinet and draw a level line on the wall then locate the substructure and mark the location on the cross member. (**Figure B**). Standard heights are 32 1/2" and 35".
Note: Always measure from highest floor elevation.
3. Place the cabinet in desired location and level it with the line from step 2. Use a small crowbar to help in adjusting the levelers. Make sure the cabinet is also level from front to back. Pre-drill 2 anchor holes through back panel into the Substructure of wall (studs, blocks, solid masonry) using marks from step 2. (**Figure C**). If no stud is available where cabinet is placed, toggle anchors must be used.
4. If screw is used to attach the cabinet to stud, fasten it to the wall. If toggle anchor is used, move the cabinet away from the wall and use the pre-drilled holes marked on the wall to attach the toggle anchor. Once toggle anchor is installed, put cabinet back in place and attach to the wall. Measure the distance between the cabinet end panel and the wall at the top and bottom of the end panel. Also measure the distance between the plinth base and the wall. (**Figure D**).
5. Take the filler panel and measure the distances from step 4. Draw a straight line between the markings and cut the panel along the line. (**Figure E**).
Note: Tape along cut line to prevent cracking.
6. After the filler panel is cut to size, remove the cabinet from the wall. Attach filler panel to the cabinet with L-brackets using 8 x 5/8" screws. Attach the bottom section of the filler panel to the plinth base with L-brackets using 8 x 5/8" screws. (**Figure F**).
Note: The optional use of hand clamps can be used to secure filler panels while attaching them to the cabinet.

Figure A

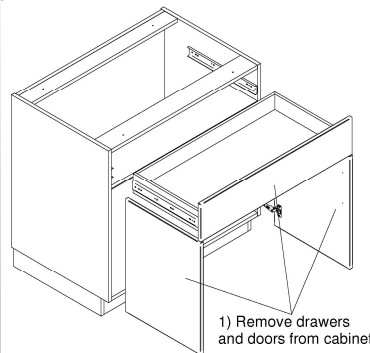


Figure B

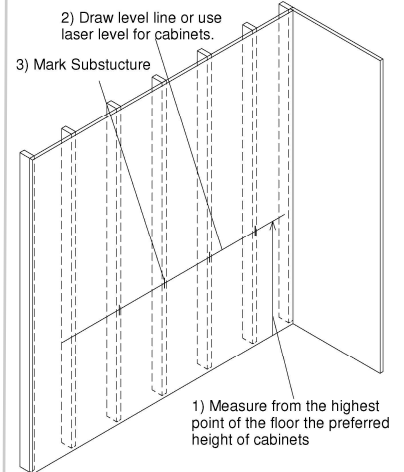


Figure C

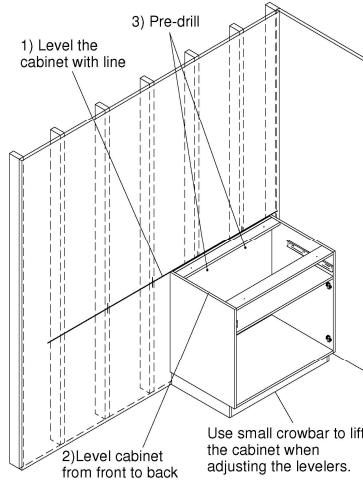


Figure D

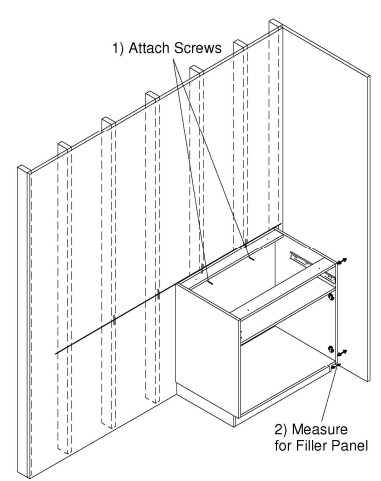


Figure E

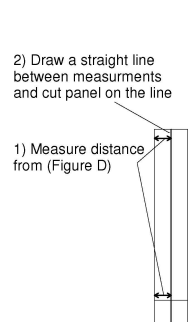
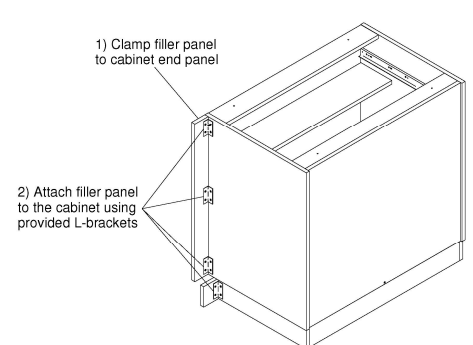


Figure F



Installation

7. Place cabinet in position from step 4 and re-attach it to the wall. **(Figure G)**.
8. Place the next cabinet in place and level it with the line from step 2. Use a small crowbar to lift the bottom of the cabinet to help in adjusting the levelers. Make sure the cabinet is level and is flush with previous cabinet. Pre-drill 2 anchor holes in back panel. If screw is used to attach the cabinet to stud, fasten it to the wall. If toggle anchor is used, move the cabinet away from the wall and use the pre-drilled hole marked on the wall to attach the toggle anchor. Once toggle anchor is installed put cabinet back in place and attach cabinet to the wall. **(Figure H)**.
9. Measure for the worksurface by measuring from the wall out to the cabinet end panel. **(Figure I)**. If cabinets are between walls, measure from wall to wall.
10. Measure the worksurface with dimensions from step 9. Add 1/8" to the measurement to account for top profile. If worksurface is between walls use exact wall to wall measurement from step 9. Cut the worksurface to correct size. **(Figure J)**.
11. Attach worksurface using 8 x 1 1/4" screws through cabinet stretchers into the worksurface. **(Figure K)**.
12. If side splash is used, firmly attach to the wall using customer provided silicon caulk. **(Figure L)**.

Optional: Cabinets can be fastened together by screwing 8 x 1 1/4" screws through back hole of the door hinges. **(Figure M)**. If using two drawer cabinets, attach screws just above the top and bottom drawer slide at 2" inward. If using two open cabinets attach screws 2" from top and bottom at 2" inward.
Note: Fastening cabinets together will deface the end panels that are attached.
13. Re-install doors and drawers to complete install.

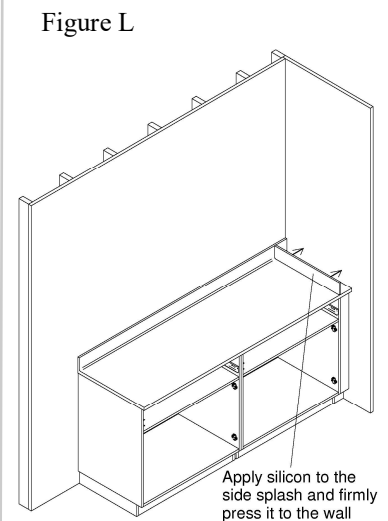
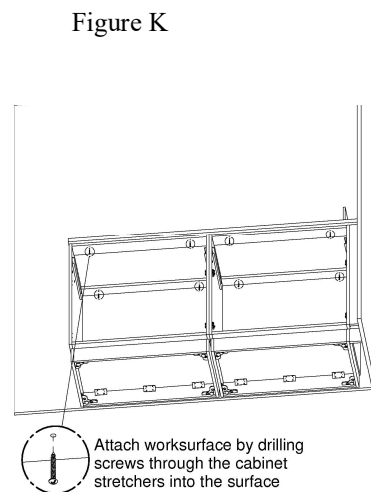
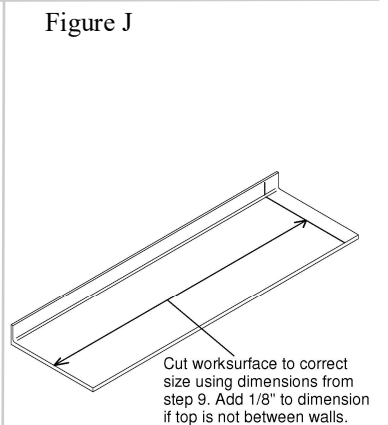
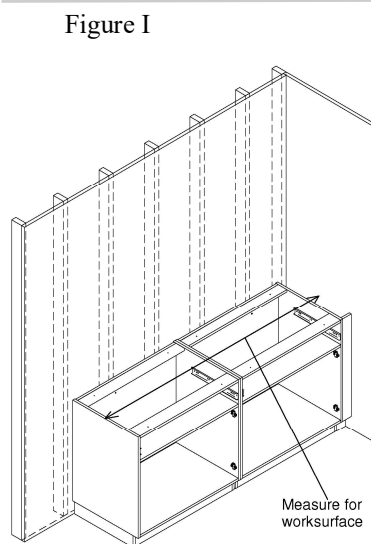
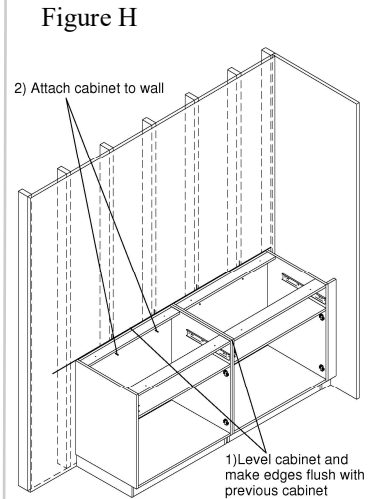
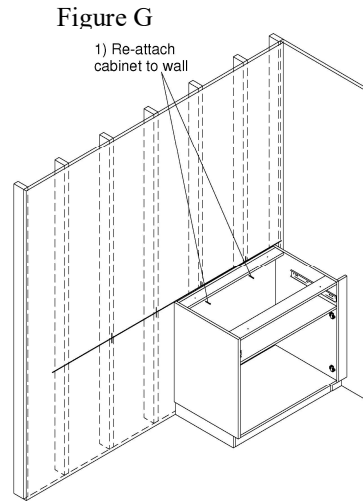


Figure M

