

Assembly Instruction

For Desk to Desk Connections begin at step 1

For Desk to Storage with Spacer configurations begin at step 4

For Desk to Storage without Spacer configurations begin at step 7

For Desk to Desk Connection

1 Verify that the powered beam and ganging kit are completely installed and the two units to be ganged together. For Fixed Height ganging skip to step 3. For Adjustable Height continue to step 2.

2 Run the jumper through the wire pass-through on both crosslink rails. Connect one end of the ganging jumper to the first powered beam phase block. Connect the opposite end of the ganging jumper to the first phase block on the second unit. (Figure A)

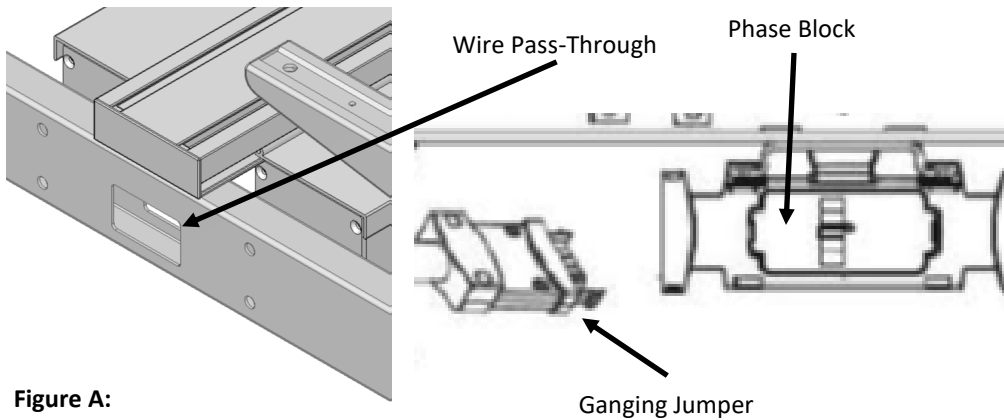


Figure A:

3 Connect one end of the ganging jumper to the first powered beam open phase block connection. Connect the opposite end of the ganging jumper to the first open phase block connection on the second unit.

Note: Verify all connections have been fully seated and “clicked” into proper position before powering unit.

Alloy
Ganging Jumper

Package Contents

	Qty
Ganging Jumper	1

NATIONAL

Furniture with Personality™

Telephone 800.482.1717
Fax 812.482.8800
www.NationalOfficeFurniture.com

Part # 2891776
Rev. A

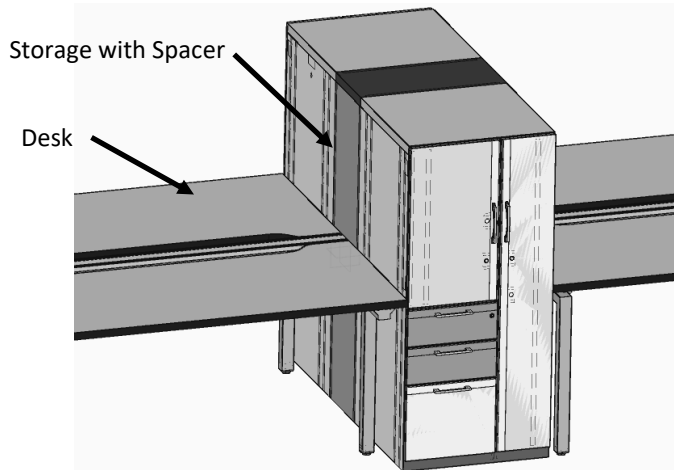
Printed in U.S.A.
© 2014 Kimball International, Inc.

Proper product installation, in accordance with these instructions, is the responsibility of the installing agent. If you have any questions concerning these instructions, please call National Customer Service 800.482.1717.

Assembly Instruction

Alloy Ganging Jumper

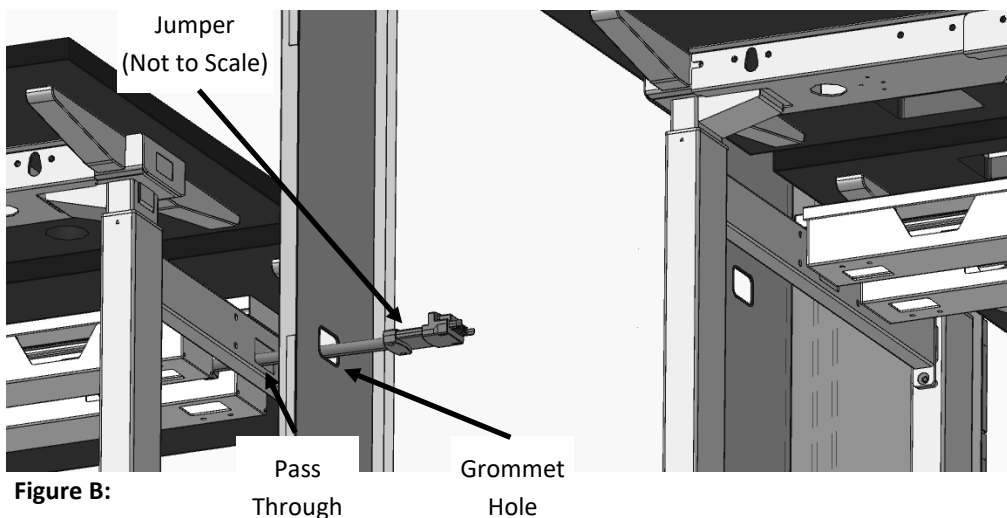
For Desk to Storage with Spacer Configurations



- 4** Verify that the powered beam and ganging kit are completely installed and the units to be ganged together. Jumpers should be routed prior to both storage cabinets being placed to allow access to grommet holes on both sides. For Fixed Height ganging skip to step 6. For Adjustable Height continue to step 5.

- 5** Run the jumper through spacer grommet hole and wire pass-through on crosslink rail. Connect one end of the ganging jumper to the first powered beam phase block. Run the other end through opposite grommet hole and wire pass-through. Connect the opposite end of the ganging jumper to the first phase block on the second unit. (Figure B)

Note: Verify all connections have been fully seated and “clicked” into proper position before powering unit.



NATIONAL
Furniture with Personality™

Telephone 800.482.1717
Fax 812.482.8800
www.NationalOfficeFurniture.com

Part # 2891776
Rev. A

Printed in U.S.A.
© 2014 Kimball International, Inc.

Proper product installation, in accordance with these instructions, is the responsibility of the installing agent. If you have any questions concerning these instructions, please call National Customer Service 800.482.1717.

Assembly Instruction

- 6 Connect one end of the ganging jumper to the first powered beam open phase block connection. Run the jumper through the grommet holes in the spacer. Connect the opposite end of the ganging jumper to the first open phase block connection on the second unit. Figure C.

Note: Verify all connections have been fully seated and “clicked” into proper position before powering unit.

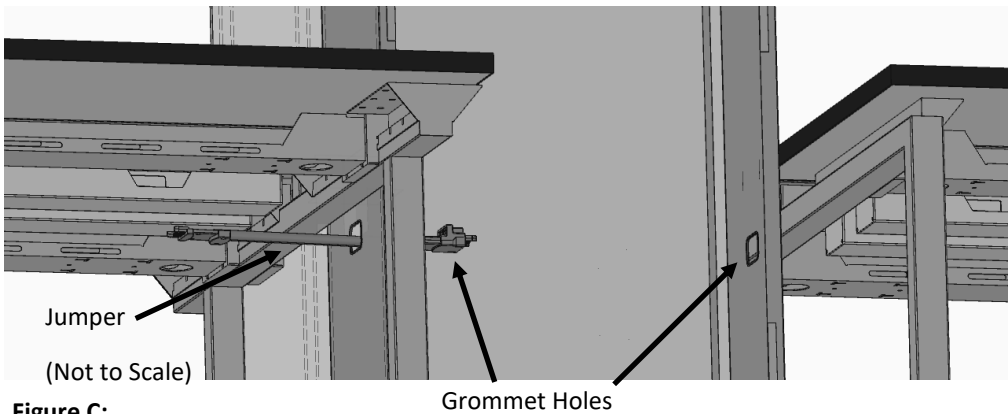


Figure C:

Alloy Ganging Jumper

NATIONAL

Furniture with Personality™

Telephone 800.482.1717
Fax 812.482.8800
www.NationalOfficeFurniture.com

Part # 2891776
Rev. A

Printed in U.S.A.
© 2014 Kimball International, Inc.

Proper product installation, in accordance with these instructions, is the responsibility of the installing agent. If you have any questions concerning these instructions, please call National Customer Service 800.482.1717.

Assembly Instruction

Alloy Ganging Jumper

For Desk to Storage Configurations (No Spacer)

7 Verify that the powered beam and ganging kit are completely installed and the units to be ganged together. For Fixed Height ganging skip to step 9. For Adjustable Height continue to step 8.

8 Run the jumper through wire pass-through on crosslink rail. Connect one end of the ganging jumper to the first powered beam phase block. Run the other end underneath storage and through opposite pass-through hole. Connect the opposite end of the ganging jumper to the first phase block on the second unit. (Figure D & E)

Note: Storage Glides might need to be raised up to allow sufficient clearance for jumper conduit.

Note: Verify all connections have been fully seated and “clicked” into proper position before powering unit.

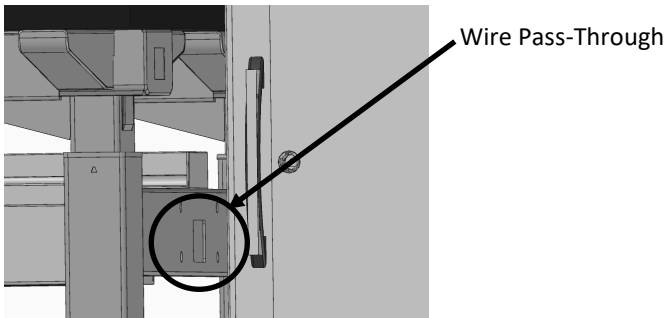


Figure D:

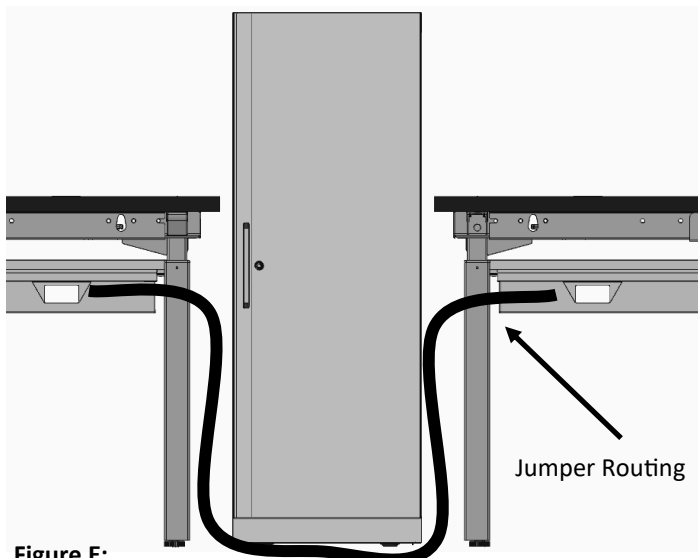


Figure E:

Proper product installation, in accordance with these instructions, is the responsibility of the installing agent. If you have any questions concerning these instructions, please call National Customer Service 800.482.1717.

NATIONAL

Furniture with Personality™

Telephone 800.482.1717
Fax 812.482.8800
www.NationalOfficeFurniture.com

Part # 2891776
Rev. A

Printed in U.S.A.
© 2014 Kimball International, Inc.

Assembly Instruction

Alloy Ganging Jumper

- 9 Connect one end of the ganging jumper to the first powered beam open phase block connection. Route the jumper underneath the storage. Connect the opposite end of the ganging jumper to the first open phase block connection on the second unit. Figure F.

Note: Storage Glides might need to be raised up to allow sufficient clearance for jumper conduit.

Note: Verify all connections have been fully seated and “clicked” into proper position before powering unit.

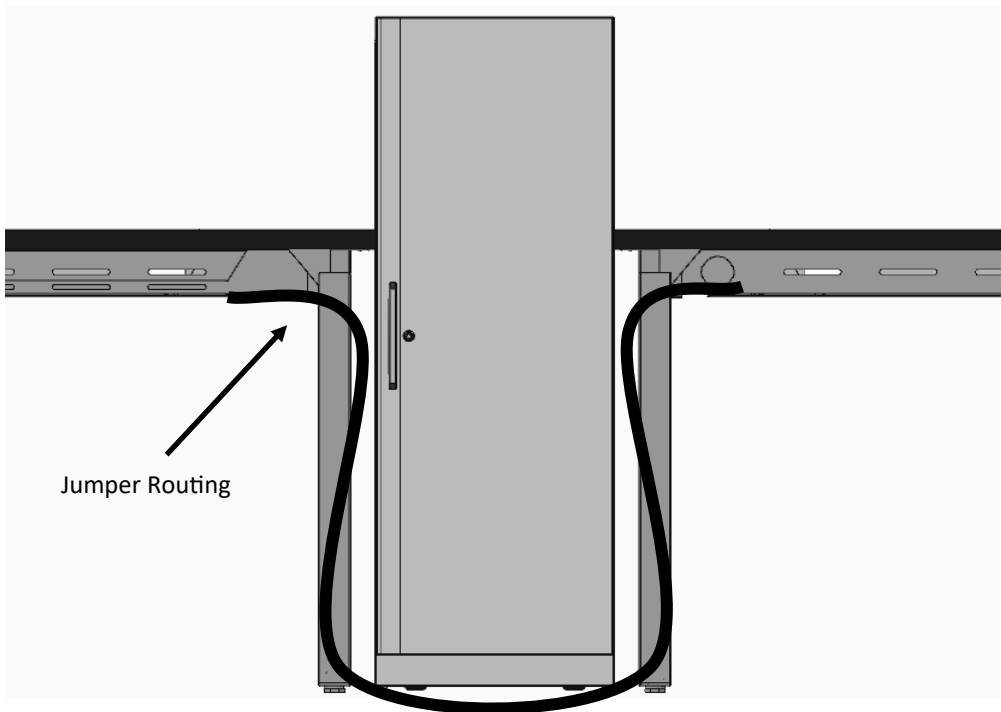


Figure F:

NATIONAL

Furniture with Personality™

Telephone 800.482.1717
Fax 812.482.8800
www.NationalOfficeFurniture.com

Part # 2891776
Rev. A

Printed in U.S.A.
© 2014 Kimball International, Inc.

Proper product installation, in accordance with these instructions, is the responsibility of the installing agent. If you have any questions concerning these instructions, please call National Customer Service 800.482.1717.