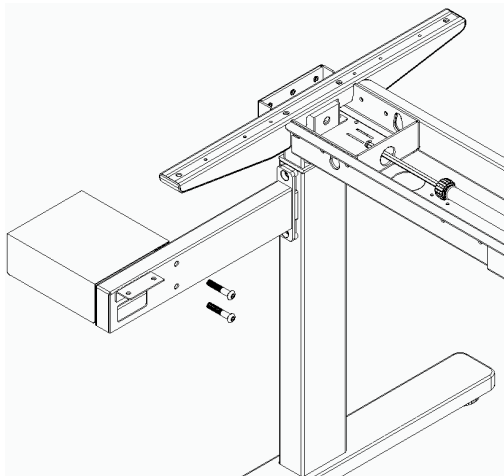


Assembly Instruction

Note: Complete this assembly before center beams are assembled.

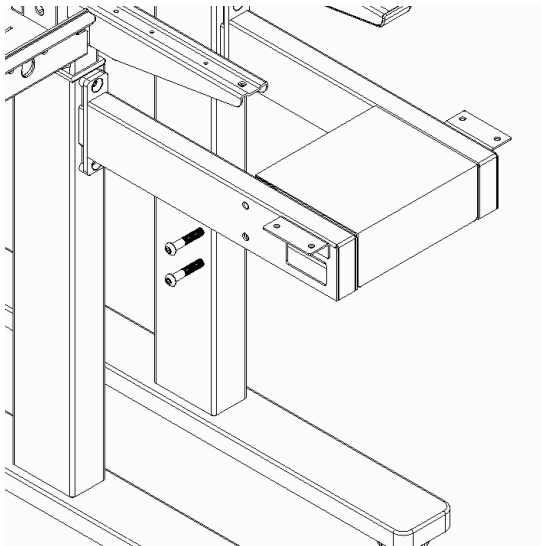
- 1** Using the provided M8x45 bolts attach one end of the wire manager as shown in **Figure A**.

Figure A:



- 2** Move the second unit into the final position and use the remaining M8x45 bolts to secure the second unit as shown in **Figure B**.

Figure B:



- 3** Use the provided cover to hide the exposed holes on the double depth units.

Alloy Single Ganging Bracket

Package Contents

Hardware	Qty
M8 x 45 Bolt	4

Tools Required
5mm Allen Wrench

NATIONAL

Furniture with Personality™

Telephone 800.482.1717
Fax 812.482.8800
www.NationalOfficeFurniture.com

Part # 3052123
Rev. -

Printed in U.S.A.
© 2014 Kimball International, Inc.

Proper product installation, in accordance with these instructions, is the responsibility of the installing agent. If you have any questions concerning these instructions, please call National Customer Service 800.482.1717.