

Assembly Instruction

Alloy Single Fixed Ganging Bracket

- 1 From the underside of the unit, place the provided two flat brackets on the desired end as shown in **Figure A**. Attach using the provided wood screws.

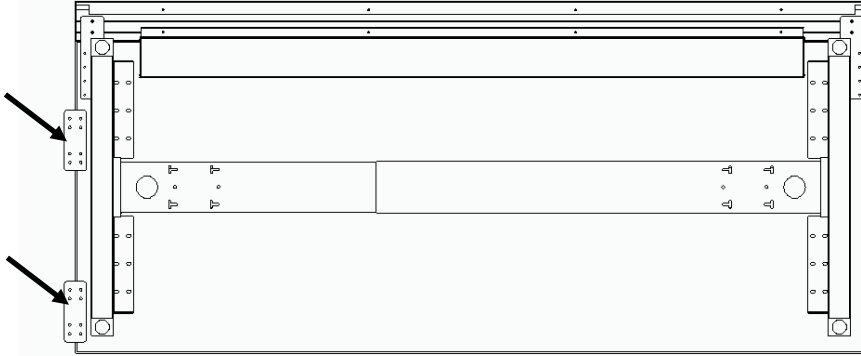


Figure A:

- 2 Move the second unit into the final position and use the remaining screws to secure the second unit as shown in **Figure B**.

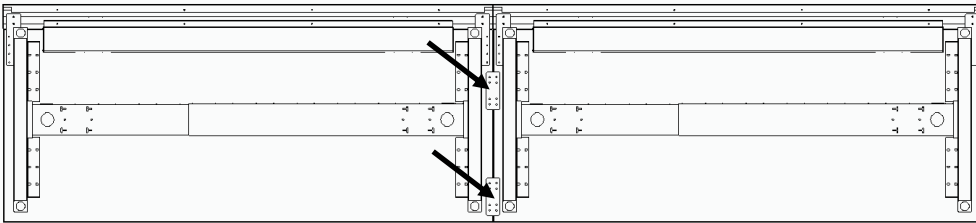


Figure B:

- 3 Attach the provided triangle cover to the front of the unit using the provided double sided tape as shown in **Figure C**.

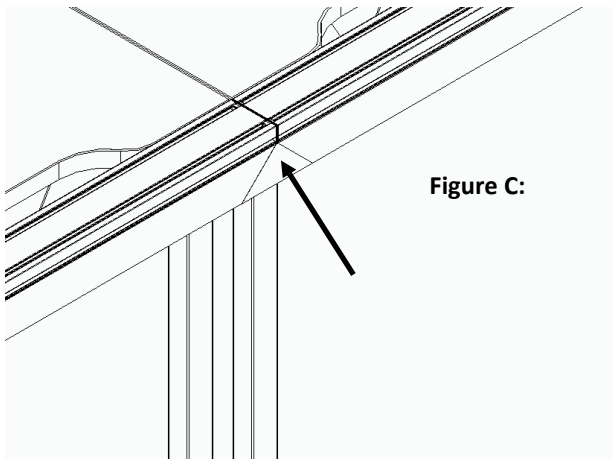


Figure C:

Package Contents

Hardware	Qty
#8 Wood Screw	16

Tools Required
Screw Driver
#2 Phillips Head

NATIONAL

Furniture with Personality®

Telephone 800.482.1717
Fax 812.482.8800
www.NationalOfficeFurniture.com

Part # 3052124
Rev. -

Printed in U.S.A.
© 2014 Kimball International, Inc.

Proper product installation, in accordance with these instructions, is the responsibility of the installing agent. If you have any questions concerning these instructions, please call National Customer Service 800.482.1717.