

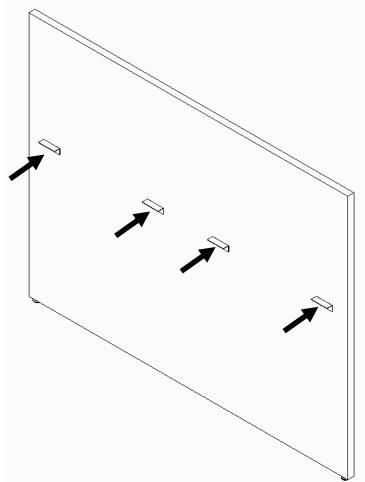
Assembly Instruction

Note: This assembly instruction will cover all configurations of the Alloy Fixed Height End of Run and Mid Support Panels.

1 Insert the provided glides into the bottom of the panel.

2 Secure the provided L brackets to the panel using #8 x 1 wood screws as shown in **Figure A**.

Figure A:



3 Attach the end of the run panel to the Alloy Fixed Height Unit as shown in **Figure B**. Mid support panels must be attached on each side of the panel as shown in **Figure C**. Use the remaining wood screws to secure the panel to the underside of the work surface.

Figure B:

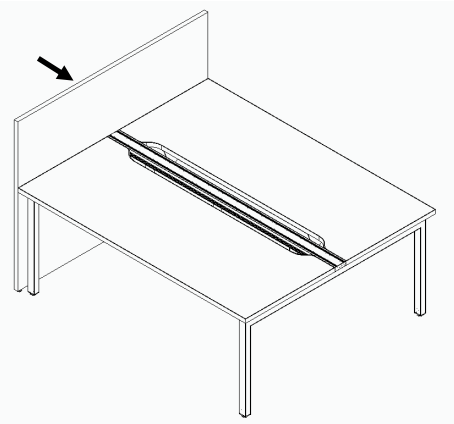
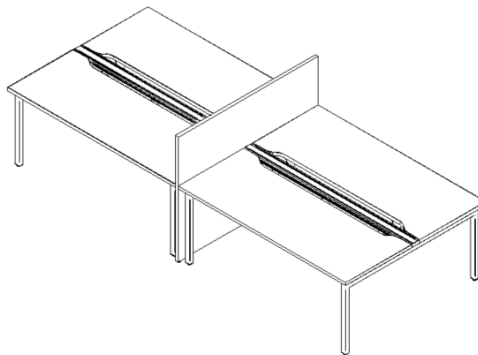


Figure C:



4 Adjust the glides and verify the panel is vertically plumb.

Alloy End of Run and Mid Support Panels, Fixed

Package Contents

Hardware	Qty
#8 x 1 Wood Screw	8 - 32
Glides	2

Tools Required

Screw Driver
#2 Phillips Driver

NATIONAL

Furniture with Personality[®]

Telephone 800.482.1717
Fax 812.482.8800
www.NationalOfficeFurniture.com

Part # 3054655
Rev. A

Printed in U.S.A.
© 2014 Kimball International, Inc.

Proper product installation, in accordance with these instructions, is the responsibility of the installing agent. If you have any questions concerning these instructions, please call National Customer Service 800.482.1717.