

Assembly Instruction

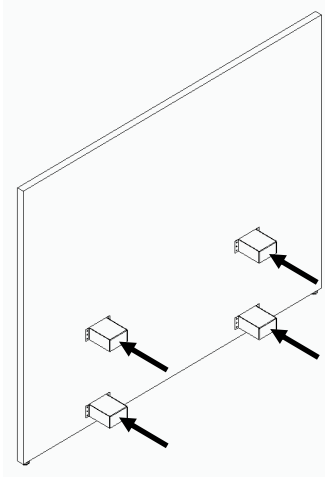
Note: This assembly instruction will cover all configurations of the Alloy Adjustable Height End of Run and Mid Support Panels.

Alloy End of Run and Mid Support Panels, Adjustable

1 Insert the provided glides into the bottom of the panel.

2 Secure the provided inner brackets to the panel using #8 x 1 wood screws as shown in **Figure A**.

Figure A:



3 Attach the end of the run panel to the Alloy adjustable height unit as shown in **Figure B**. Mid support panels must be attached on each side of the panel as shown in **Figure C**. Use the self drilling screws to secure the outer bracket to the inner bracket. It is recommended to use a clamp to pull the brackets tight before securing.

Figure B:

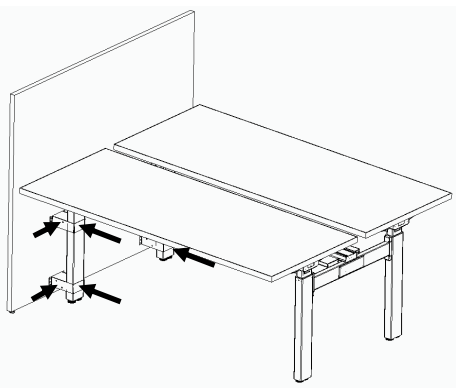
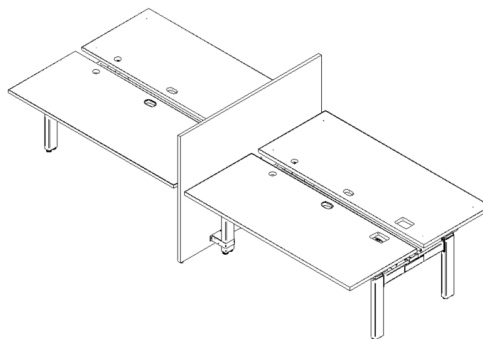


Figure C:



4 Adjust the glides and verify the panel is vertically plumb.

Package Contents

Hardware	Qty
#8 x 1 Wood Screw	12 - 48
Self-Drilling Screw	8 - 32
Glides	2

Tools Required

Screw Driver
#2 Phillips Driver

NATIONAL

Furniture with Personality®

Telephone 800.482.1717
Fax 812.482.8800
www.NationalOfficeFurniture.com

Part # 3054656
Rev. A

Printed in U.S.A.
© 2014 Kimball International, Inc.

Proper product installation, in accordance with these instructions, is the responsibility of the installing agent. If you have any questions concerning these instructions, please call National Customer Service 800.482.1717.