

## Assembly Instruction

- 1 Lay out pieces on the ground and locate mounting hardware supplied. (Figure A)

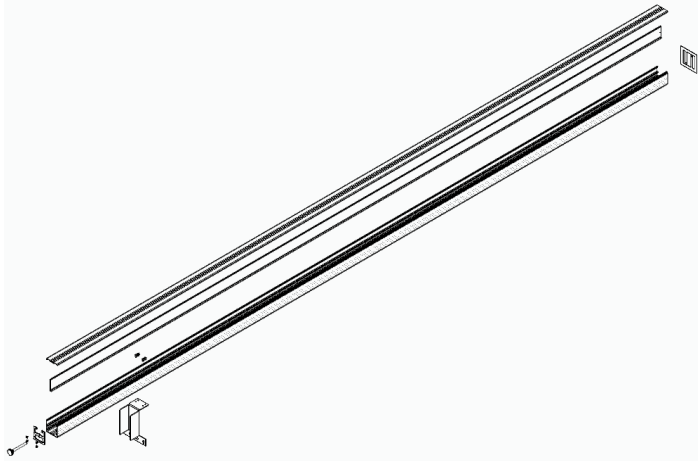


Figure A:

- 2 Install main mounting bracket to the pole casing with four (4) #10-32 x 3/16" capscrews. (Figure B)

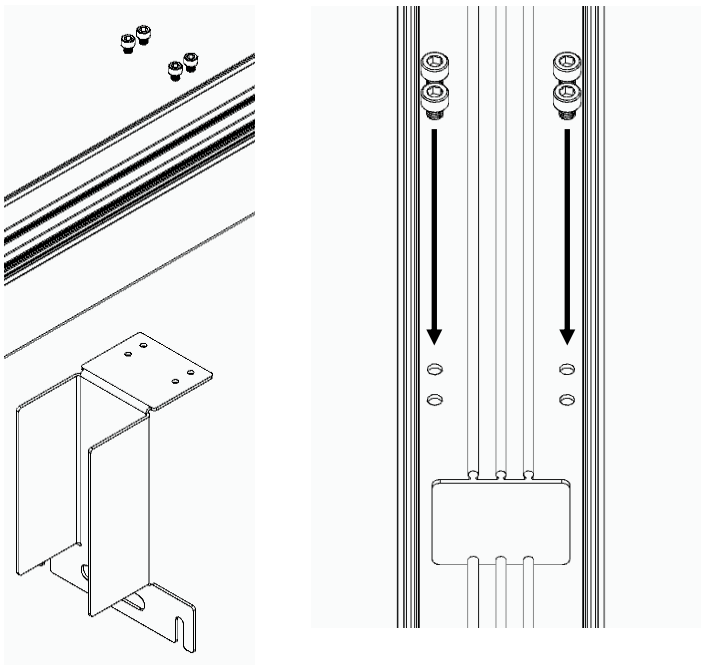


Figure B:

### Alloy Ceiling Power/Data Pole

#### Package Contents

| Item                                      | Qty |
|---|-----|
| #10-32 X 3/16<br>Socket Head Capscrew     | 4   |
| #8 X 1/4" Screw<br>Phillips               | 4   |
| #10 X 1/2" Hex Head<br>Self Tapping Screw | 2   |

#### Component Power Pole

#### Tools Required Screw Driver #2 Phillips 1/4" Socket

# NATIONAL

Furniture with Personality®

Telephone 800.482.1717  
Fax 812.482.8800  
[www.NationalOfficeFurniture.com](http://www.NationalOfficeFurniture.com)

Part # 3112080  
Rev. A

Printed in U.S.A.  
© 2018 Kimball International, Inc.

Proper product installation, in accordance with these instructions, is the responsibility of the installing agent. If you have any questions concerning these instructions, please call National Customer Service 800.482.1717.

## Assembly Instruction

- 3 Install pole wire divider into main pole casing. There are 3 positions the wire divider can be installed in, select a position based on the needs of the application. Ensure the divider is fully seated onto mounting profile. (Figure C)

**Note: If the middle profile is used for the wire divider the piece needs to be offset from the end of the case by 3" min. to allow for clearance for the glide mounting screw when installed. (Figure D)**

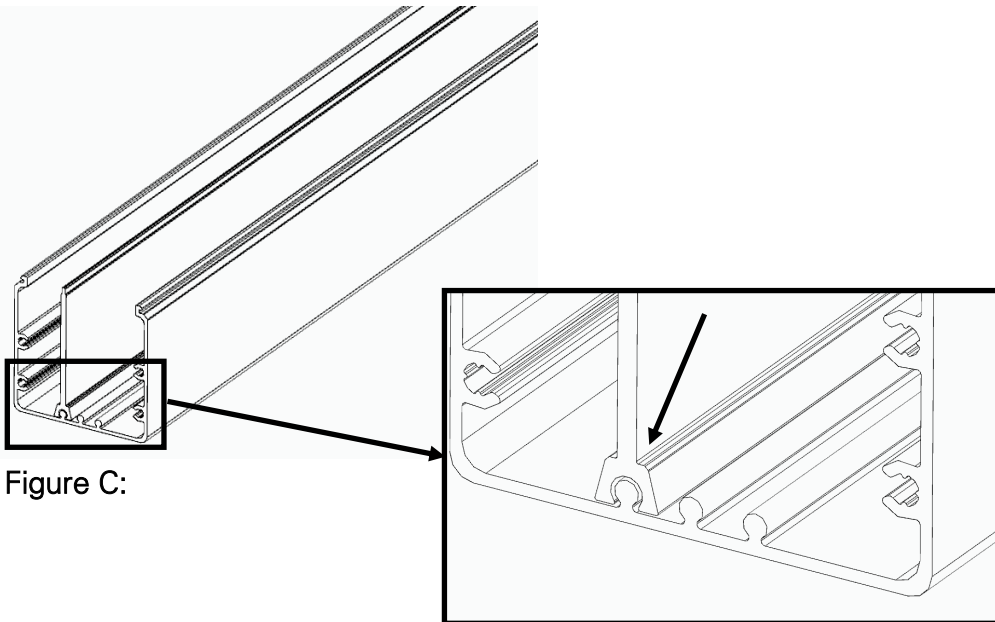


Figure C:

Offset for center position only

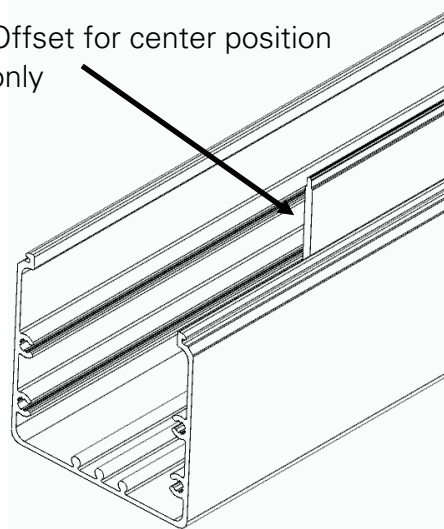


Figure D:

**Alloy**  
Ceiling Power/Data Pole

**NATIONAL**  
Furniture with Personality™

Telephone 800.482.1717  
Fax 812.482.8800  
[www.NationalOfficeFurniture.com](http://www.NationalOfficeFurniture.com)

Part # 3112080  
Rev. A

Printed in U.S.A.  
© 2018 Kimball International, Inc.

Proper product installation, in accordance with these instructions, is the responsibility of the installing agent. If you have any questions concerning these instructions, please call National Customer Service 800.482.1717.

## Assembly Instruction

- 4 Install face plate along full length of casing. Ensure all three locating profiles are seated along full length of casing. (Figure E)

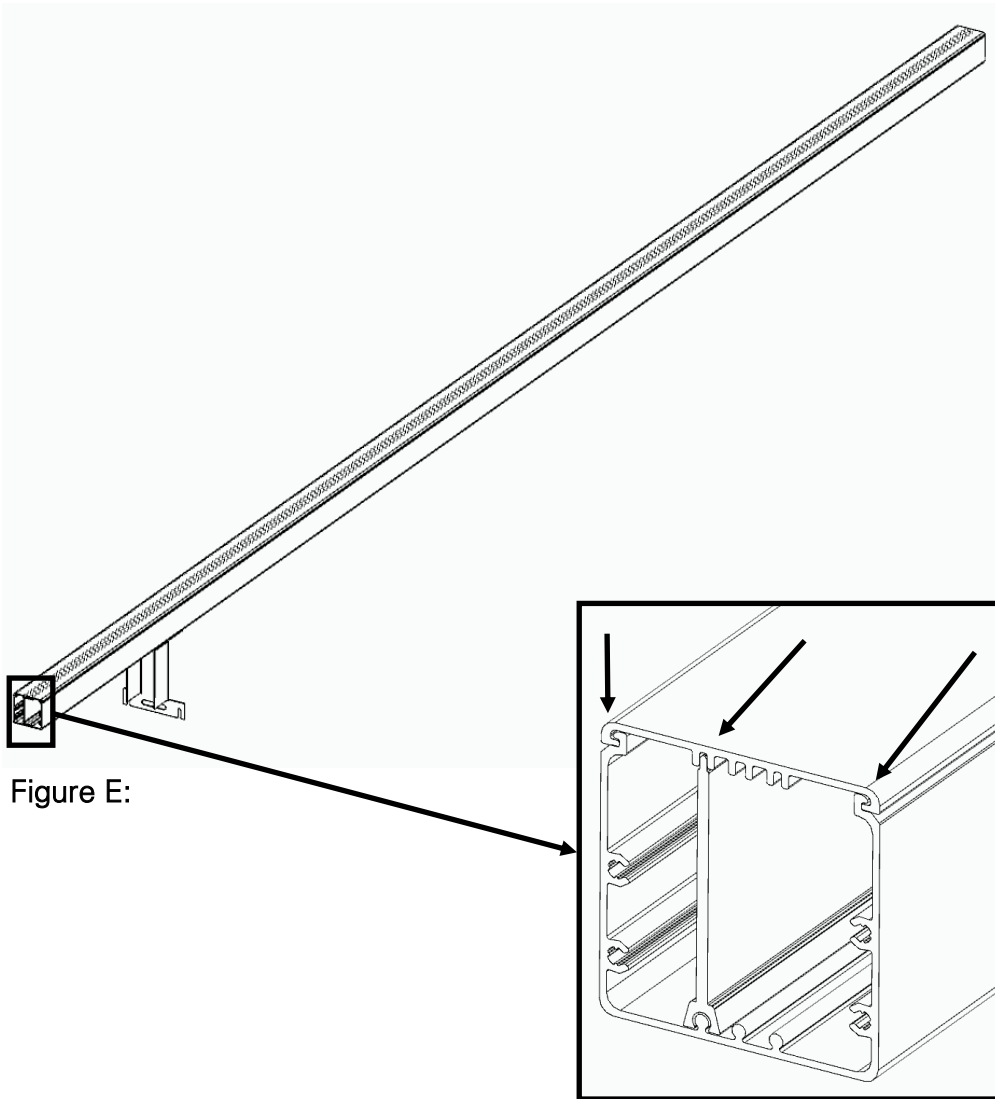


Figure E:

**Alloy**  
Ceiling Power/Data Pole

**NATIONAL**

Furniture with Personality™

Telephone 800.482.1717  
Fax 812.482.8800  
[www.NationalOfficeFurniture.com](http://www.NationalOfficeFurniture.com)

Part # 3112080  
Rev. A

Printed in U.S.A.  
© 2018 Kimball International, Inc.

Proper product installation, in accordance with these instructions, is the responsibility of the installing agent. If you have any questions concerning these instructions, please call National Customer Service 800.482.1717.

## Assembly Instruction

- 5** Install bottom glide mount to case using four (4) #8 X 1/4" screws.  
(Figure F)

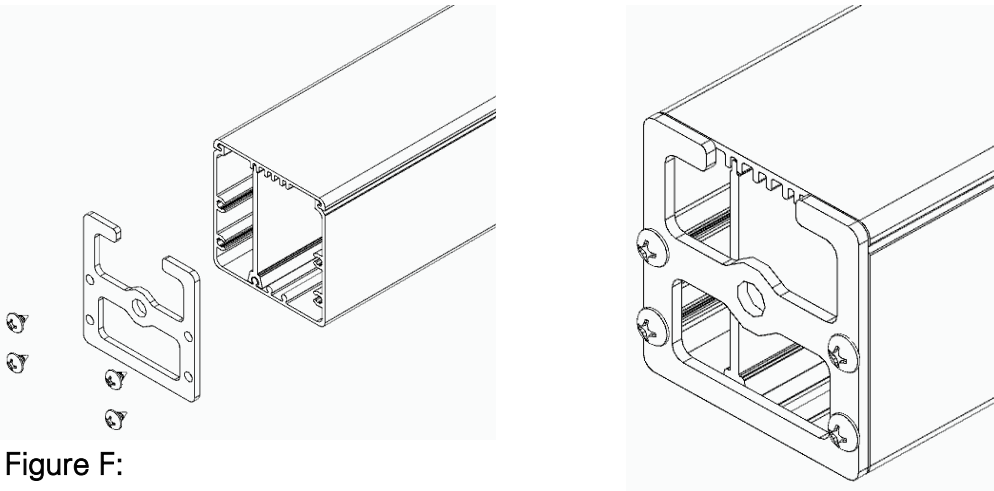


Figure F:

- 6** Install bottom glide into threaded hole in glide mount plate  
(Figure G)

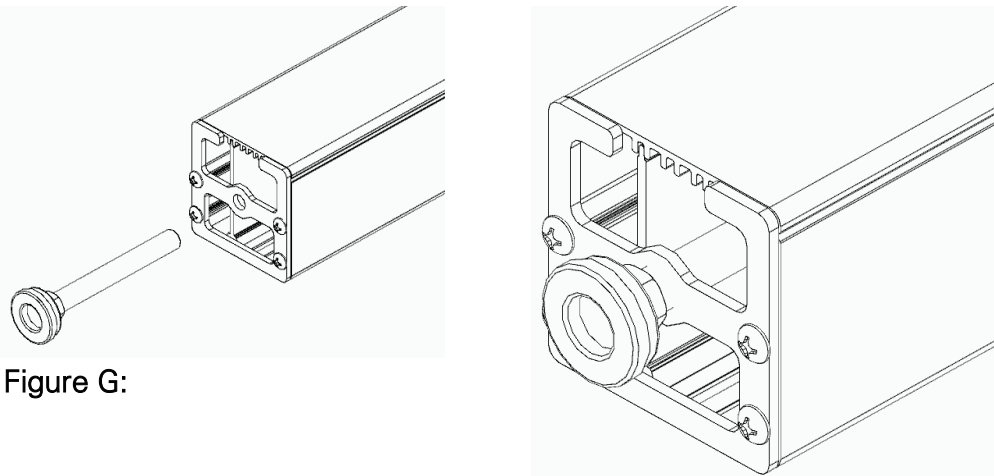


Figure G:

**Alloy**  
Ceiling Power/Data Pole

**NATIONAL**

Furniture with Personality™

Telephone 800.482.1717  
Fax 812.482.8800  
[www.NationalOfficeFurniture.com](http://www.NationalOfficeFurniture.com)

Part # 3112080  
Rev. A

Printed in U.S.A.  
© 2018 Kimball International, Inc.

Proper product installation, in accordance with these instructions, is the responsibility of the installing agent. If you have any questions concerning these instructions, please call National Customer Service 800.482.1717.

## Assembly Instruction

- 7** Stand up finished pole assembly and mount to finish assembled table using two (2) #10 X 1/2" self tapping screws.

**If mounting to Adjustable Height Table mount to underside of power bar. (Figure H)**

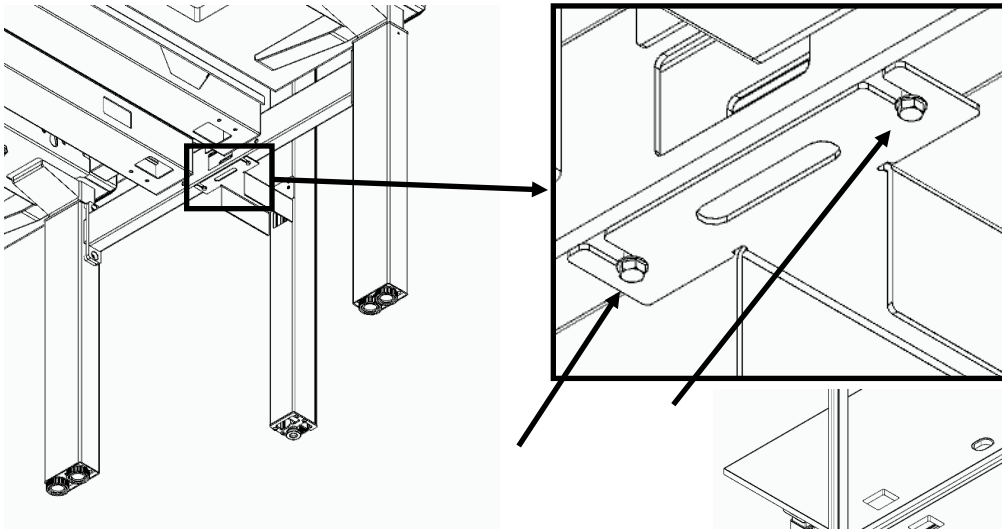


Figure H:

**If mounting to Fixed Height Table mount to underside of leg with bracket flush against rear leg. (Figure I)**

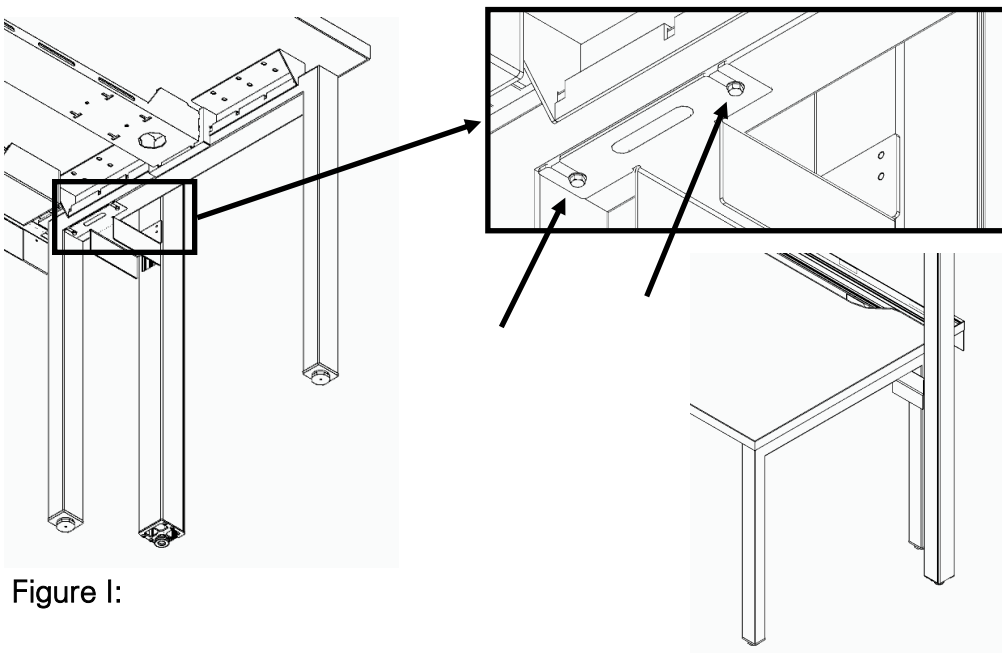


Figure I:

Proper product installation, in accordance with these instructions, is the responsibility of the installing agent. If you have any questions concerning these instructions, please call National Customer Service 800.482.1717.

**Alloy**  
Ceiling Power/Data Pole

**NATIONAL**  
Furniture with Personality™

Telephone 800.482.1717  
Fax 812.482.8800  
[www.NationalOfficeFurniture.com](http://www.NationalOfficeFurniture.com)

Part # 3112080  
Rev. A

Printed in U.S.A.  
© 2018 Kimball International, Inc.

## Assembly Instruction

- 8** Secure upper end of power pole assembly to fixed support in ceiling. Various methods are acceptable using hanger strapping or other construction materials so long as a rigid support is created.

- 9 (Optional for trim plate installation)** Bend arms out and slide trim plate over top of power pole assembly. Position underneath ceiling cutout. (Figure J)

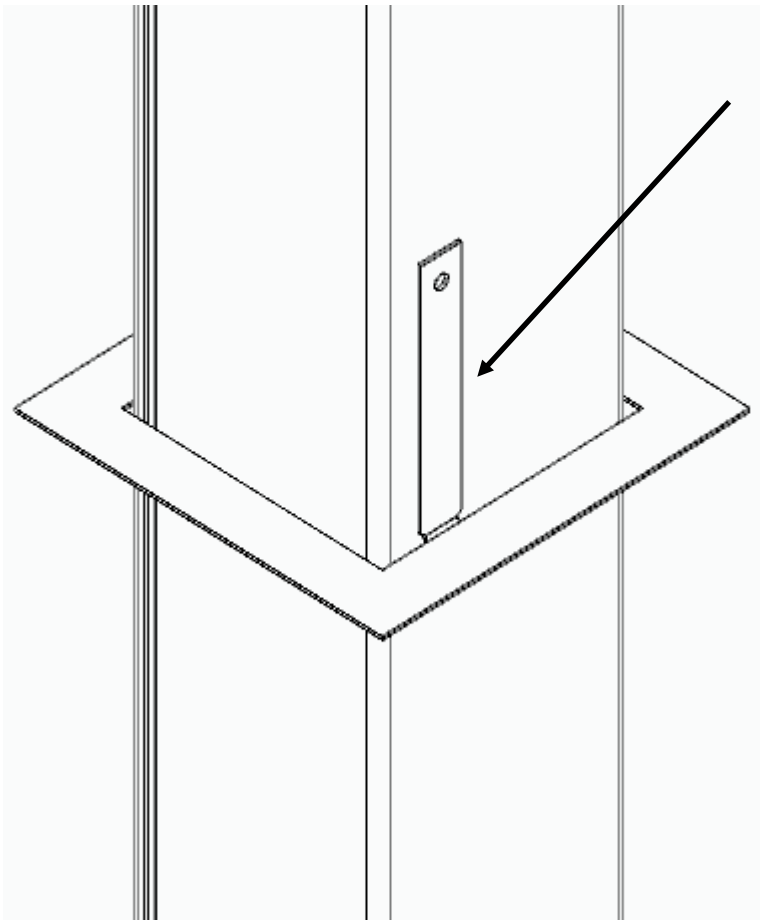


Figure J:

Proper product installation, in accordance with these instructions, is the responsibility of the installing agent. If you have any questions concerning these instructions, please call National Customer Service 800.482.1717.

**Alloy**  
Ceiling Power/Data Pole

**NATIONAL**

Furniture with Personality™

Telephone 800.482.1717  
Fax 812.482.8800  
[www.NationalOfficeFurniture.com](http://www.NationalOfficeFurniture.com)

Part # 3112080  
Rev. A

Printed in U.S.A.  
© 2018 Kimball International, Inc.