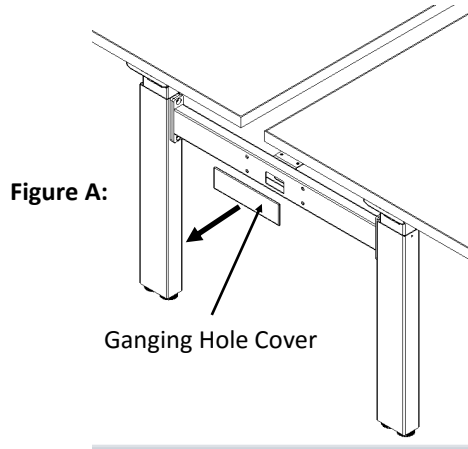


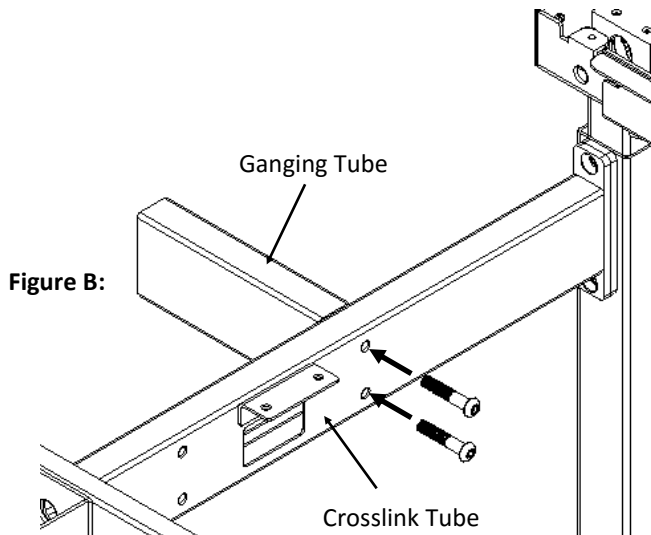
Assembly Instruction

Note: Attach all ganging kits desired before installing either powered or non-powered beam.

- 1 Remove crosslink tube ganging hole cover from both adjustable height units to be ganged together as shown in **Figure A**.



- 2 Align the first ganging tube with the two holes in the crosslink tube. Using the supplied M8 x 45 screws secure one side of the ganging tube to the adjustable height unit's crosslink tube as shown in **Figure B**. Repeat for the second ganging tube.



- 3 Align the opposite side of the ganging tubes to the second adjustable height unit's crosslink tube holes. Secure both ganging tubes using the supplied screws as shown in Step 2.

Alloy Ganging Kit

Package Contents

Hardware	Qty
M8 x 45 Screw	4

Component	Qty
Ganging Tube	2
Ganging Tube Cover	1

Tools Required
5mm Allen Wrench

NATIONAL

Furniture with Personality™

Telephone 800.482.1717
Fax 812.482.8800
www.NationalOfficeFurniture.com

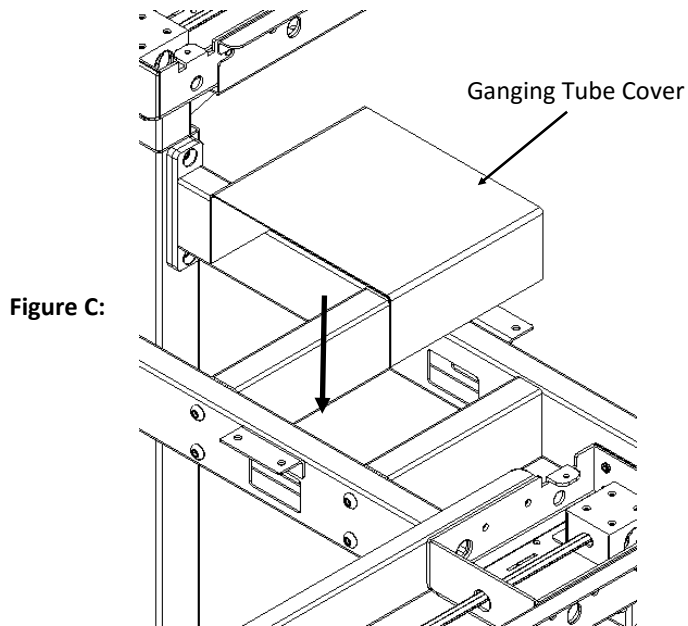
Part # 2892080
Rev. -

Printed in U.S.A.
© 2014 Kimball International, Inc.

Proper product installation, in accordance with these instructions, is the responsibility of the installing agent. If you have any questions concerning these instructions, please call National Customer Service 800.482.1717.

Assembly Instruction

- 4** Place the ganging tube cover over top of the two secured ganging tubes as shown in **Figure C**.



Alloy Ganging Kit

Package Contents

Hardware	Qty
M8 x 45 Screw	4

Component	Qty
Ganging Tube	2
Ganging Tube Cover	1

Tools Required
5mm Allen Wrench

NATIONAL

Furniture with Personality®

Telephone 800.482.1717
Fax 812.482.8800
www.NationalOfficeFurniture.com

Part # 2892080
Rev. -

Printed in U.S.A.
© 2014 Kimball International, Inc.

Proper product installation, in accordance with these instructions, is the responsibility of the installing agent. If you have any questions concerning these instructions, please call National Customer Service 800.482.1717.