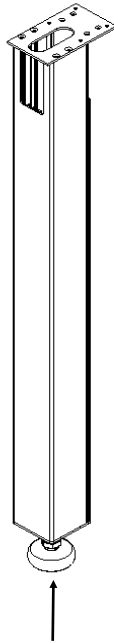


## Assembly Instruction

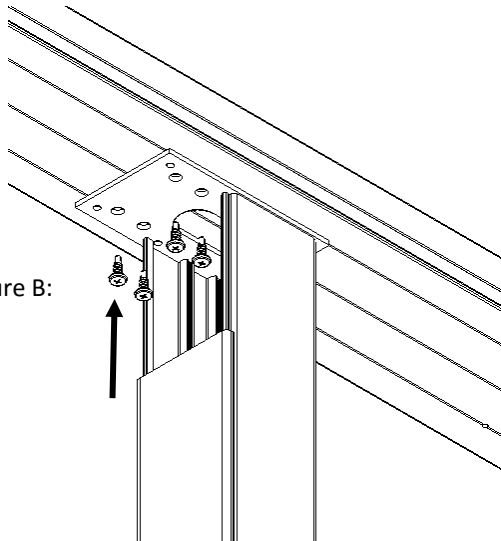
- 1 Screw the provided adjustable glide into the base of the power entry pole as shown in **Figure B**.

Figure A:



- 2 Determine where along the center beam you would like the power entry. Using the four provided screws attach the top mounting plate to the bottom side of the center beam as shown in **Figure A**. Verify the power entry pole will not interfere with any other components before attaching.

Figure B:



- 3 Remove the power entry pole cover to run power entry whip. Re-attach cover when power has been connected.

### Alloy Power Entry Pole

#### Package Contents

Hardware	Qty
#8 x .5 Self Drilling Screw	4
Glide	1

Component	Qty
Power Entry Pole	1

Tools Required
Screw Driver
#2 Phillips Drive

**NATIONAL**

Furniture with Personality®

Telephone 800.482.1717  
Fax 812.482.8800  
[www.NationalOfficeFurniture.com](http://www.NationalOfficeFurniture.com)

Part # 2894851  
Rev. -

Printed in U.S.A  
© 2014 Kimball International, Inc.

Proper product installation, in accordance with these instructions, is the responsibility of the installing agent. If you have any questions concerning these instructions, please call National Customer Service 800.482.1717.