

Height Adjustable Return

Tools Required

- Box Cutter/Utility Knife
- Cordless Drill w/#2 Phillips head bit drive
- M5 Allen key
- Level

Hardware Required

- 2 - Single or double sided base cabinets
- 1 - Storage base assembly
- 2 - Shroud assemblies
- 2 - Flat mounting plates
- 2 one side, 4 two side return - Height adjustable leg
- 16 - #8 X 1 1/4" pan head screws
- 12 - #8 x 1" pan head screws
- 23 - #8 x 5/8" pan head screws
- 8 one side, 16 two side return - M6 x 25mm Machine screws
- 16 - #10 x 1 1/4" flat head screws
- M4 x 15 Connecting bolts for ganging
- M4 Connecting sleeve for ganging

Installation

1. Using a knife open boxes removing all components carefully and place aside. See components in **Figure A and hardware required.**
2. Carefully place the left and right cabinets on their top so that the bottom is facing up. Align and square the end panels so everything is flush, using the provided ganging hardware secure and fasten the two cabinets together. **See Figure B.**
3. With the cabinets still on their top, place the two flat mounting plates in the machined area of the bottom panel and secure the flat mounting plates to the bottom of each cabinet through the holes marked with #8 x 1" pan head screws. **See Figure C.**
4. Attach the base assembly by aligning the (4) outer holes in the metal feet with the predrilled holes in the bottom panel. Using the #10 x 1 1/4" flat head screws, drive them in to the bottom panel. **See Figure D for hole locations.** With the outer 4 screws secure, drive and secure the remaining (12) #10 x 1 1/4" flat head screws through the remaining holes in the metal feet and in to the bottom panel.
5. With all #10 x 1 1/4" screws secure, insert and secure the rest of the frame to the bottom of the cabinets with the #8 x 5/8" pan head screws provided. **See Figure E.**

Figure A

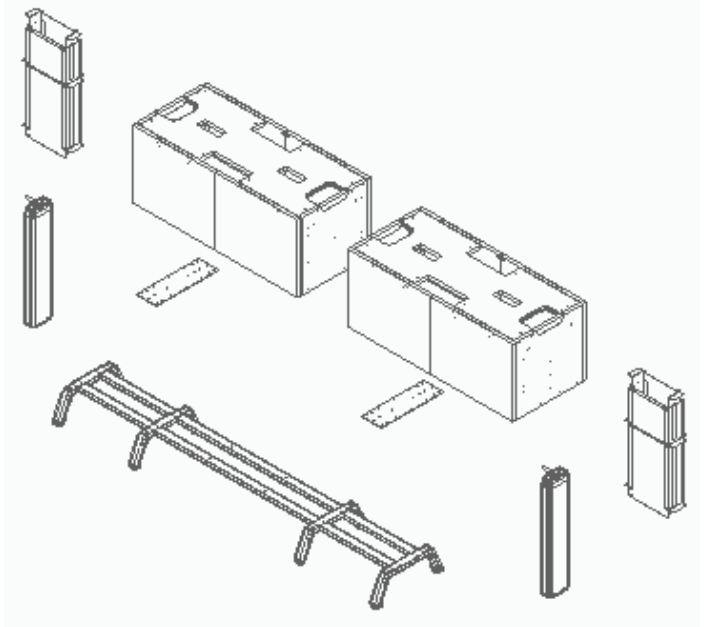


Figure B

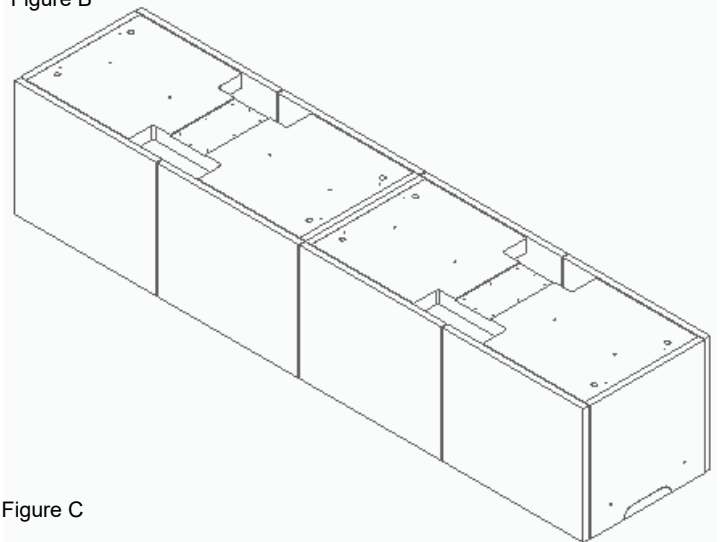
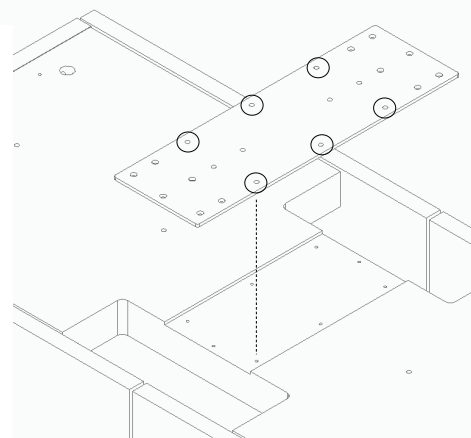


Figure C



Installation

6. Stand the base units on the newly installed base in the final location and level the assembly. With the base unit leveled you can now place the display unit on top (**recommend a minimum of two people, display units are heavy**) align the end panels front/back, left/right to the base assembly. Using the #8 x 1/4" pan head screws, secure the display unit through the pre-bored holes in the top panel of the base units. **See Figure F.**
7. Installing the shrouds for the height adjustable legs. Separate shroud components into lower shroud, middle shroud and inner shroud. **See Figure G.** Install lower shroud component first by sliding it into position and securing it through the mounting flanges with #8 x 5/8" pan head screws (**4 screws through the bottom flanges into the bottom and 3 screws through the rear top flange into the top**)
8. Next, slide the middle shroud into position with the mounting flanges against the bottom of the base cabinets top panel and secure with (4) #8 x 5/8" pan head screws. **See Figure G.**
9. With lower and middle shroud now secure, lower the inner shroud into position making sure the front fixed cover is facing the rear of the doors. **See Figure G.**

Figure F

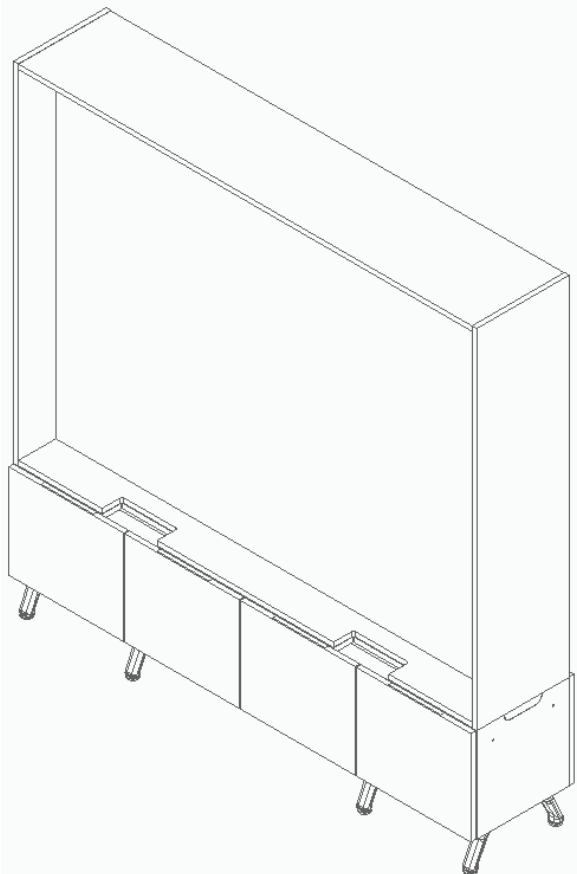


Figure D

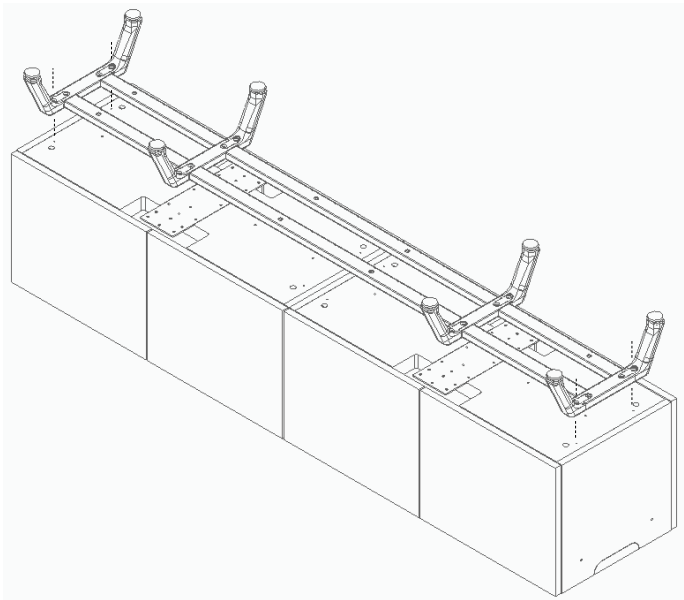
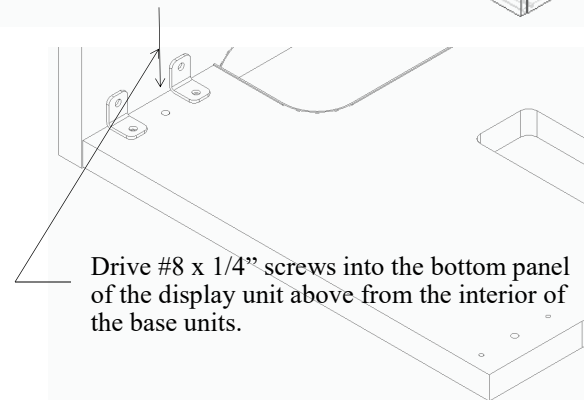
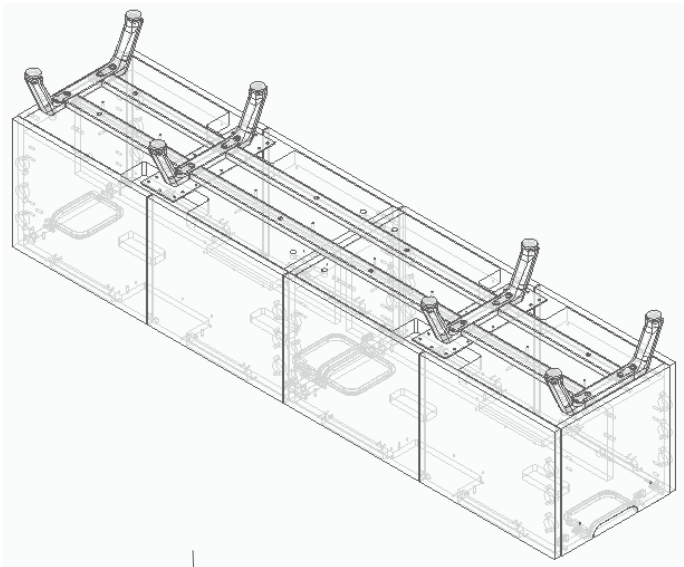


Figure E



Drive #8 x 1/4" screws into the bottom panel of the display unit above from the interior of the base units.

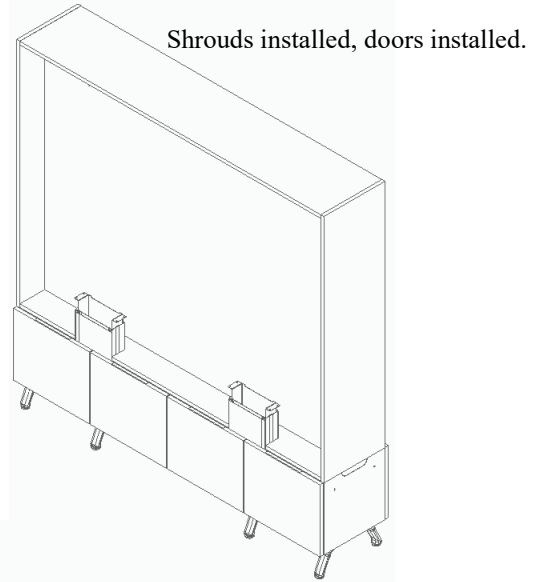
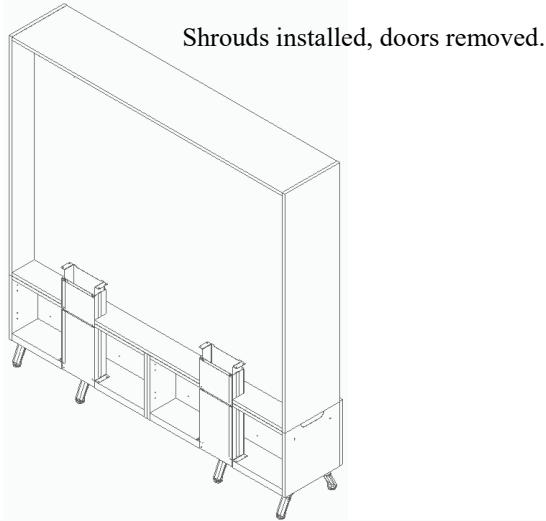
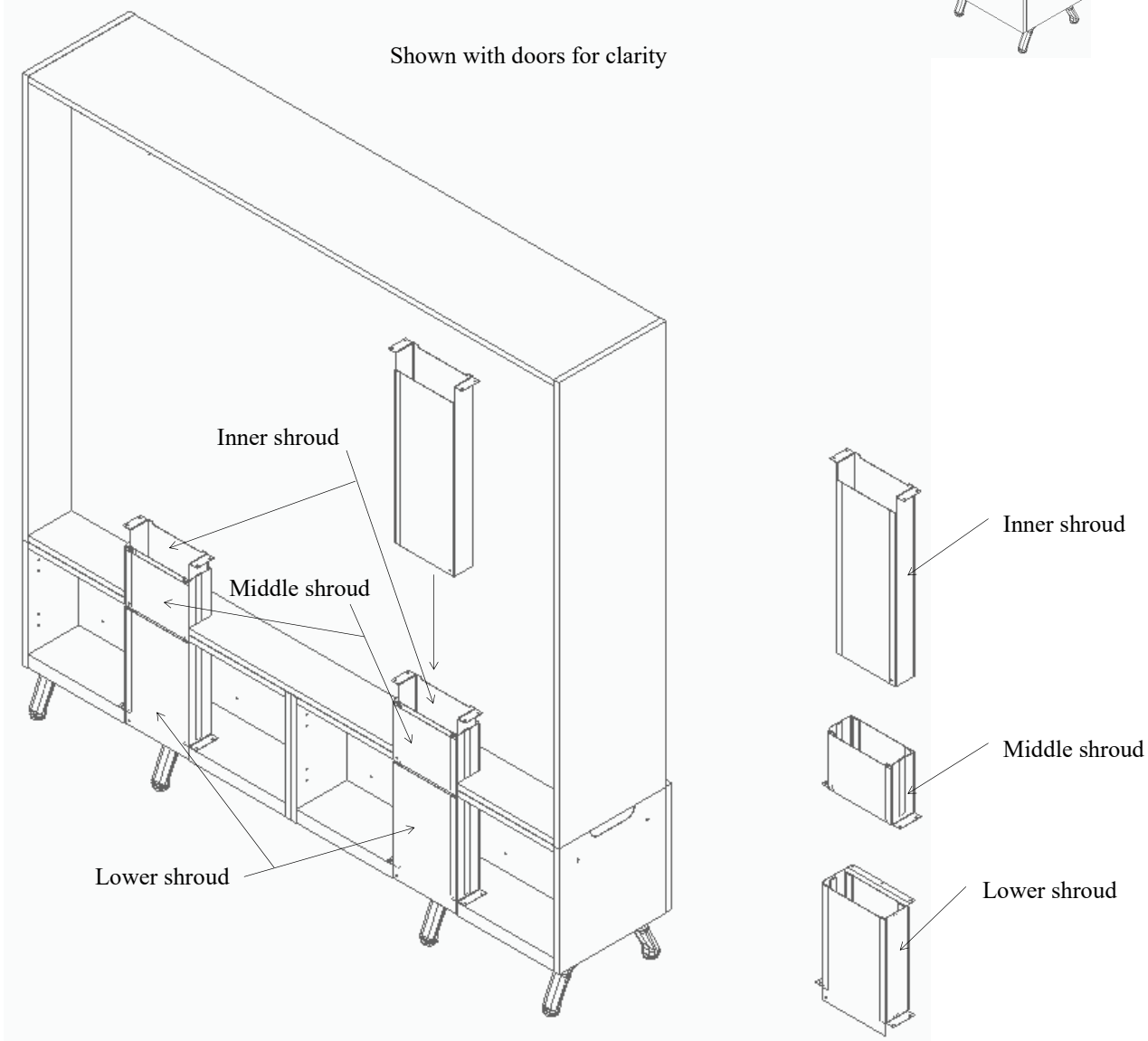


Figure G



10. Insert the height adjustable leg into the open area of the shroud assembly and let it rest on the flat mounting plate at the bottom. Align the (4) mounting holes in the bottom of the leg to the (4) holes in the flat plate. Insert and secure leg to plate with (4) M6 x 25 machine screws. **See Figure H.** Repeat process for the remaining legs.
11. Locate the undersurface support rail assemblies, height adjustable leg assembly with foot and cantilever bracket. **See Figure J.**
12. Attach the main surface support rail to the adjustable leg assembly with foot using (4) M6 X 20mm machine screws then attach the other rail plate to the adjustable leg mounted on the base cabinet. **See Figure K.**
13. Attach the return surface support rail assembly to the remaining adjustable leg mounted on the base cabinet. **See Figure L.** On the bottom side of the rail assemblies where the return rail and main surface rail meet, attach the two with the cantilever bracket using the provided sheet metal screws. **See Detail L-1, sheet 5.**

Figure H

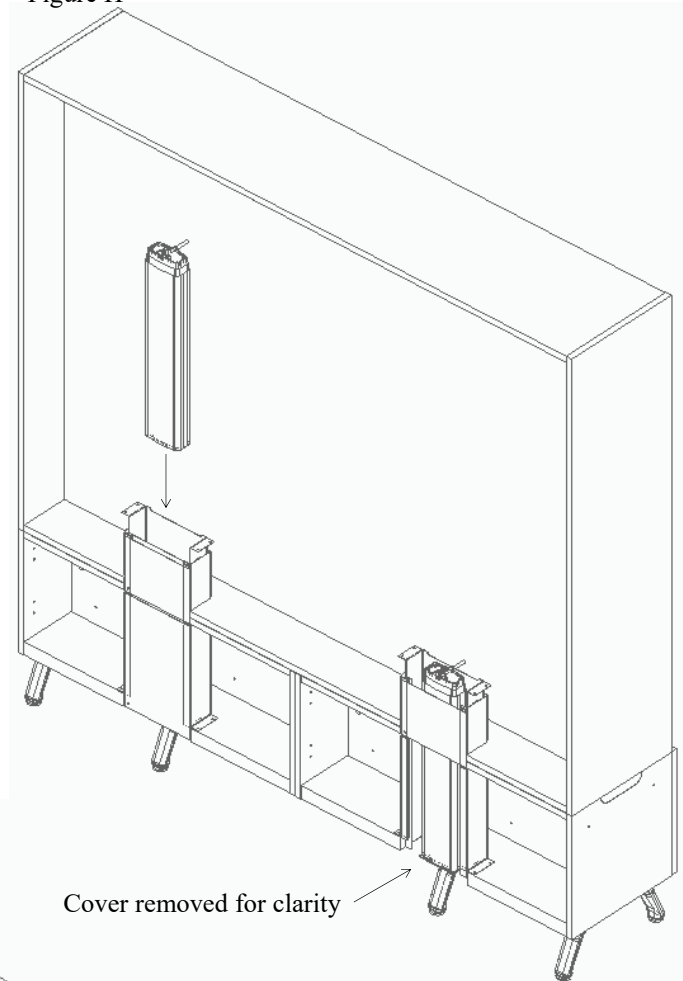


Figure J

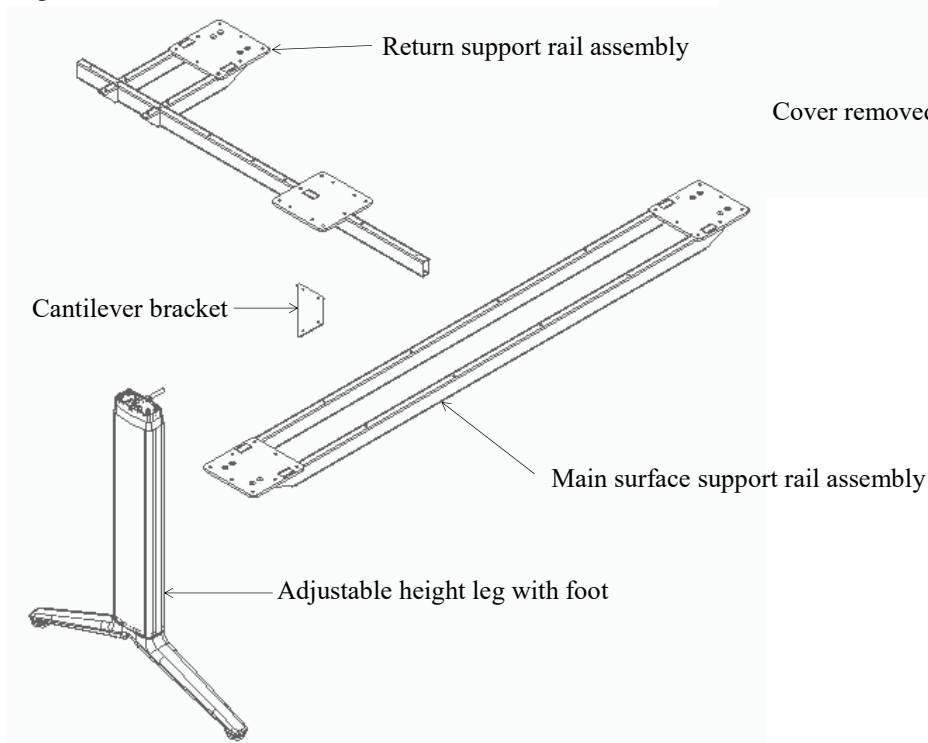


Figure K

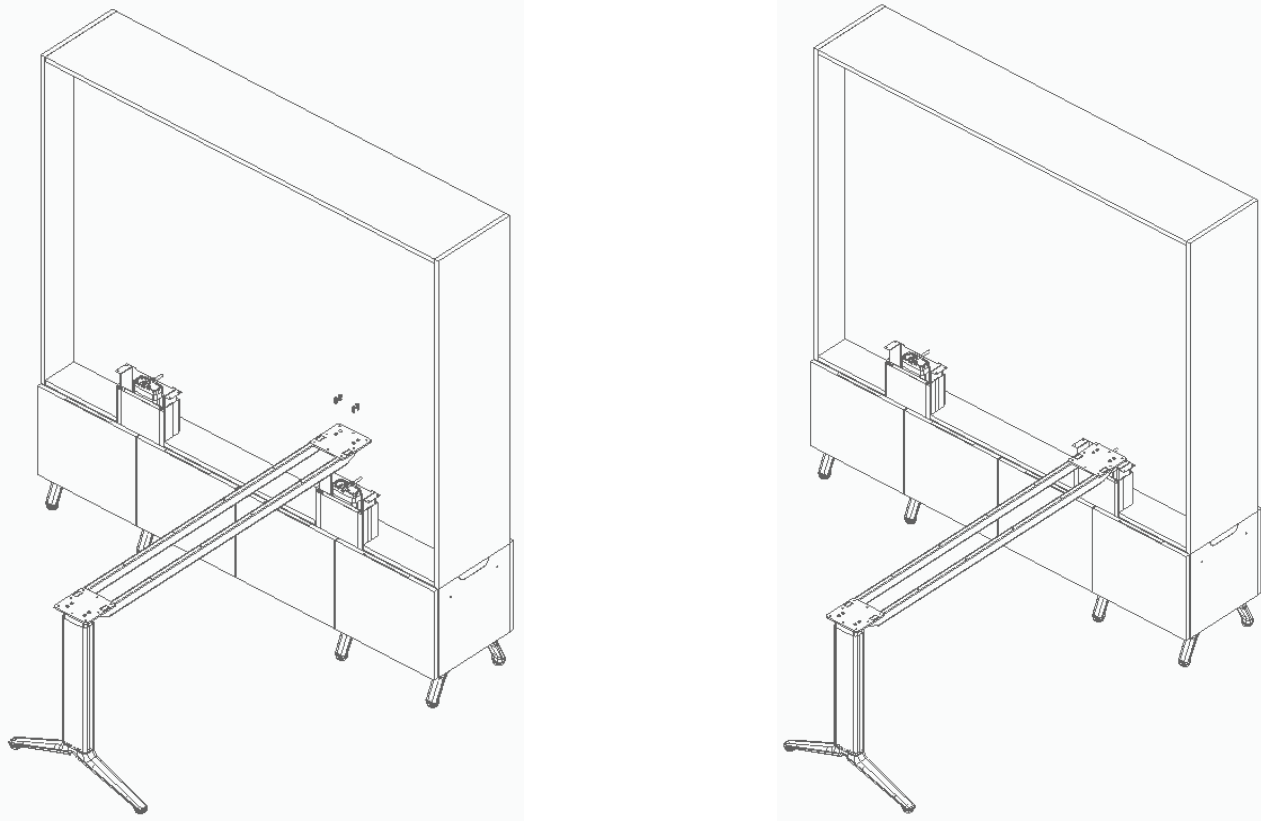
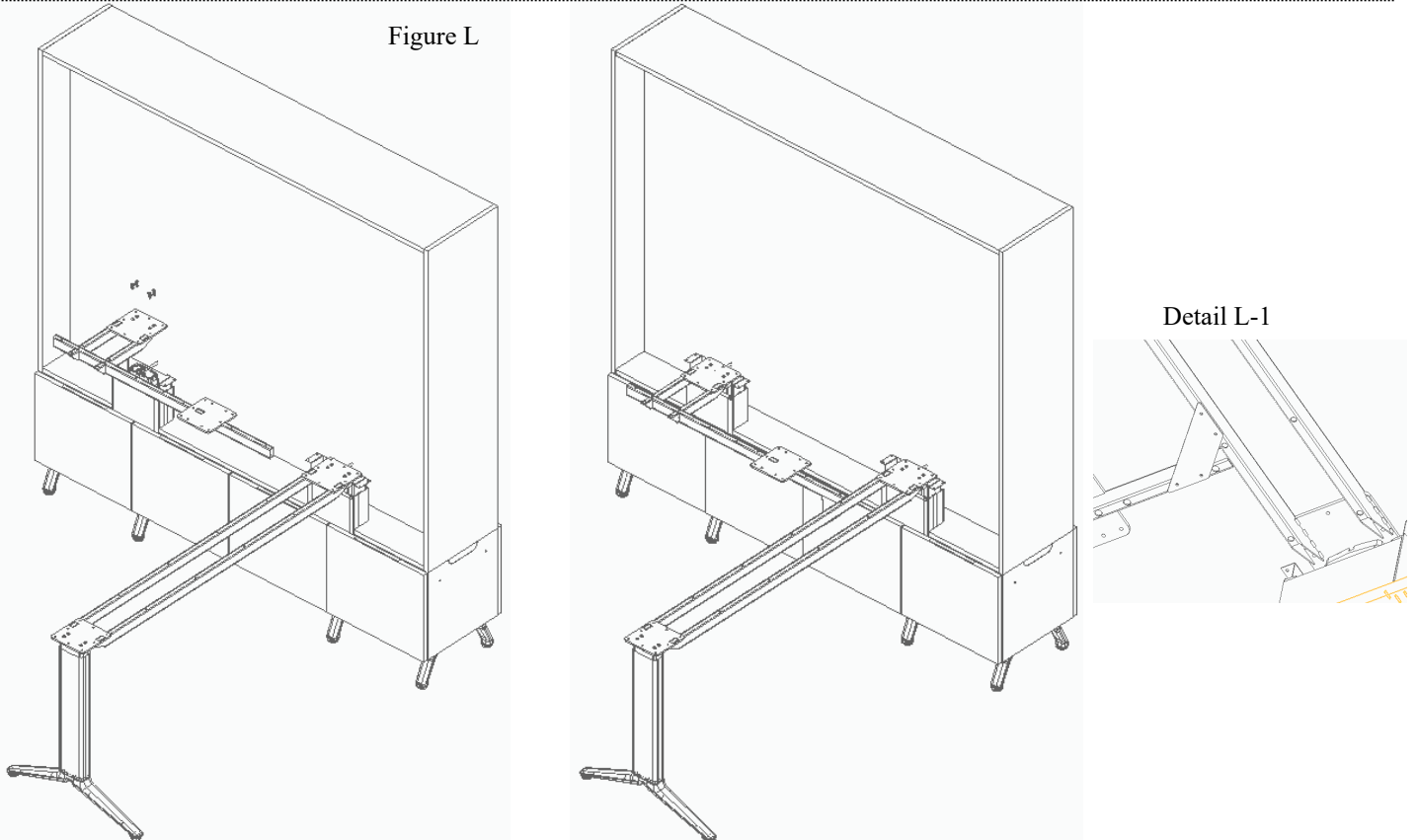


Figure L



Proper product installation, in accordance with these instructions, is the responsibility of the installing agent. If you have any questions concerning these instructions, please call Kimball Customer Care.

Kimball®

14. Unbox the main and return surfaces. Position the surfaces in their final location on top of the support rails below, **take care and maintain a 1" distance from any back or end panel to eliminate any pinch points when installed.** See **Figure M.** Using the #10 x 1" pan head screws, insert through the clearance holes in the 1" mounting plates of the rail assemblies the surfaces are resting on. With the #10 x 1" screws secured, insert and secure the #8 x 3/4" pan head screws into the mounting holes of the rectangular tubes of the support rail assemblies. With surfaces secure, slide the inner shroud up and secure to the bottom of the surfaces. **(make sure the inner shroud stays perfectly vertical and maintains ability to rise and lower with the surfaces without binding)** Secure the inner shroud with #8 x 5/8" pan head screws. Installation is now complete.

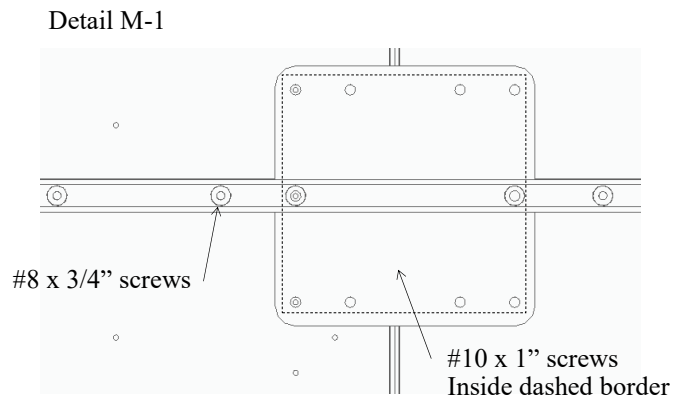


Figure M

