

## Sit on Bookcase and Display (ganging)

### Tools Required

- Cordless Drill w/#2 Phillips head bit drive
- 3mm diameter drill bit
- Countersink bit
- Cabinet clamp

### Hardware Required

1 - Sit on display or bookcase (multiple units for ganging)  
 6 - #8 x 1 1/4" flat head screws - (6) included in hardware kit of each unit

### Installation

1. Unbox sit on display or bookcase. **Figure A.**
2. Sit the display or bookcase unit(s) on top of the base(s) and align the end panels. When properly aligned, open the doors (if applicable) on the base unit(s). Locate the predrilled holes in the top panel or stretcher in the base(s). Using a #8 x 1 1/4" pan head screw, insert in the predrilled holes and tighten into the bottom panel of the display or bookcase. Repeat if needed for multiple units. **Figure B.**
3. When properly aligned it is recommended to use a clamp of some sort to secure one unit to the next before drilling the ganging holes. Drill (6) 3mm diameter holes from the interior of one display/bookcase unit into the end panel of the adjoining unit in the approximate areas indicated by arrows. **Figure C. (DO NOT DRILL DEEPER THAN 1 1/4")** With all holes drilled countersink the holes to the diameter of the #8 x 1 1/4" flat head screws. Insert and tighten screws to complete ganging.

Figure C

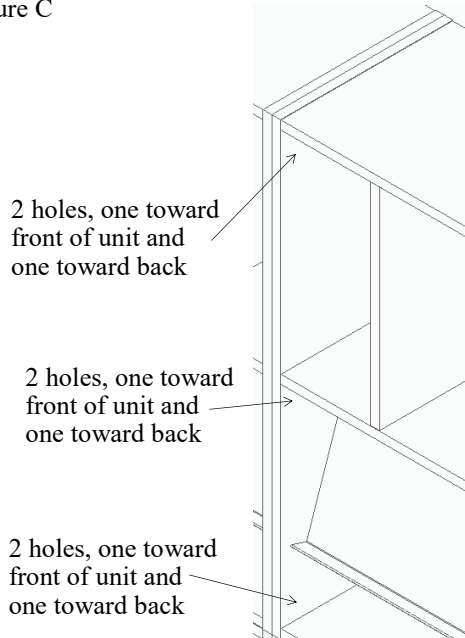


Figure A

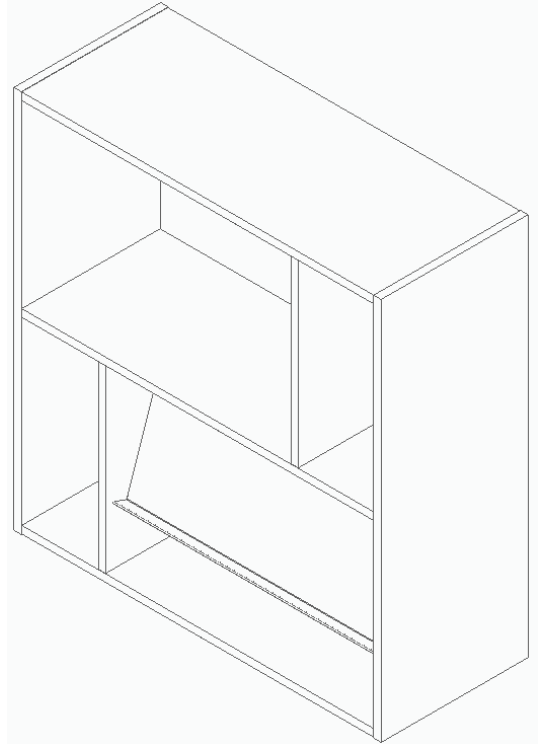


Figure B

