

# M2X<sup>®</sup>-B Double Pivoting Power Grommet G15B

POWER+DATA SOLUTIONS

## FEATURES

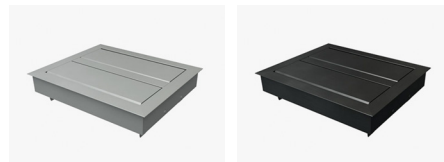
- One touch, back-to-back doors remain open during use
- Side 1: (2) power outlets, (1) USB A+C combo port, (1) blank, and (1) HDMI
- Side 2: (2) power outlets, (1) USB A+C combo port, (1) VGA, and (1) blank
- Voice/data adapter kit included
- Accommodates table thickness ¾" - 1¾"

## SPECIFICATIONS

- Available in white, silver and black powder coat
- (4) power outlets (2 per side); 15 amp, 110v each
- (2) USB-A+C combo ports (1 per side), 18w, 2 amp
- (1) HDMI with 18" HDMI pigtail
- (1) VGA with 120" VGA monitor cable
- (2) 6' power cord with 3-prong molded plug (one per side); 15 amp, 120v (plug models)
- (1) 6' metal conduit pigtail in-feed cable; 15 amp, 120v (hardwire models)
- UL<sup>®</sup> recognized

## MODEL #

NACG15BELPGW	8"D 9¾"W 1½"H	PLUG	WHITE
NACG15BELPGS	8"D 9¾"W 1½"H	PLUG	SILVER
NACG15BELPGB	8"D 9¾"W 1½"H	PLUG	BLACK
NACG15BELHCW	8"D 9¾"W 1½"H	HARDWIRE	WHITE
NACG15BELHCS	8"D 9¾"W 1½"H	HARDWIRE	SILVER
NACG15BELHCB	8"D 9¾"W 1½"H	HARDWIRE	BLACK



NATIONAL<sup>®</sup>

800.482.1717

[kimballinternational.com](http://kimballinternational.com)

©2024 Kimball International, Inc.

All rights reserved.

NISELM2X24

# Voice+Data Adaptor Kit

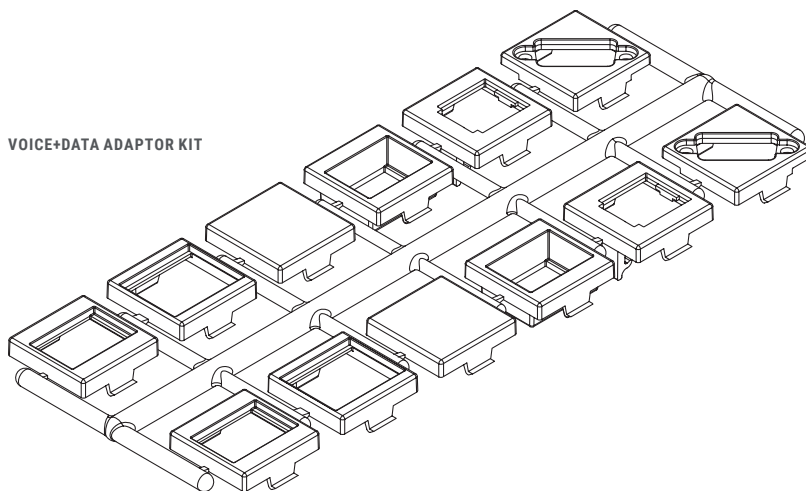
POWER+DATA SOLUTIONS

## FEATURES

- Provides adapters for a variety of manufacturer's jacks and couplers
- Allows jacks and couplers to be used in power/data centers
- Choose appropriate adapter from chart below, install jack or coupler, and snap into place in kit's modular windows
- Kit included with all power+data centers that require adaptors

## SPECIFICATIONS

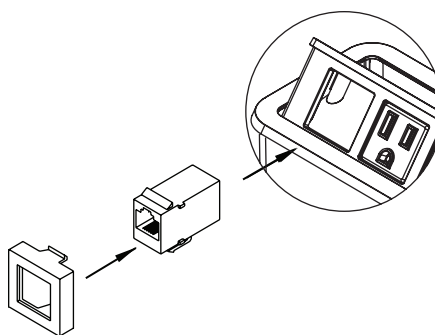
- 8 adaptors available (14 total)
- Select the appropriate BE01421 adaptor from chart below
- Jacks not included



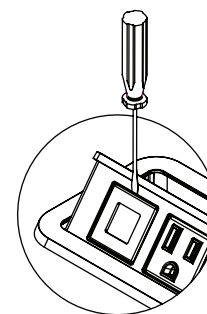
ADAPTOR	MANUFACTURER
BBB	SIEMON ZMAX STYLE HDMI ADAPTER CABLE
CCC	HUBBELL NEXTSPEED™ KEYSTONE SERIES ADC TRUENET SERIES
DDD	BLANK (NO COUPLER/JACK)
EEE	ORTONICS TRACJACK SERIES
FFF	PANDUIT MINI-COM SERIES
HHH	VIDEO MONITOR JACK/DB-15, PANEL MOUNT SOLDER STYLE

## INSTALLATION

- Snap jack into adaptor following the instructions provided with the jack
- Once assembled, snap adaptor into the notched, square holes in the orientation shown
- Adapter can be removed by small flat head screwdriver
- Note: Please verify fit of jack in adaptor before ordering large quantities as manufacturer designs may change without notice



ADAPTOR INSTALLATION



ADAPTOR REMOVAL

NATIONAL

800.482.1717  
kimballinternational.com  
©2024 Kimball International, Inc.  
All rights reserved.

NISELM2X24