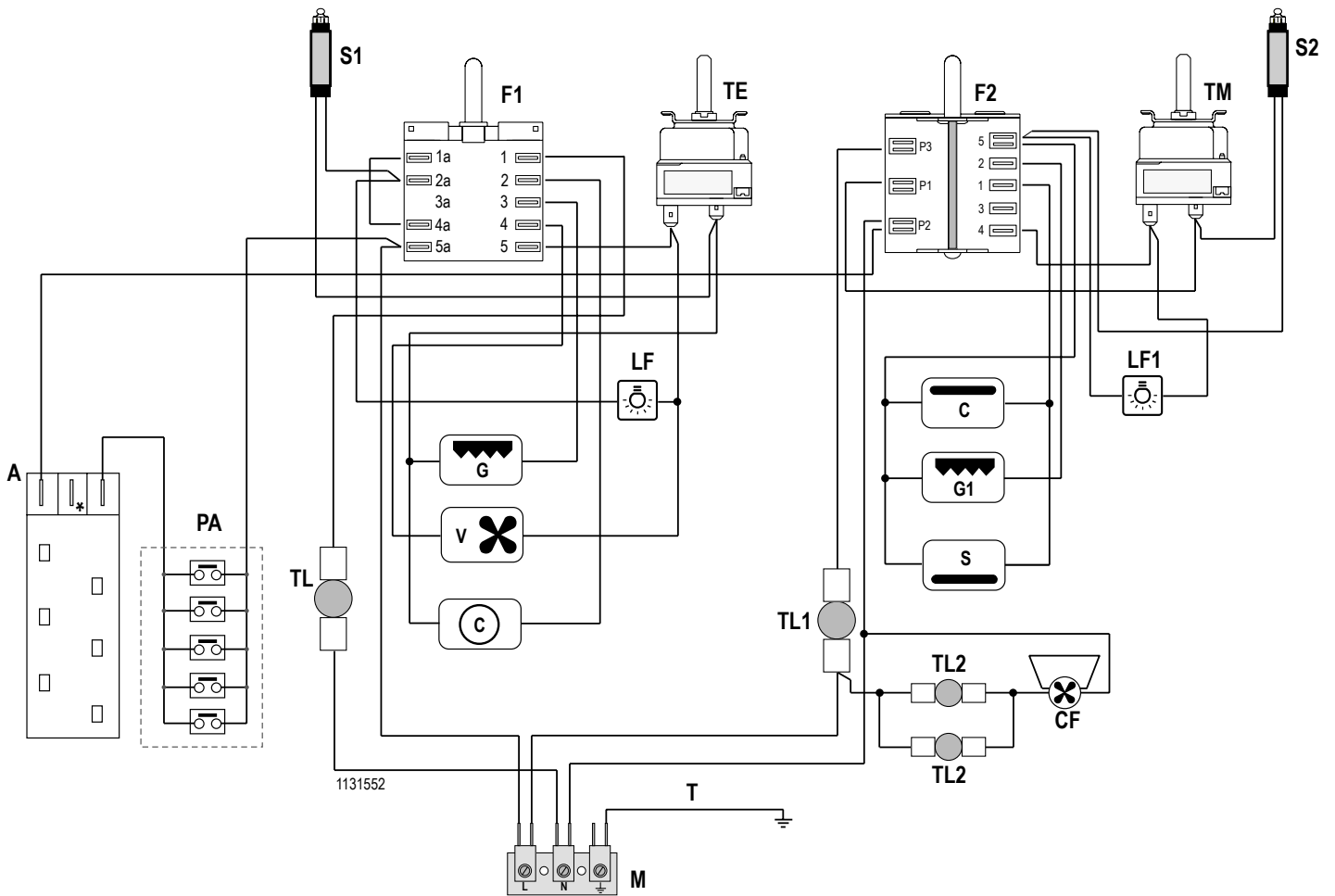


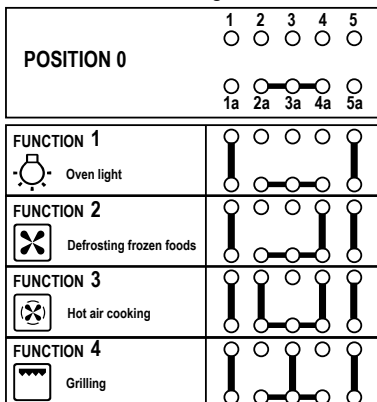
# WIRING DIAGRAM



## ELECTRIC DIAGRAM KEY

- F2 Top oven switch
- F1 Bottom oven switch
- TM Top oven thermostat
- TE Bottom oven thermostat
- LF1 Top oven lamp
- LF Bottom oven lamp
- CF Cooling fan
- TL2 Cooling fan thermal overload
- C Top element
- G1 Grill Element ( Top oven )
- S Bottom element
- CIR Circular element
- G Grill Element
- V Fan
- S1 Bottom oven thermostat lamp
- S2 Top oven thermostat lamp
- TL1 Top oven thermal overload
- TL Bottom oven thermal overload
- A Ignition coil
- PA Ignition switches group
- M Terminal block
- T Earth connection

### Bottom oven switch diagram



### Top oven switch diagram

