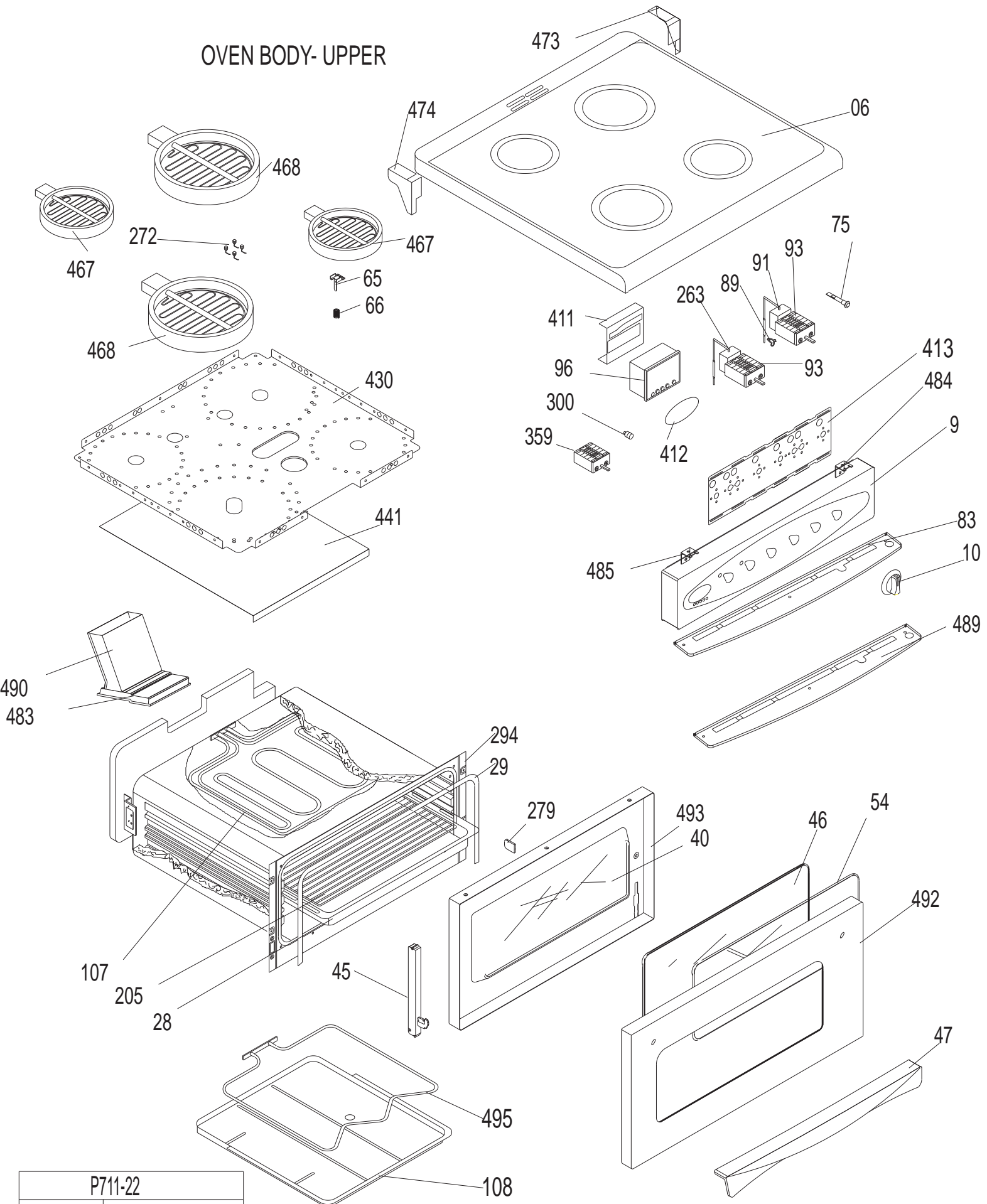


OVEN BODY- UPPER



P711-22	
TARİH	19.08.2002
REV.	0