

DOOSAN[®]

Portable Power

XP825 / HP750

Portable Air Compressor

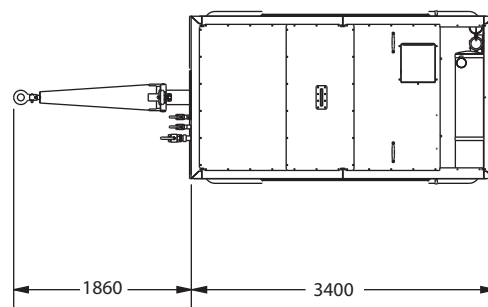
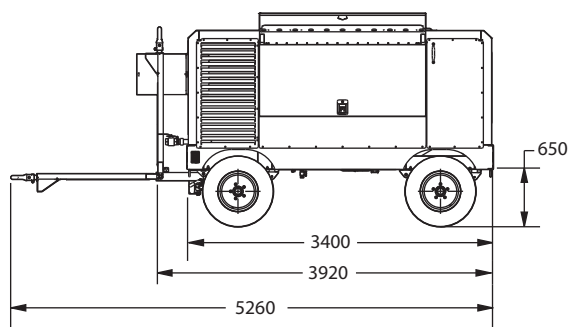
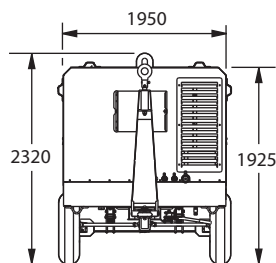


Wherever the job takes you, Doosan Portable Power compressors are there with reliable, undeniable performance. With Doosan Portable Power on your side, you can Make Power Moves.

DOOSAN[®]
Portable Power

Model	XP825 / HP750
Compressor	
Free air delivery - m ³ / min (cfm)	23.4 (825) / 21.2 (750)
Rated Operating Pressure - bar (psi)	8.6 (125) / 10.3 (150)
Safety valve setting - psi	13.8 (200)
Cooling	Oil
Oil capacity - litres	64
Maximum discharge temperature - °C	120
Engine	
Make	Cummins
Model	QSB6.7
No of cylinders	6
Full load speed (idle speed) - rpm	2175 (1300) / 2000 (1300)
Power - HP	194 (260) / 201 (270)
Electrical - volts	24
Cooling	Water
Fuel tank capacity - litres (gallons)	462 (122)
Air outlets BSPT (British Standard Pipe Thread)	1 X 2", 3 X 1 1/4 "
Tyres	
Tyre size	7.50 X 16
Number of wheels	4
Dimensions (With running gear)	
Overall length with towbar down - mm	5260
Overall length with towbar up - mm	3920
Overall width - mm	1950
Height - mm	2320
Ground clearance - mm	650
Shipping weight - kg	3900
Operating weight - kg	4085
Dimensions (On shipping support)	
Overall length - mm	3400
Width - mm	1950
Height - mm	1925
Shipping weight - kg	3350
Operating weight - kg	3745

- High performance, quiet running, fuel efficient electronic non emission Cummins engine
- Environmental contamination is minimised by a drip proof base which helps to minimize the spillage of fluids
- Integrated automatic safety shutdown features
- Quick and easy service access reduces maintenance time and life cycle operating cost
- "Coolbox" design ensures temperature remains no more than 11°C above outside air temperature for prolonged component life and short cool-down periods before maintenance
- All doors are lockable, with the lifting bail removable, reducing the risk of theft or vandalism
- Versatile platform offers Dual mode functionality with 125psi-825cfm / 150psi-750cfm to quell multiple applications with one machine



Product improvement is a continuous goal at Doosan. Design and specifications are subject to change without notice or obligation.