



Bobcat[®]

One Tough Animal

AGILE PRODUCTIVITY

TANDEM ROLLERS ATR12, ATR16 AND ATR20



NEXT
IS NOW.

We invented the compact equipment industry more than 60 years ago. And now we're reinventing it.

Bobcat's construction equipment has always set the standard for durability and reliability. So do our tandem rollers. Our Bobcat tandem rollers are available with off-set or in-line "one-side-free" configuration, making it possible to compact right next to walls and other obstacles. Their compact size makes them the ideal machine for working in cities or other tight spaces.

They are also equipped with our maintenance-free articulation joint and vibratory system, just like our bigger tandem roller models. A 15.6 kW Kubota engine provides the power to tackle all challenges on the job site.

For more information, contact your Bobcat partner – or find out more at: WWW.BOBCAT.COM

THE RIGHT FIT FOR YOUR JOB SITE

- ▶ Equipped with **oscillating articulation joint**
- ▶ **In-line "one-side-free"** or **off-set drums**
- ▶ **Best weight distribution on the market** guarantees continuous ground contact during compaction



In-line "one-side-free" configuration

BUILT TO LAST

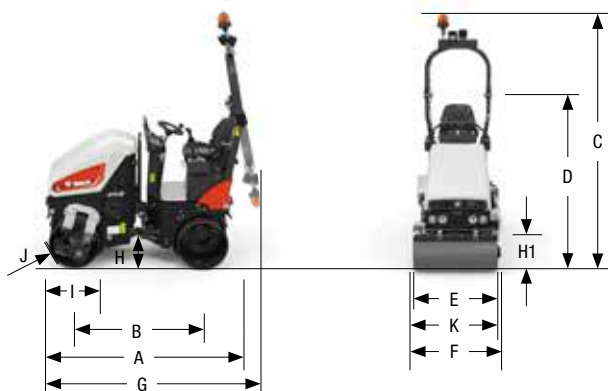
- ▶ **Highest quality** heavy-duty components and protective covers
- ▶ **Maintenance-free** vibratory system and articulation joint
- ▶ **Reduced cost of ownership** and **maximum uptime**

INTUITIVE CONTROLS

- ▶ **Adjustable drive modes** for **superior controllability**
- ▶ Easy-to-understand and **highly intuitive dashboard**
- ▶ Integrated **multifunctional display** communicates all key information to the operator
- ▶ Activation of **vibratory** and **sprinkling system** through ergonomic travel lever

MAXIMUM OPERATOR COMFORT

- ▶ Rubber-mounted operator platform
- ▶ Two programmable **drive modes** (soft drive / hard drive)
- ▶ **All-day operator comfort** and **maximum visibility**



SPECIFICATIONS

	ATR12	ATR16	ATR20
DIMENSIONS			
A Machine length	2 140 mm		
B Wheel base	1 440 mm		
C Machine height	2 400 mm		
D Machine height (folded ROPS)	1 830 mm		
E Drum width	820 mm	900 mm	1 000 mm
F Working width with offset	860 mm	950 mm	1 050 mm
G Machine length (folded ROPS)	2 330 mm		
H Ground clearance	230 mm		
H1 Side clearance	370 mm		
I Drum diameter	580 mm		
J Drum shell thickness	13 mm		
K Machine width (total)	865 mm	947 mm	1 050 mm
WEIGHT AND OPERATING CHARACTERISTICS			
Operating weight CECE	1 460 kg	1 510 kg	1 570 kg
Operating weight max.	1 850 kg		
Static linear load of front drum	8.4 kg/cm	7.9 kg/cm	7.8 kg/cm
Static linear load of rear drum	9.4 kg/cm	9.0 kg/cm	9.6 kg/cm
Turning radius inside	2 100 mm	2 210 mm	2 060 mm
Steering / oscillating angle	30 / 6 ±°		
Drum offset	40 mm	50 mm	50 mm
ENGINE			
Engine	Kubota D1105-EF07 (EU Stage V)		
Engine output (SAE J1995)	15.6 kW (20.9 HP)		
Cylinder / Displacement	3 / 1 123 cm³		
Nominal speed	2 400 / 2 600 RPM		
Travel speed	8.1 km/h	8.1 km/h	8.4 km/h
Gradeability with / without vibration	30% / 35%		
COMPACTION FORCES			
Amplitude I	0.5 mm		
Amplitude II	0.5 mm		
Frequency I	58 Hz		
Frequency II	66 Hz		
Centrifugal force I	19 kN	20 kN	21 kN
Centrifugal force II	22 kN	23 kN	24 kN
MISCELLANEOUS			
Battery / Capacity	12 V / 77 Ah		
Water tank capacity	110 l		
Hydraulic oil tank capacity	28.5 l		
Fuel tank capacity	24 l		

Specifications can change without notice. Specifications for your Bobcat equipment may vary based on variations in design and working conditions.

FIND OUT MORE AT
WWW.BOBCAT.COM



Bobcat®



Bobcat®

One Tough Animal.

AGILE PRODUCTIVITY

TANDEM ROLLERS ATR23 AND ATR26

NEXT
IS NOW.



We invented the compact equipment industry more than 60 years ago. And now we're reinventing it.

Bobcat's construction equipment has always set the standard for durability and reliability. So do our tandem rollers. Bobcat tandem rollers are equipped with a maintenance-free articulation joint, enabling quick drum adjustments depending on the job site needs. These rollers are ideal for both contractors and rental companies, thanks to their intuitive controls and low-maintenance needs. Featuring a new 19 kW Kubota engine, machine owners will benefit from the reduced maintenance, high marketability and residual value of these rollers.

For more information, contact your Bobcat partner – or find out more at: WWW.BOBCAT.COM

THE RIGHT FIT FOR YOUR JOB SITE

- ▶ Equipped with **oscillating articulation joint**
- ▶ **In-line or off-set drums**
- ▶ **Best weight distribution on the market** guaranteeing continuous ground contact during compaction

BUILT TO LAST

- ▶ **Highest quality** heavy-duty components and protective covers
- ▶ **Maintenance-free** vibratory system and articulation joint
- ▶ **Reduced cost of ownership** and **maximum uptime**

INTUITIVE CONTROLS

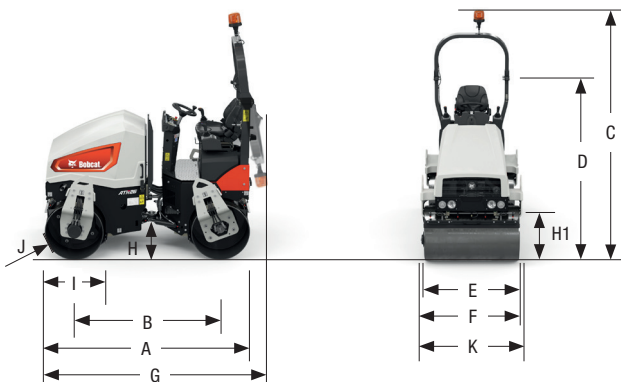
- ▶ **Ease of use** and **superior controllability** – even for less experienced operators
- ▶ Easy-to-understand and **highly intuitive dashboard**
- ▶ Integrated **multifunctional display** communicates all key information to operator
- ▶ Activation of **vibratory** and **sprinkling system** through ergonomic travel lever

MAXIMUM OPERATOR COMFORT

- ▶ Rubber-mounted operator platform
- ▶ Two programmable **drive modes** (soft drive / hard drive)
- ▶ **All-day operator comfort** and **maximum visibility**

COMPACTION MEASUREMENT SYSTEM

- ▶ Available option for precise real-time compaction measurement
- ▶ **Real-time feedback** on soil stiffness
- ▶ Eliminates unnecessary passes, saves time and money



SPECIFICATIONS

	ATR23	ATR26
DIMENSIONS		
A Machine length	2 500 mm	
B Wheel base	1 740 mm	
C Machine height	2 550 mm	
D Machine height (folded ROPS)	1 935 mm	
E Drum width	1 000 mm	1 200 mm
F Working width with offset	1 040 mm	1 240 mm
G Machine length (folded ROPS)	2 585 mm	
H Ground clearance	280 mm	
H1 Side clearance	490 mm	
I Drum diameter	695 mm	
J Drum shell thickness	13 mm	
K Machine width (total)	1 130 mm	1 350 mm
WEIGHT AND OPERATING CHARACTERISTICS		
Operating weight CECE	2 260 kg	2 460 kg
Operating weight max.	2 495 kg	2 655 kg
Static linear load of front drum	10.7 kg/cm	9.8 kg/cm
Static linear load of rear drum	10.9 kg/cm	10.7 kg/cm
Turning radius inside	2 630 mm	2 540 mm
Steering / oscillating angle	30 / 6.5 ±°	
Drum offset	40 mm	
ENGINE		
Engine	Kubota D1703-M-DI (EU Stage V)	
Engine output (ISO 3046)	18.5 kW (24.8 HP)	
Cylinder / Displacement	3 / 1 647 cm ³	
Nominal speed	2 100 / 2 400 RPM	
Travel speed	10 km/h	
Gradeability with / without vibration	25% / 30%	
COMPACTION FORCES		
Amplitude I	0.5 mm	
Amplitude II	0.5 mm	
Frequency I	58 Hz	
Frequency II	66 Hz	
Centrifugal force I	31.4 kN	36.4 kN
Centrifugal force II	36.9 kN	42.8 kN
MISCELLANEOUS		
Battery / Capacity	12 V / 77 Ah	
Water tank capacity	190 l	
Hydraulic oil tank capacity	28.5 l	
Fuel tank capacity	35 l	

Specifications can change without notice. Specifications for your Bobcat equipment may vary based on variations in design and working conditions.

FIND OUT MORE AT
WWW.BOBCAT.COM



Bobcat®