

SERVICE SCHEDULE

Maintenance Intervals

Maintenance work must be done at regular intervals. Failure to do so will result in excessive wear and early failures.

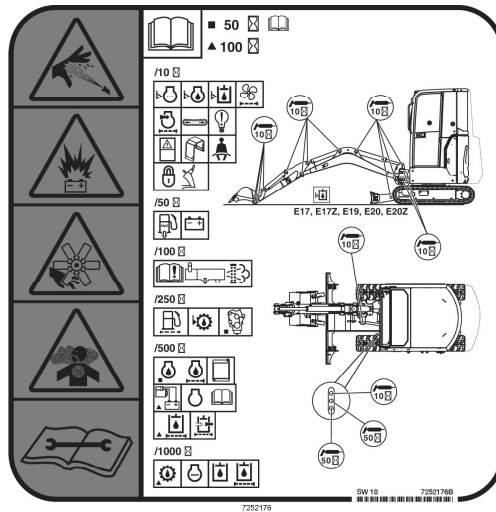
The service schedule decal is a guide for correct maintenance of the Bobcat excavator.

The maintenance items listed under the maintenance intervals on the following pages are the required tasks to be performed. Those items provide additional details and include maintenance that is not shown on the decal.

All maintenance intervals are for machines operating in general environmental conditions. Keep in mind that filter and oil life can be reduced:

- When machines are operating in high dust environments or extreme temperature applications,
- When fuel is taken from uncontrolled storage tanks,
- When other non-standard conditions exist.

For more details, contact your Bobcat dealer.



⚠ WARNING

INSUFFICIENT INSTRUCTIONS HAZARD

Untrained operators or failure to follow instructions can cause serious injury or death.

- Read and understand the Operation & Maintenance Manual, Operator's Handbook and decals on machine.
- Follow warnings and instructions in the manuals when making repairs, adjustments or servicing.
- Check for correct function after adjustments, repairs or service. ◀

Every 10 Hours (Before Starting The Machine)

Engine Oil	Check level and add as needed. (See Page 107)
Engine Air Filters and Air System	Check air cleaner condition indicator. Service only when required. Check for leaks and damaged components. (See Page 102)
Fuel Filters	Check filters for moisture or contamination. Drain and replace as needed. (See Page 104)
Engine Cooling System	Check coolant level cold and add premixed coolant as needed. (See Page 109)
Hydraulic Fluid	Check fluid level and add as needed. (See Page 117)
Seat Belt, Seat Belt Retractors, Seat Belt Mounting Hardware, Control Console Lockout	Check the condition of seat belt and mounting hardware. Clean or replace seat belt retractors as needed. Check the control console lockout lever for proper operation. Clean dirt and debris from moving parts. (See Page 96)

Motion Alarm and Horn (if equipped)	Check for proper function. (See Page 97)
Canopy / Cab	Check the canopy / cab condition and mounting hardware. (See Page 34)
Cab Filters	Clean filters (if equipped). (See Page 101)
Indicators and Lights	Check for correct operation of all indicators and lights.
Safety Signs and Safety Tread	Check for damaged signs (decals). Replace any signs that are damaged. (See Page 17)
Track Tension	Check tension and adjust as needed. (See Page 121)
Pivot Points	Grease all machinery pivot points. Grease track expansion. Grease clamp (if equipped). (See Page 125)
Attachment Coupler	Check for damage or loose parts (if equipped).

First 50 Hours

Drive Belts (Alternator)	Check condition. Replace as needed. (See Page 123)
Engine Oil and Filter	Replace oil and filter. (See Page 107)

Every 50 Hours

Swing Bearing	Grease swing bearing and swing pinion. Service every 10 hours when operating in water. (See Page 125)
Battery	Check cables and connections. (See Page 112)
Fuel Tank	Drain water and sediment from fuel tank and fuel filter. (See Page 104)

First 100 Hours

Alternator and Starter	Check connections.
Hydraulic Filter	Replace the hydraulic filter. (See Page 117)

Every 100 Hours

Spark Arrester	Empty spark chamber. (See Page 120)
----------------	-------------------------------------

Every 250 Hours Or Every 12 Months

Fuel Filter	Replace fuel filter. (See Page 104)
Travel Motors (Final Drive)	Check fluid level. Add as needed. (See Page 122)
Drive Belts (Alternator)	Check condition. Replace as needed. (See Page 117)

Every 500 Hours Or Every 12 Months

Engine Oil and Filter	Replace oil and filter. (See Page 107)
Engine Cooling System	Clean debris from radiator / hydraulic fluid cooler. (See Page 109)
Hydraulic Filter and Hydraulic Reservoir Breather Cap	Replace hydraulic filter and reservoir breather cap. (See Page 117)
Alternator and Starter	Check connections.
Heater	Clean housing and coils (if equipped). (See Page 101)

Every 1000 Hours Or Every 12 Months

Hydraulic Fluid and Filters	Replace hydraulic fluid and filters. (See Page 117)
Engine Valves	Adjust engine valve clearance.
Travel Motors (Final Drive)	Replace fluid. (See Page 122)

Every 24 Months

Engine Cooling System	Replace the coolant. (See Page 109)
-----------------------	-------------------------------------

CONTROL CONSOLE LOCKOUTS

Inspecting And Maintaining The Control Console Lockouts

Figure 170



When the left console is raised [Figure 170], the hydraulic joysticks and traction system must not function.

1. Sit in the operator's seat, fasten the seat belt, and start the engine.
2. Keep the left console raised [Figure 170].
3. Move the joysticks.
There should be no movement of the boom, arm, slew, or bucket.
4. Move the steering control levers.
There should be no movement of the excavator tracks.

If these controls do not deactivate when the left console is raised, see your Bobcat dealer for service.

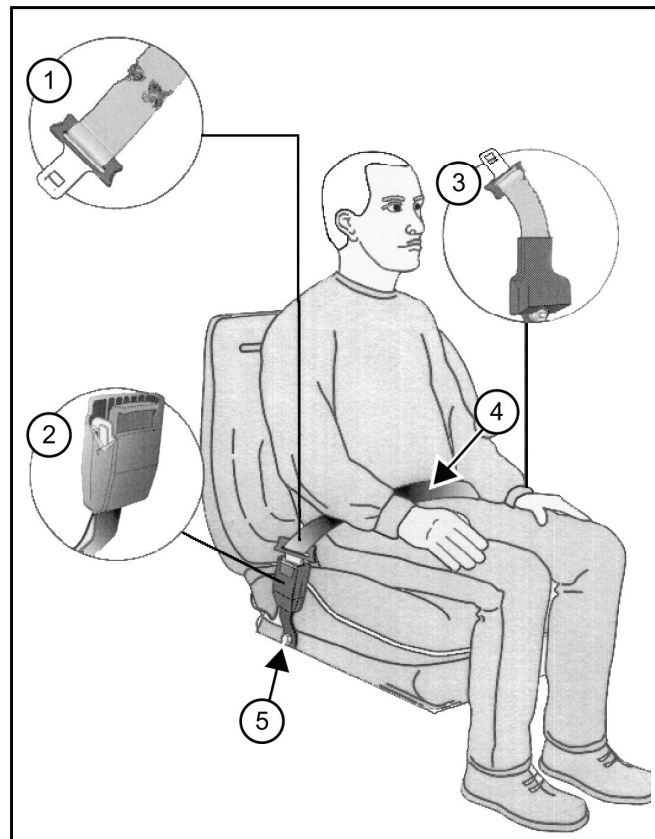
SEAT BELT

Inspecting And Maintaining The Seat Belt

⚠ WARNING

GENERAL HAZARD
Failure to properly inspect and maintain the seat belt can cause lack of operator restraint resulting in serious injury or death.*

Figure 171



Check the seat belt daily for correct function. Inspect the seat belt system thoroughly at least once each year or more often if the machine is exposed to severe environmental conditions or applications.

The items below are referenced in [Figure 171].